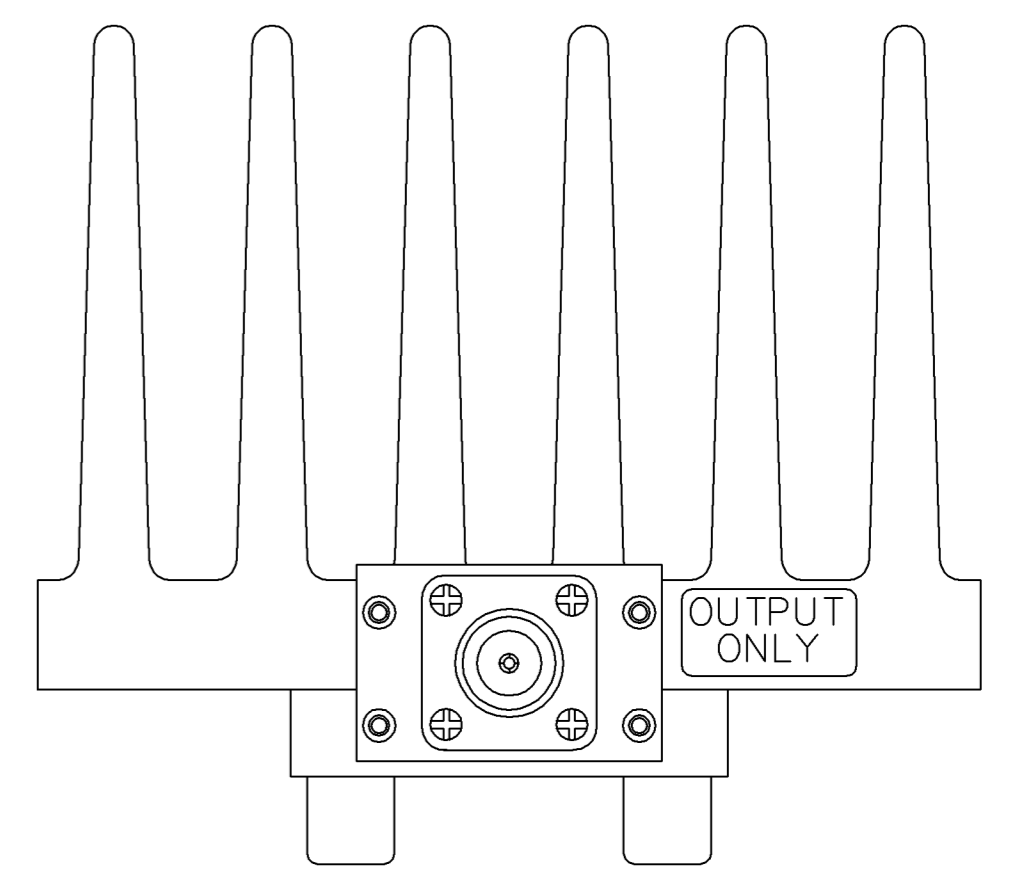
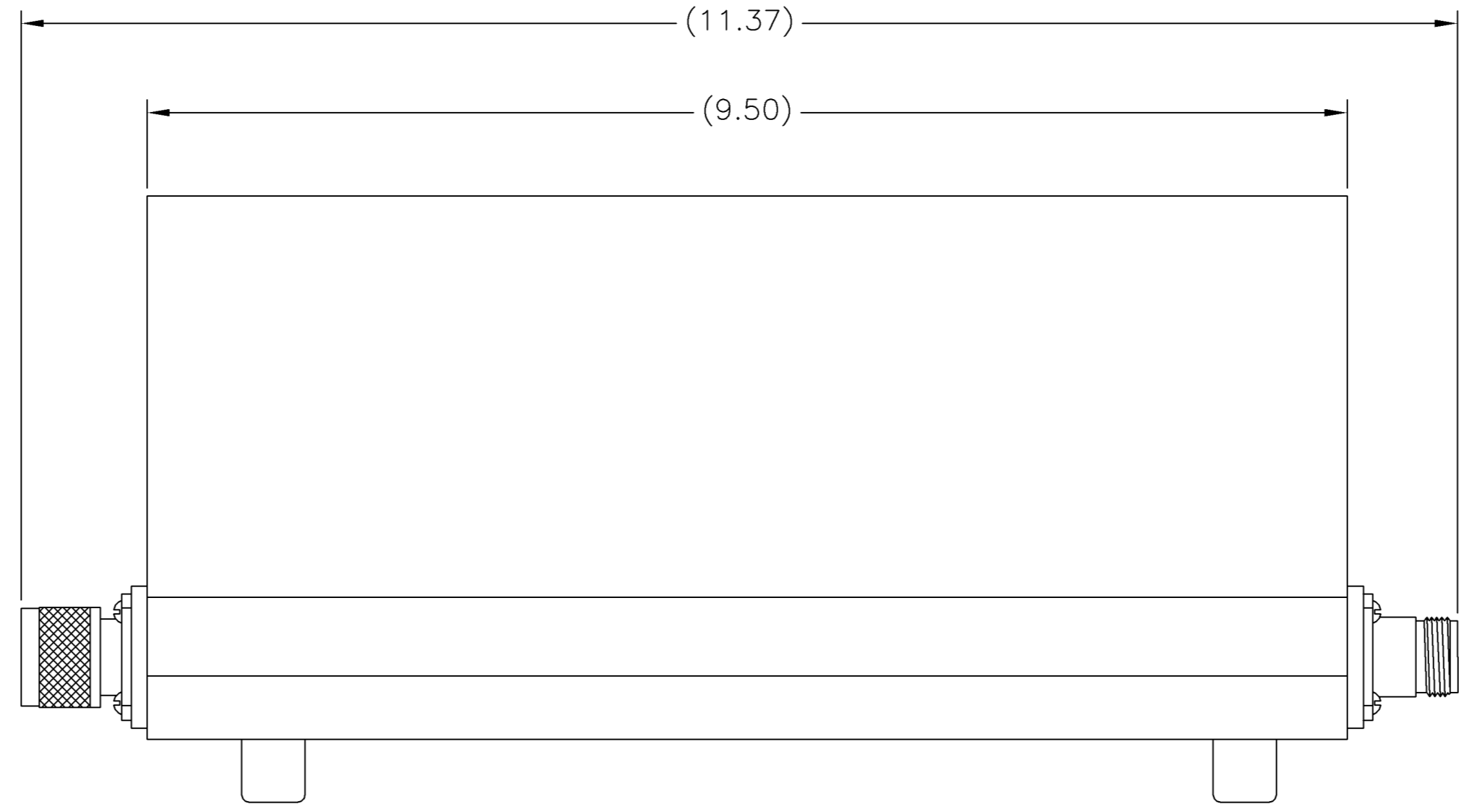
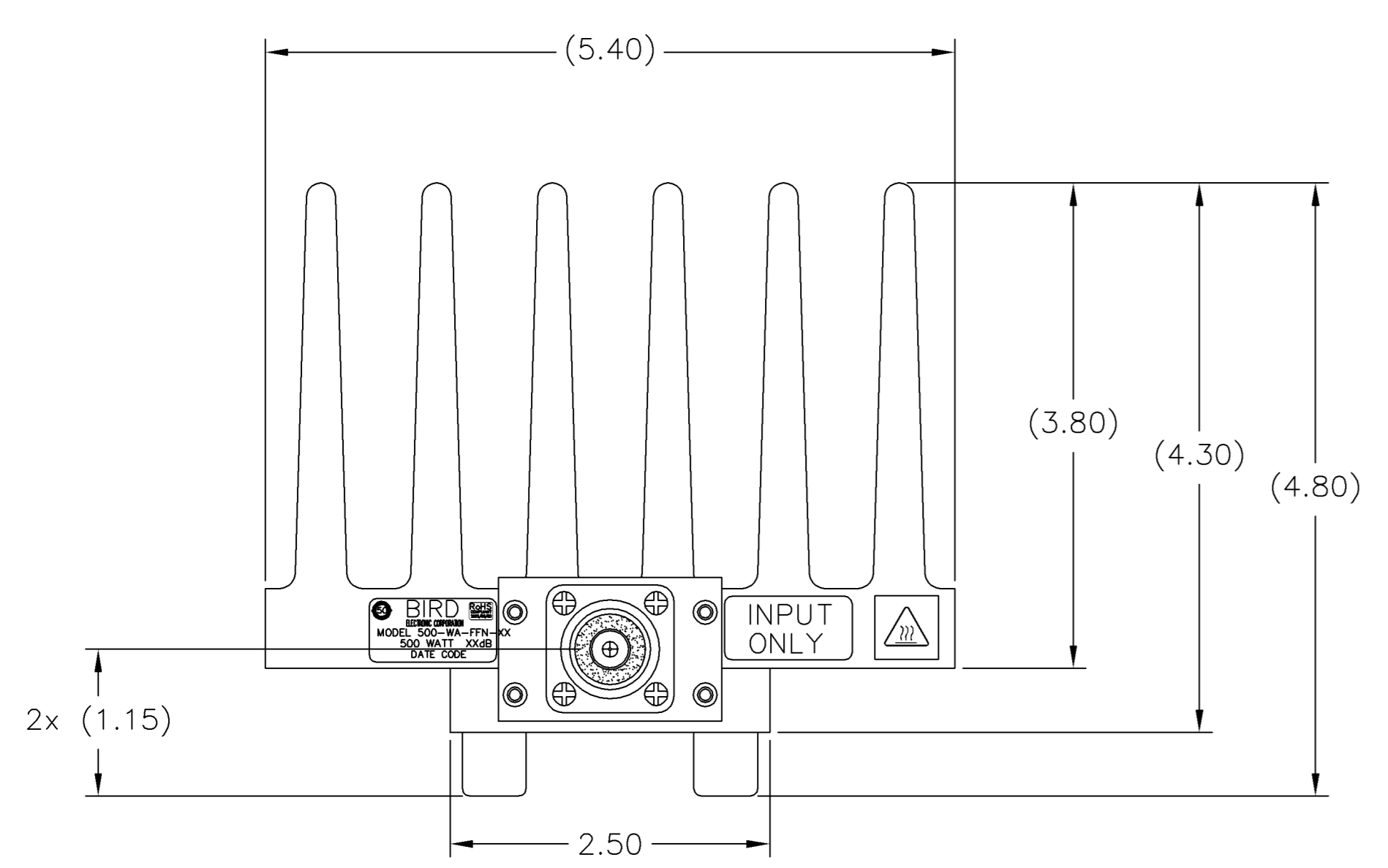


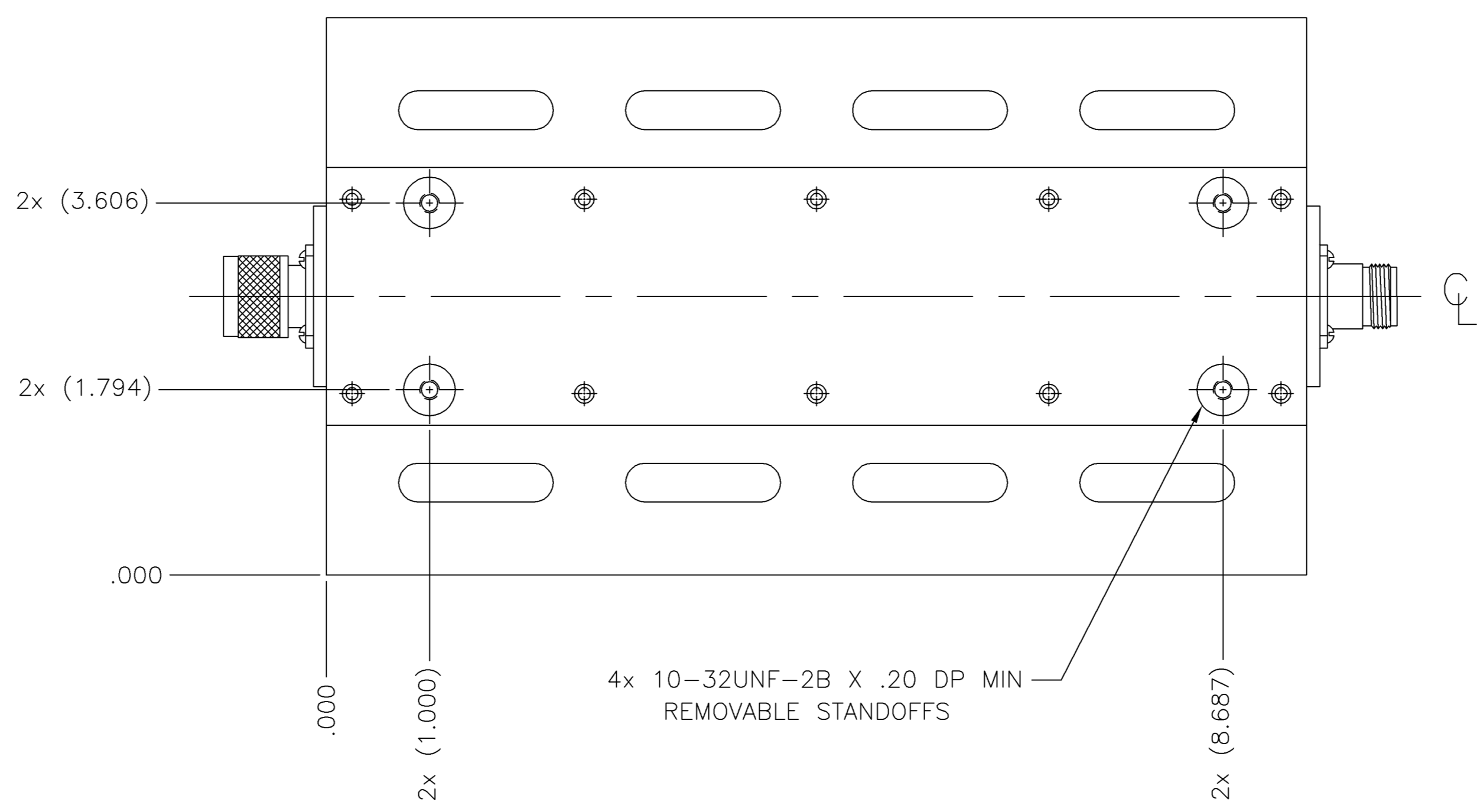
REVISIONS			
REV	DESCRIPTION	DATE	APPROVED
A	ECN# 0203	10-19-98	M.R.V.
B	ADD 40dB TO TABLE ECO 13465	3-31-08	DMD



XX = DASH NUMBER (dB VALUE)

-40	40	±1.0 dB	±2.0 dB
-30	30	±0.8 dB	±1.3 dB
-20	20	±0.5 dB	±1.0 dB
-10	10	±0.4 dB	±0.8 dB
-06	6	±0.4 dB	±0.6 dB
-03	3	±0.3 dB	±0.5 dB
DASH NO.	dB ATTEN.	ATTENUATOR DC - 1GHz	ACCURACY ±dB 1 - 2.5GHz

NOTE:
FOR VALUES NOT LISTED, REFER TO THE NEXT HIGHER ATTENUATION LEVEL FOR SPECIFICATIONS, UNLESS OTHERWISE SPECIFIED.



SPECIFICATIONS:
 IMPEDANCE: 50 OHMS NOMINAL
 FREQUENCY RANGE: DC TO 2.5GHz
 VSWR: DC TO 1GHz AT 1.10:1 MAX.
 1GHz TO 2.5 GHz AT 1.25:1 MAX.
 POWER RATING: 500 WATTS AVG. (UNI-DIRECTIONAL) AT 25°C AMBIENT
 DERATED LINEARLY TO 50 WATTS AT 125°C.
 COOLING FIN: ALUMINUM, BLACK ANODIZED
 COVER: ALUMINUM, BLACK ANODIZED
 CONNECTORS: N-TYPE MALE/FEMALE, TRI-ALLOY PLATED
 OPERATING POSITION: ANY POSITION EXCEPT MOUNTING SURFACE UP
 NOMINAL SIZE: APPROX. 11.37" L X 5.40" W X 4.80" H
 WEIGHT: APPROX. 7.9 LBS

DIMENSIONS HEREON ARE FOR CUSTOMER CONVENIENCE AND REFERENCE ONLY. TOLERANCE TO BE APPLIED ONLY WHERE INDIVIDUALLY STATED ON THE RESPECTIVE DIMENSION. -DO NOT SCALE DRAWING-

UNLESS OTHERWISE SPECIFIED DIMENSIONS ARE IN INCHES		APPROVALS		DATE	
TOLERANCES ARE:		DRN	DMD	5-19-98	
FRACTIONS ±1/64	DECIMALS .xx = ±0.10 .xxx = ±0.005	CHK			
ANGLES ±30°	MILLIMETERS .x = ±.4 .xxx = ±.12	APP	M. VERDERBER	2-7-03	
DO NOT SCALE DRAWING		MATERIAL	CODE	TITLE	
THIS DRAWING IS THE PROPERTY OF THE BIRD TECHNOLOGIES GROUP OR BIRD ELECTRONIC CORPORATION. THE DESIGNS AND SPECIFICATIONS DISCLOSED HEREIN ARE PROPRIETARY AND SHALL NOT BE REPRODUCED, NOR COPIED, NOR USED AS THE BASIS FOR THE MANUFACTURE OR SALE OF APPARATUS OR DEVICES WITHOUT THEIR EXPRESS WRITTEN CONSENT.		FINISH	CODE	ATTENUATOR, CONNECTION COOLED, N-TYPE MALE/FEMALE, 500W	
FSCM NO. 70998	SCALE 1:1	PRN/LB	AUTOCAD	COMM CODE AT1	REV B
			SHEET	1 OF 1	