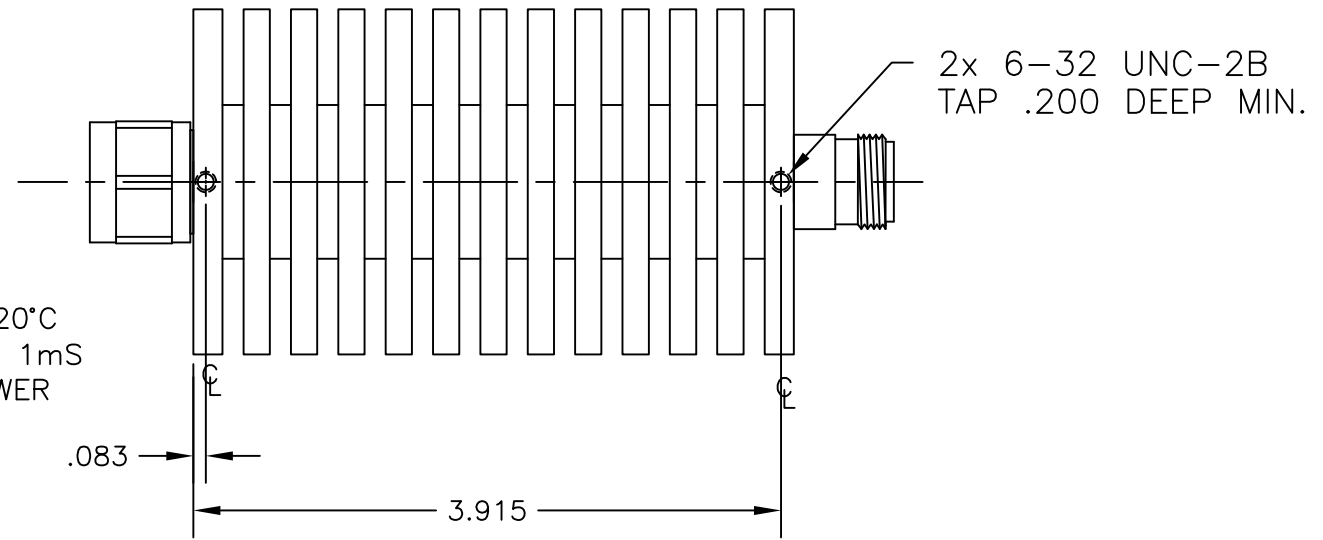
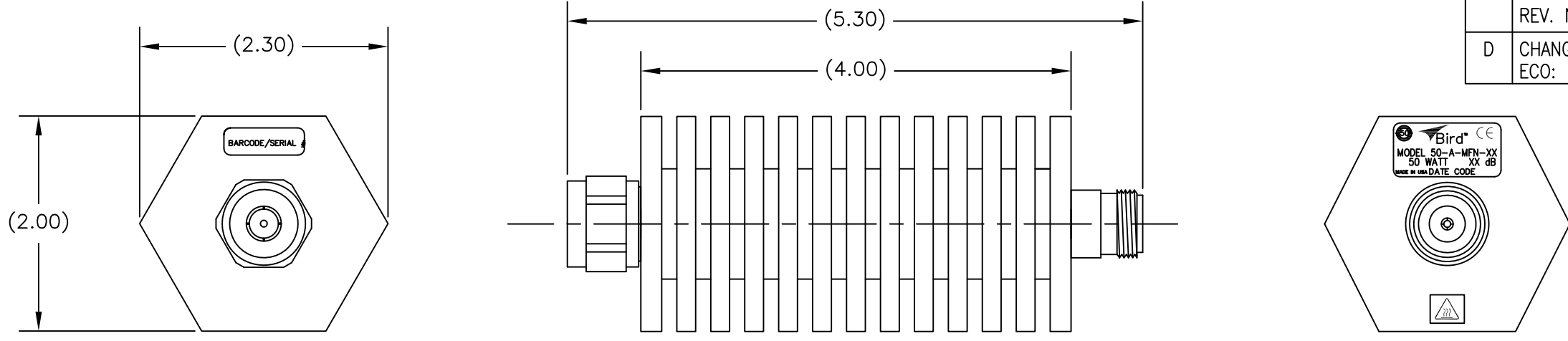


| REVISIONS |   |          |                        |
|-----------|---|----------|------------------------|
| REV       | DESCRIPTION   | DATE     | APPROVED               |
| B         | UPDATE LABEL & FINS/ECO 12900 dmr                             | 7-10-07  | DMD                    |
| C         | CORRECT OVERALL DIM. WAS (4.30)<br>REV. N-CONN. ECO: 14576/HS | 10-24-11 | DMD                    |
| D         | CHANGE FREQUENCY RANGE, LABELING<br>ECO: 15991/NA             | 3-2-17   | <i>Nik</i><br>Nik Azim |



NOTE:  
FOR VALUES NOT LISTED, REFER TO THE NEXT HIGHER ATTENUATION LEVEL FOR SPECIFICATIONS. FOR ATTENUATION VALUES GREATER THAN THE HIGHEST LISTED ATTENUATION VALUE, REFER TO THE VALUE 1/2 THE DESIRED ATTENUATION LEVEL, THEN DOUBLE THE LISTED SPECIFICATION VALUES, UNLESS OTHERWISE SPECIFIED.

XX = DASH NUMBER (dB VALUE)

|          |           |                               |                |
|----------|-----------|-------------------------------|----------------|
| -30      | 30        | ±0.8 dB                       | ±1.3 dB        |
| -20      | 20        | ±0.5 dB                       | ±1.0 dB        |
| -10      | 10        | ±0.4 dB                       | ±0.8 dB        |
| -06      | 6         | ±0.4 dB                       | ±0.6 dB        |
| -03      | 3         | ±0.3 dB                       | ±0.5 dB        |
| -02      | 2         | ±0.3 dB                       | ±0.5 dB        |
| -01      | 1         | ±0.3 dB                       | ±0.5 dB        |
| DASH NO. | dB ATTEN. | DC - 1GHz ATTENUATOR ACCURACY | 1 - 3.0GHz ±dB |

**SPECIFICATIONS:**  
 ATTENUATION VALUE/ACCURACY: SEE TABLE  
 IMPEDANCE: 50 OHMS NOMINAL  
 POWER RATING: 50 CW AT 40°C  
 60 CW AT 25°C  
 -DERATED LINEARLY TO 0 WATTS FROM 40°C TO 120°C  
 PEAK POWER: 2.5kW MAX, PULSES NOT TO EXCEED 1mS  
 -DUTY CYCLE NOT TO EXCEED AVERAGE RATED POWER  
 FREQUENCY RANGE & VSWR:  
 DC TO 1 GHz AT 1.10:1 MAX.  
 1 GHz TO 3 GHz AT 1.25:1 MAX.  
 CONNECTORS: N-TYPE MALE/FEMALE  
 OPERATING POSITION: ANY (CONVECTION COOLED)  
 AMBIENT TEMPERATURE: -40°C TO +40°C  
 OPERATING TEMPERATURE: -40°C TO +120°C  
 HUMIDITY: 95% NON-CONDENSED  
 WEIGHT: APPROX. 1.0 LBS

**MATERIALS:** ALL RoHS COMPLIANT  
 CONNECTOR BODY: BRASS  
 HOUSING/COVER: ALUMINUM  
 COOLING FIN: ALUMINUM  
 CONTACT: BRASS OR BERYLLIUM COPPER  
 INSULATOR: TEFLON (PTFE)  
**FINISH:** ALL RoHS COMPLIANT  
 CONNECTOR BODY/HOUSING/COVER: TRI-METAL  
 COOLING FIN: BLACK ANODIZE  
 CONTACT: SILVER OR GOLD PLATED

DIMENSIONS HEREON ARE FOR CUSTOMER CONVENIENCE AND REFERENCE ONLY. TOLERANCE TO BE APPLIED ONLY WHERE INDIVIDUALLY STATED ON THE RESPECTIVE DIMENSION. -DO NOT SCALE DRAWING-

|   |               |         |   |
|---|---------------|---------|---|
| UNLESS OTHERWISE SPECIFIED DIMENSIONS ARE IN INCHES<br>TOLERANCES ARE:<br>FRACTIONS ±1/64 DECIMALS .XX= ±.010 .XXX= ±.005<br>ANGLES ±30' MILLIMETERS .X= ±.4 .XX= ±.12<br>DO NOT SCALE DRAWING  | APPROVALS     | DATE    |   |
|   | DRN DMD       | 11-8-02 |   |
| THIS DRAWING IS THE PROPERTY OF THE BIRD TECHNOLOGIES GROUP OR BIRD ELECTRONIC CORPORATION. THE DESIGNS AND SPECIFICATIONS DISCLOSED HEREON ARE PROPRIETARY AND SHALL NOT BE REPRODUCED, NOR COPIED, NOR USED AS THE BASIS FOR THE MANUFACTURE OR SALE OF APPARATUS OR DEVICES WITHOUT THEIR EXPRESS WRITTEN CONSENT. | CHK           |         | <b>Bird</b><br>TITLE ATTENUATOR, CONVECTION COOLED, N-TYPE MALE/FEMALE, 50W                           |
|   | APP MARK V    | 6-23-03 |   |
|   | MATERIAL CODE |         | B FSCM NO. 70998 SCALE 1:1 DWG. NO. 50-A-MFN-XX REV D<br>PROJ./LIB AUTOCAD COMM CODE AT1 SHEET 1 OF 1 |
|   | FINISH CODE   |         |   |