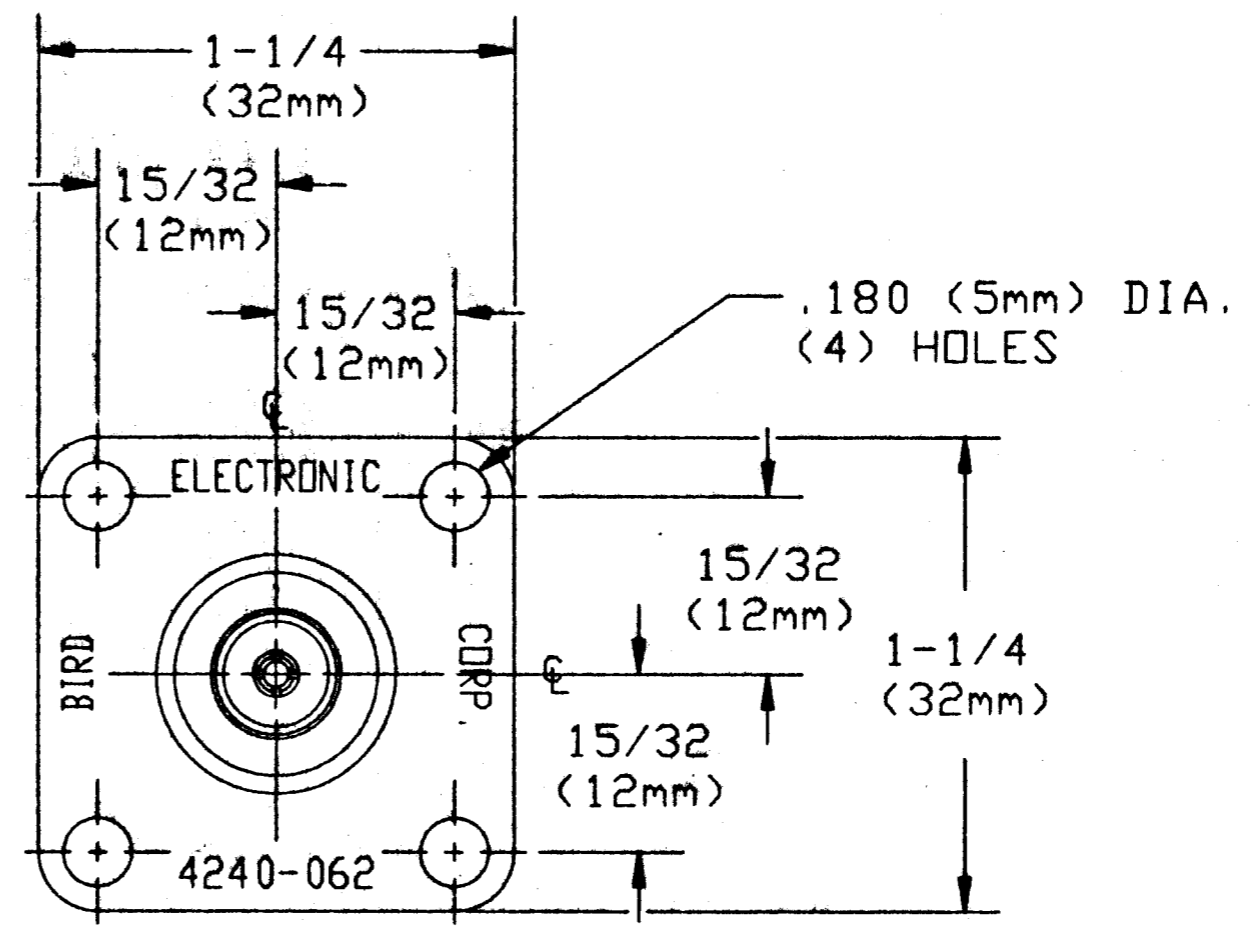
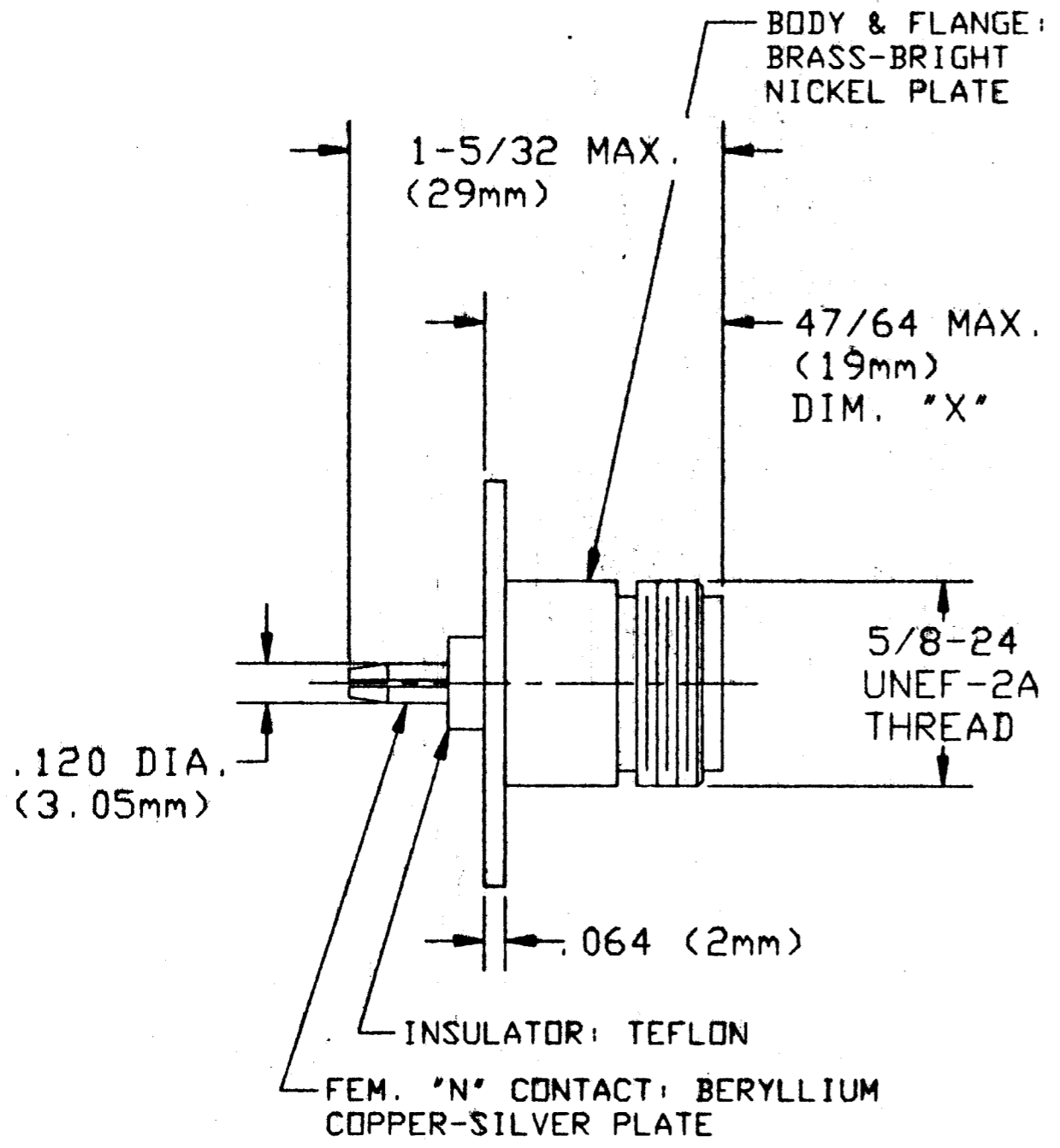



□/L4240-062  
DWG. NO. 1 OF 1

REVISIONS			
LTR.	SECTION	DESCRIPTION	DATE
D		ADDED UNEF-2A THD. G.C.	5-28-69



MATERIAL AND FINISHES AS NOTED ON PARTS

UNLESS OTHERWISE SPECIFIED TOLERANCES ON FRACTIONAL INCHES ±1/64 DECIMAL INCHES ±.005 ANGLES ±30' 1 PLACE MILLIMETERS ±.4 2 PLACE MILLIMETERS ±.12 - DO NOT SCALE DRAWING THIS DRAWING IS THE PROPERTY OF THE BIRD ELECTRONIC CORPORATION. THE DESIGNS AND SPECIFICATIONS DISCLOSED HEREON IS PROPRIETARY AND SHALL NOT BE REPRODUCED, NOR COPIED, NOR USED AS THE BASIS FOR THE MANUFACTURE OR SALE OF APPARATUS OR DEVICES WITHOUT THEIR EXPRESS WRITTEN CONSENT.	ITEM	REQ.	DRAWING NO.	DESCRIPTION
	MATL:		 <b>BIRD Electronic Corporation</b> Cleveland (Solon) Ohio USA	DESCRIPTION:
	SEE ABOVE			CONNECTION, QC, F-N/OUTLINE
	DRAWN D.L.A. 11-2-92		FINISH:	
CHECKED D.L.A. 11-2-92		SEE ABOVE		ITEM TYPE:
APPROVED D.L.A. 11-2-92		CODE IDENT. NO. 70998		COM. CD. CA1
SIZE <b>B</b>			DRAWING NO. □/L4240-062	
			DRAWING NO. 1 OF 1	