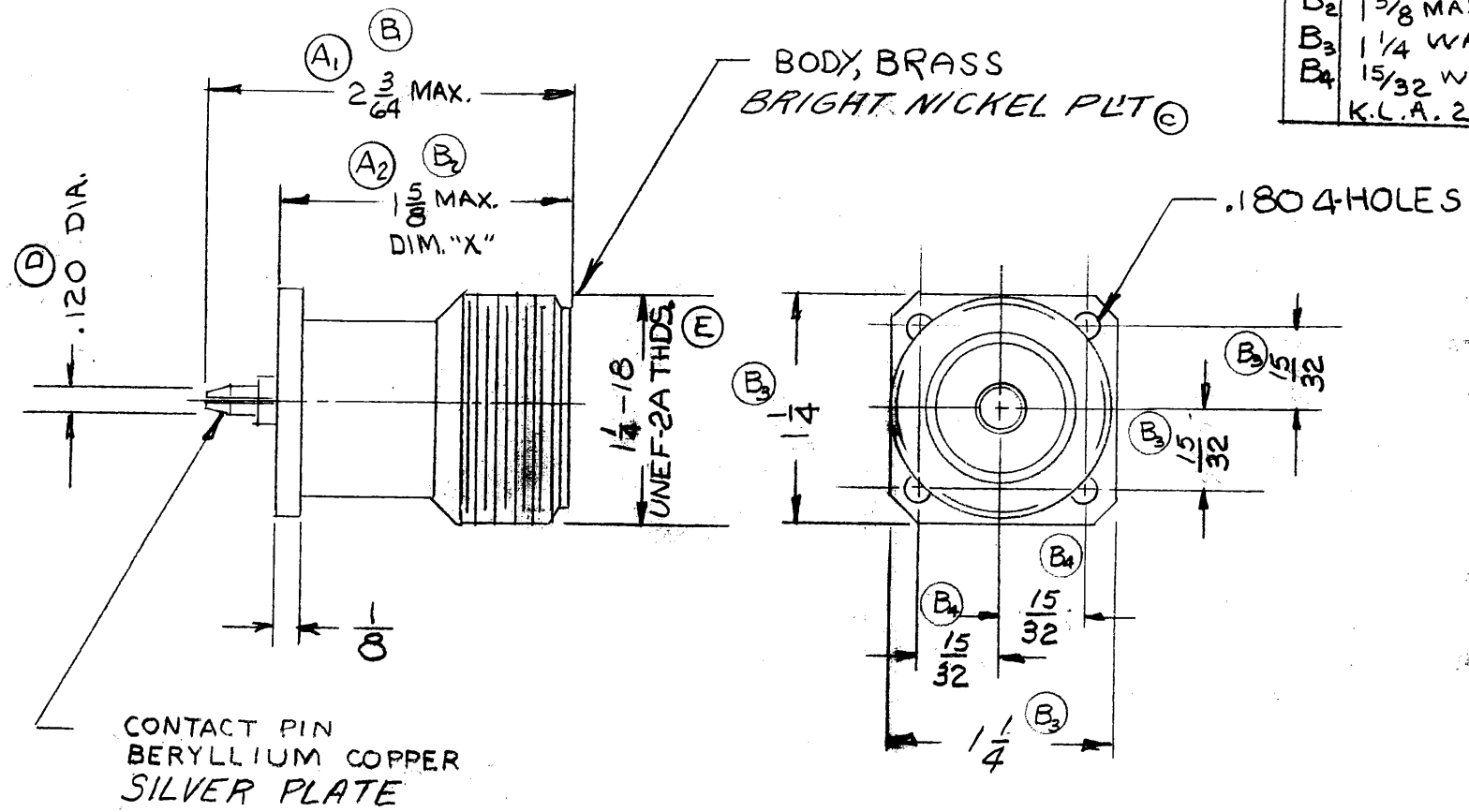


| | |
|---|------------------------------------------|
| C | WAS SILVER PLT. R.R.W. 7-11-66 ECN755 |
| D | .120 D. WAS .120±.0005 RR 5-24-68 |
| E | ADDED UNEF-2A THDS. G.C. 5-28-69 |

| | |
|----------------------------|----------------------------------------------------------------------|
| DRAWING NO. OL-4240-018 | |
| REVISIONS | |
| A ₁ | 2.028 WAS 2.086 |
| A ₂ | 1.615 WAS 1.673 R.B. 4-4-61 |
| B ₁ | 2 ³ / ₆₄ MAX. WAS 2.028 |
| B ₂ | 1 ⁵ / ₈ MAX. WAS 1.615 |
| B ₃ | 1 ¹ / ₄ WAS 1.250 |
| B ₄ | 15 ¹⁵ / ₃₂ WAS .465 K.L.A. 2-6-62 E.C.N.147 |



DO NOT SCALE DRAWING. DIMENSIONS ARE IN INCHES AND TOLERANCE IS ± .005 ON DECIMALS AND ± 1/64 ON FRACTIONAL DIMENSIONS UNLESS OTHERWISE SHOWN.

| | | | | | | | | |
|--------------|-----------------|---------------|-----------|--------------------|------------------|----------|------------------------------------------|---------------------------------|
| MATERIAL | KIND AND TEMPER | TREATMENT | SCALE | DRAWN | CHECKED | APPROVED | TITLE | DESCRIPTION |
| | | | FULL | R.K.B. 12-11-59 | R.B. 12-11-59 | | OUTLINE, CONN, FEMALE "LT" | F |
| NOMINAL SIZE | STOCK | COMM'L LIMITS | FINISH | M | | | BIRD ELECTRONIC CORP. CLEVELAND, OHIO | DRAWING NUMBER A OL-4240-018 |
| | | | SEE ABOVE | | | | | |