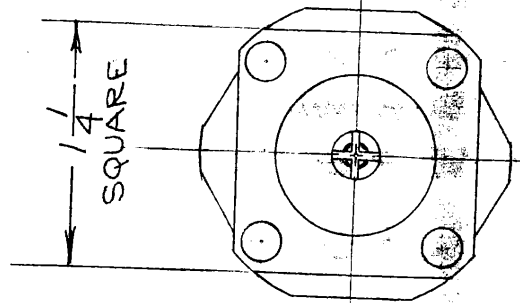
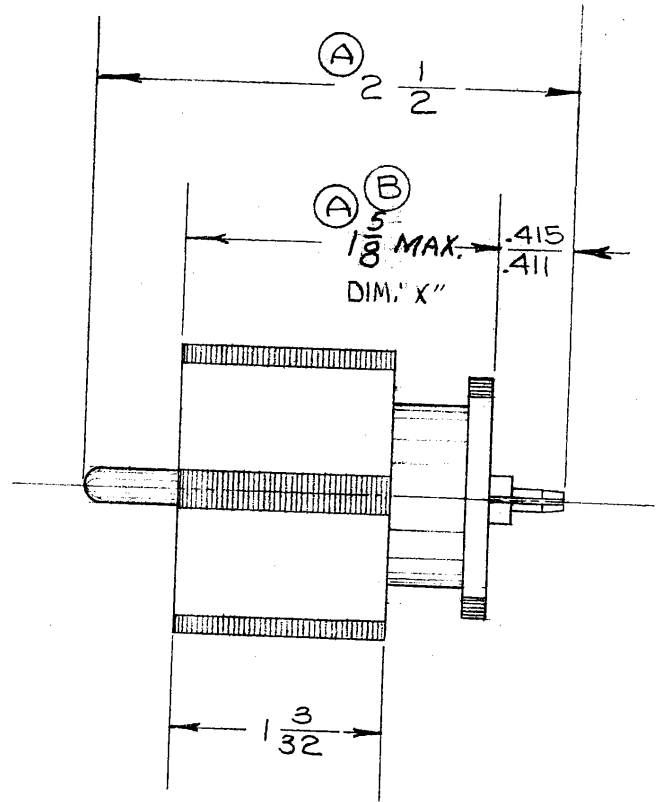
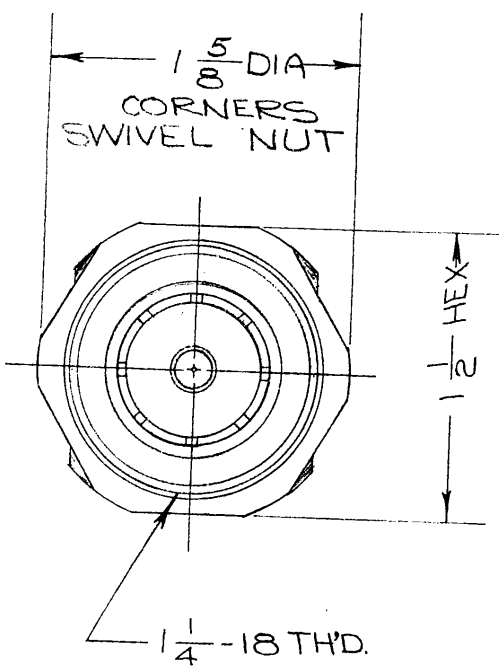


DRAWING NO.	
OL4240-025	
REVISIONS	
A	2 1/2 WAS 2 27/32, 1 39/64 WAS 1 9/64. R.B. 1-10-58
B	1 5/8 MAX. WAS 1 39/64 K.L.A. 2-6-62 E.C.N. 147
C	WAS SILVER PL. R.R.W. 7-11-66 ECN 755
D	REVISED PER ECN 7293 G.S. 5-11-88



THIS DRAWING IS THE PROPERTY OF THE BIRD ELECTRONIC CORPORATION. THE DESIGNS AND SPECIFICATIONS DISCLOSED HEREON IS PROPRIETARY AND SHALL NOT BE REPRODUCED, NOR COPIED, NOR USED AS THE BASIS FOR THE MANUFACTURE OR SALE OF APPARATUS OR DEVICES WITHOUT THEIR EXPRESS WRITTEN CONSENT.

DO NOT SCALE DRAWING. DIMENSIONS ARE IN INCHES AND TOLERANCE IS ± .005 ON DECIMALS AND ± 1/64 ON FRACTIONAL DIMENSIONS UNLESS OTHERWISE SHOWN.

MATERIAL	KIND AND TEMPER	TREATMENT	SCALE	DRAWN	CHECKED	APPROVED	ITEM	REQ.	DWG. NO.	DESCRIPTION
BRASS	TEFLON		FULL	BENNETT	R.B.					F
NOMINAL SIZE	STOCK	COMM'L LIMITS	FINISH							
			BRIGHT							
			NICKEL PLT.							
BIRD ELECTRONIC CORP.										DRAWING NUMBER
CLEVELAND, OHIO										OL4240-025

COMM. CODE: CA1 (D)