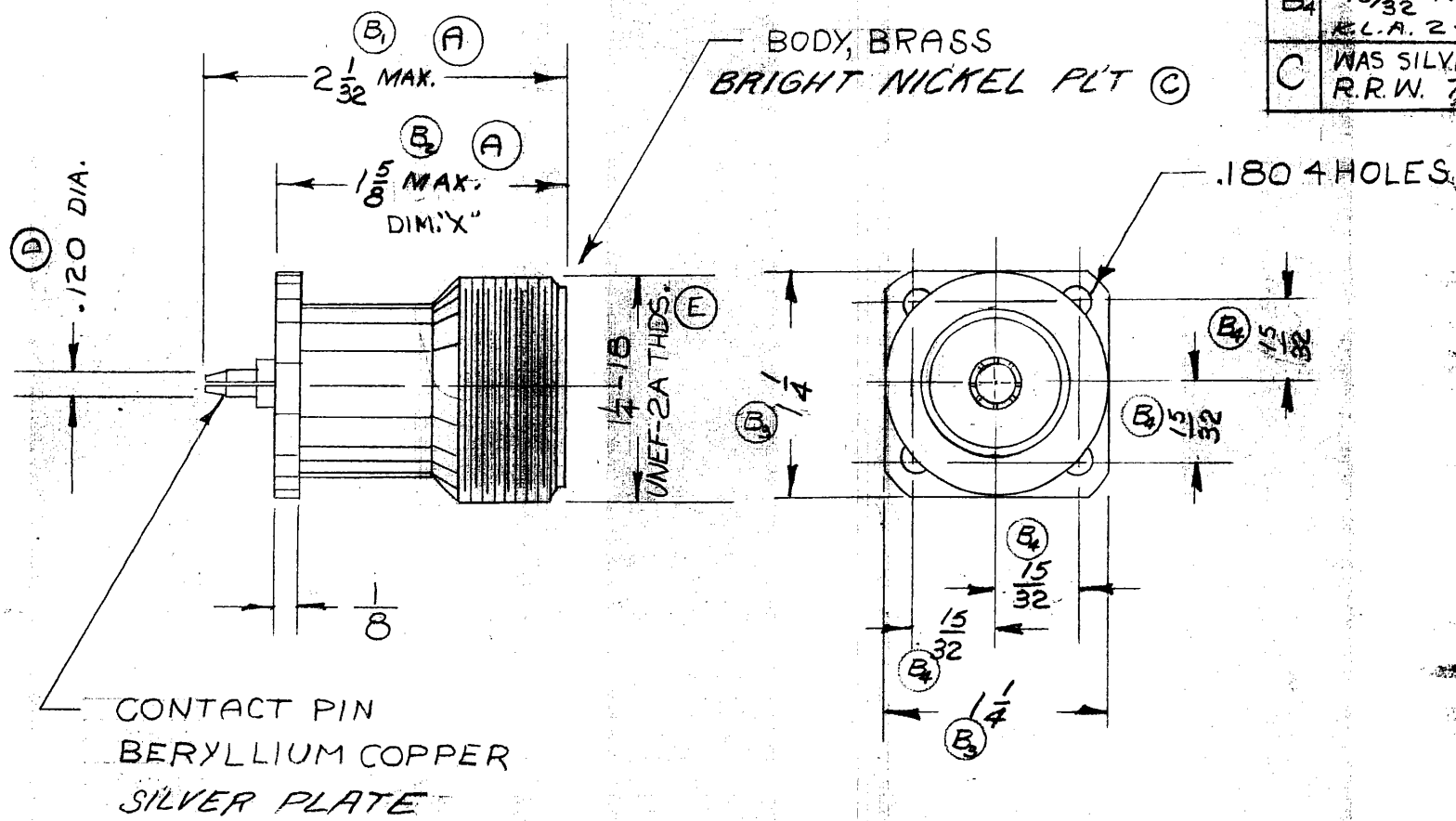


D .120 DIA WAS .120/±.0005
R.R. 5-24-68

E ADDED UNEF-2A
THDS. G.C. 5-28-69

DRAWING NO.
OL 4240-03

| REVISIONS | |
|----------------|--|
| A | 2028 WAS 2413 EFP 1615 WAS 2000 9-11-56 |
| B ₁ | 2 1/32 MAX. WAS 2028 |
| B ₂ | 1 5/8 MAX. WAS 1615 |
| B ₃ | 1 1/4 WAS 1.250 |
| B ₄ | 15/32 WAS .465 E.L.A. 2-6-62 EFN.147 |
| C | WAS SILVER PL. R.R.W. 7-11-66 EFN.755 |



| | | | | | | | |
|--|-----------------|---------------|---------------|-------------------------|----------------------------|--------------------------------|-------------------------------------|
| DO NOT SCALE DRAWING. DIMENSIONS ARE IN INCHES AND TOLERANCE IS ± .005 ON DECIMALS AND ± 1/64 ON FRACTIONAL DIMENSIONS UNLESS OTHERWISE SHOWN. | | | | ITEM | REQ. | DWG. NO. | DESCRIPTION |
| MATERIAL | KIND AND TEMPER | TREATMENT | SCALE FULL | DRAWN EFP 9-11-56 | CHECKED R.B. 9-17-56 | APPROVED | TITLE OUTLINE, CONN, FEMALE 'LC' |
| NOMINAL SIZE | STOCK | COMM'L LIMITS | WT. PER 1000 | FINISH SEE ABOVE | M | DRAWING NUMBER A 0L4240-031 | |
| BIRD ELECTRONIC CORP. CLEVELAND, OHIO | | | | | | | |