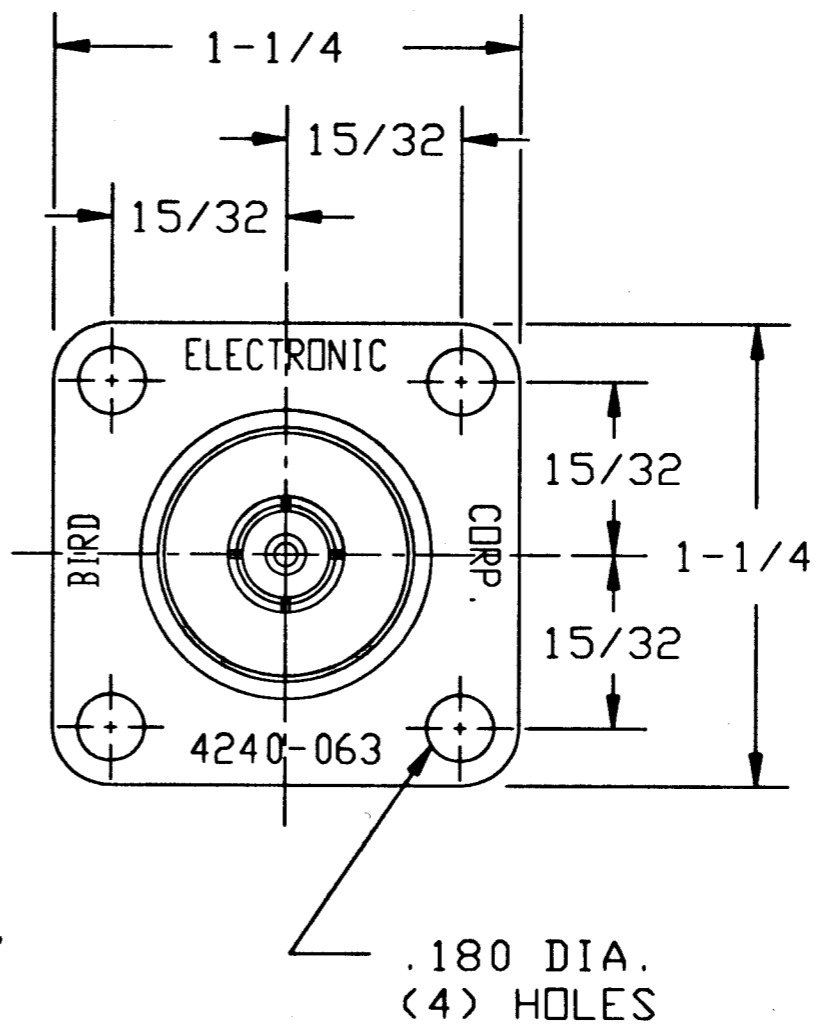
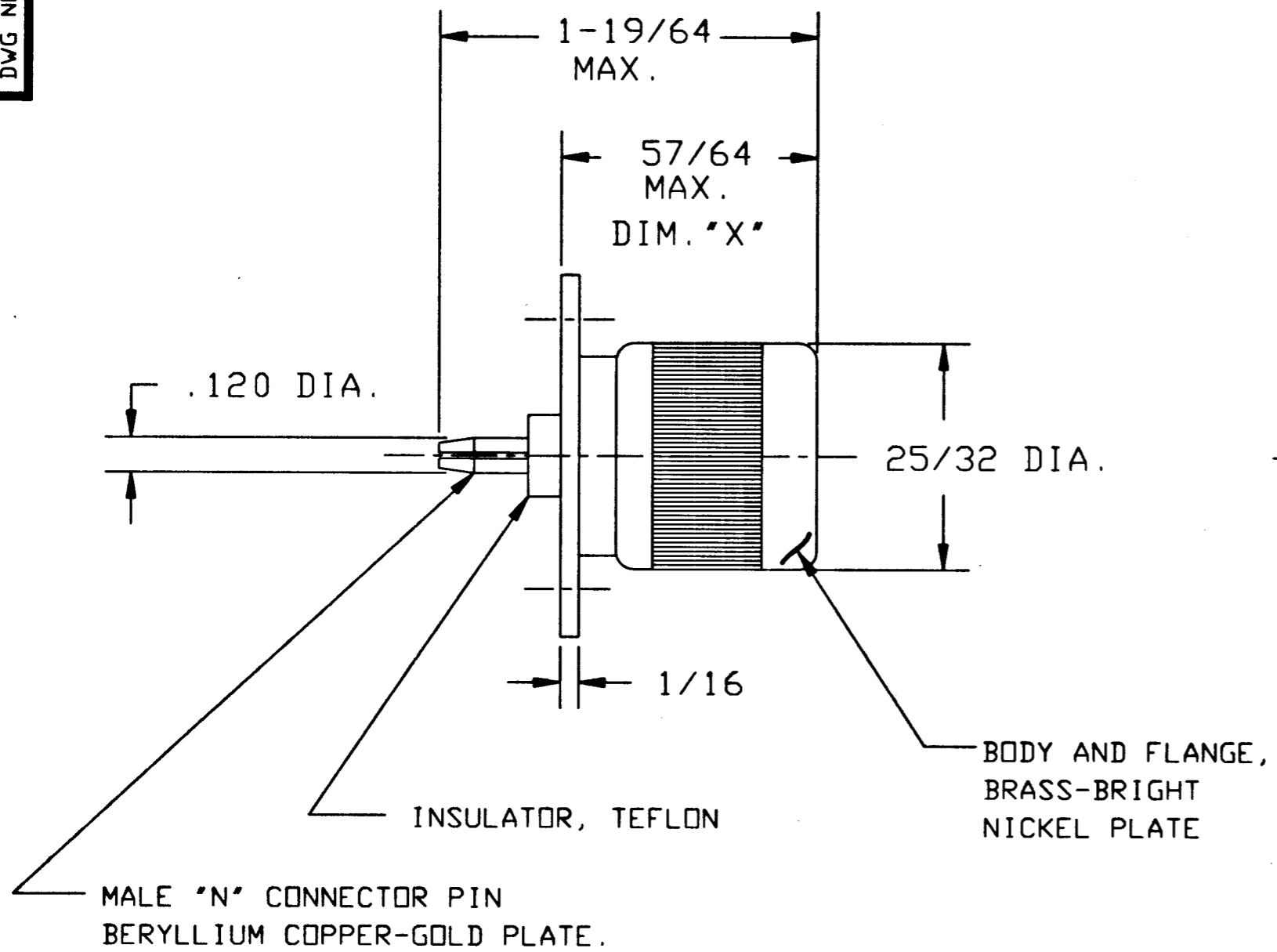



DL4240-063-3  
DWG NO. 1 OF 1

REVISIONS			
LTR.	SECTION	DESCRIPTION	DATE
A		FINAL RELEASE PER ECN 9477 T.S.	11-27-95



MATERIALS AND FINISHES AS NOTED ON PARTS.

UNLESS OTHERWISE SPECIFIED TOLERANCES ON FRACTIONAL INCHES ±1/64 DECIMAL INCHES ±.005 ANGLES ±30' 1 PLACE MILLIMETERS ±.4 2 PLACE MILLIMETERS ±.12-DO NOT SCALE DRAWING THIS DRAWING IS THE PROPERTY OF THE BIRD ELECTRONIC CORPORATION. THE DESIGNS AND SPECIFICATIONS DISCLOSED HEREON IS PROPRIETARY AND SHALL NOT BE REPRODUCED, NOR COPIED, NOR USED AS THE BASIS FOR THE MANUFACTURE OR SALE OF APPARATUS OR DEVICES WITHOUT THEIR EXPRESS WRITTEN CONSENT.

ITEM	REQ.	DRAWING NO.	DESCRIPTION
MATL:		SEE ABOVE	 DESCRIPTION: CONNECTOR, Q.C., M-N/OUTLINE SUB-DESCRIPTION:
SCALE: 2:1			
ITEM TYPE:		SIZE	DL4240-063-3
COM. CD. CA1		B	
DRAWN GIONEST 11/27/95		DRAWING NO. 1 OF 1	
CHECKED A.P.S. 12-27-95			
APPROVED T.S.MITH 12-28-95			

FINISH: SEE ABOVE  
CODE IDENT. NO. 70998