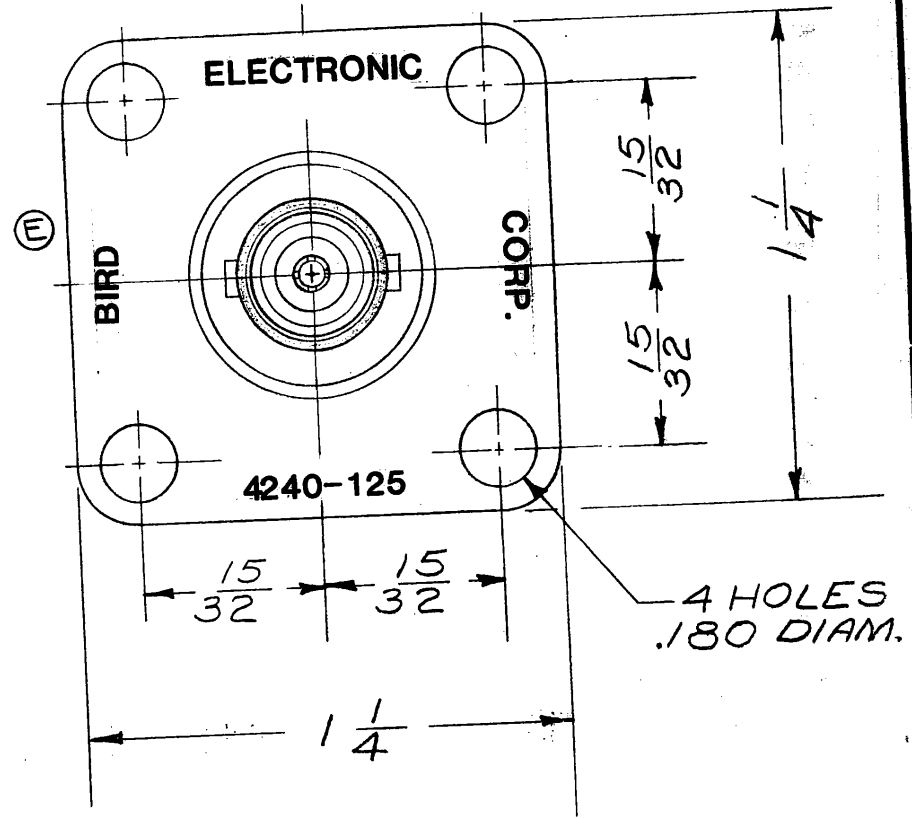
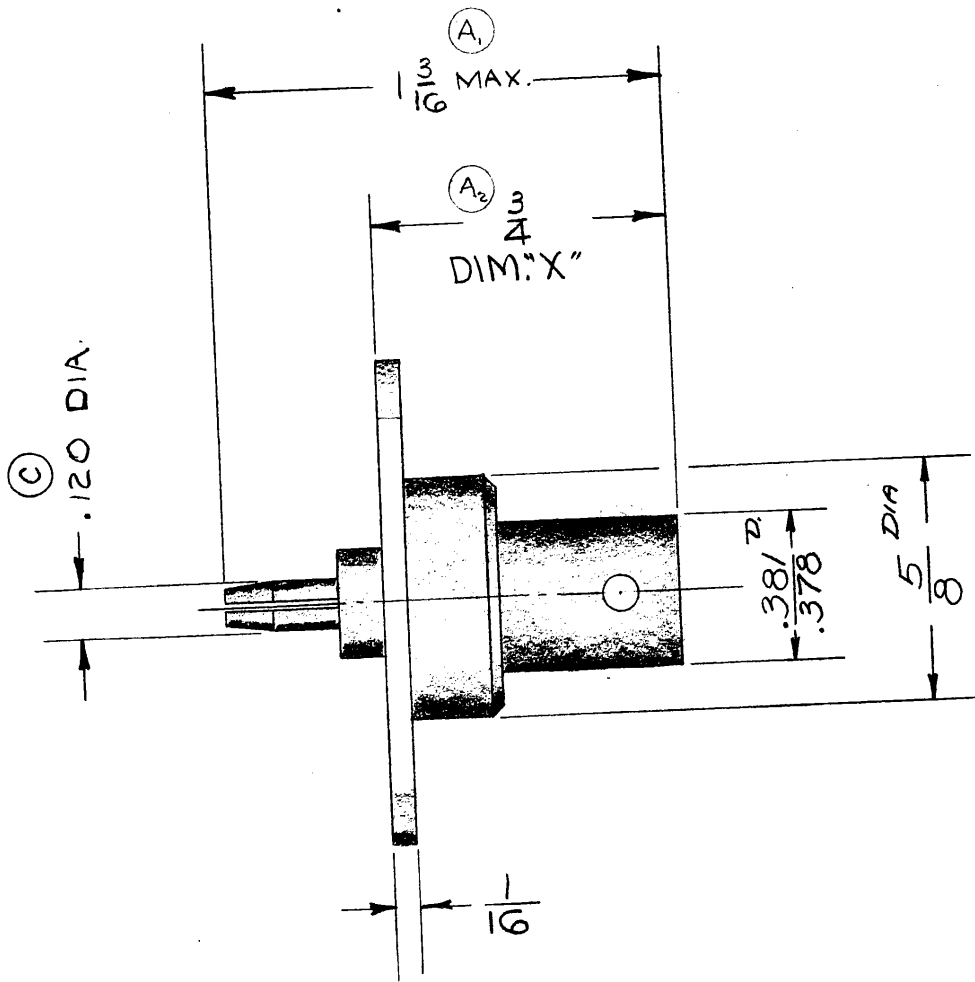


REVISED PER ECN 7621
G.C. 3-23-89

DRAWING NO.
OL4240-125

REVISIONS	
A ₁	1 3/16 MAX. WAS 1.163
A ₂	3/4 WAS .750 K.L.A. 2-6-62 E.C.N. 147
B	WAS SILVER PLT. R.R.W. 7-12-66 ECN 755
C	.120 D. WAS .1200 ± .0005 RR 5-24-68
D	REVISED PER ECN 4670 J.S. 9-17-82



DO NOT SCALE DRAWING. DIMENSIONS ARE IN INCHES AND TOLERANCE IS ± .008 ON DECIMALS AND ± 1/64 ON FRACTIONAL DIMENSIONS UNLESS OTHERWISE SHOWN.				ITEM	REQ.	DWG. NO.	DESCRIPTION
MATERIAL	KIND AND TEMPER	TREATMENT	SCALE	DRAWN	CHECKED	APPROVED	TITLE
			2/11	BENNETT 4-6-59	R.B. 4-6-59		CONN., QC, F-BNC/OUTLINE
NOMINAL SIZE	STOCK	COMM'L LIMITS	WT. PER 1000	FINISH	M	BIRD ELECTRONIC CORP. CLEVELAND, OHIO	
				BR. NICKEL PLATE		A	DRAWING NUMBER OL4240-125
COMM. CODE: CA1							