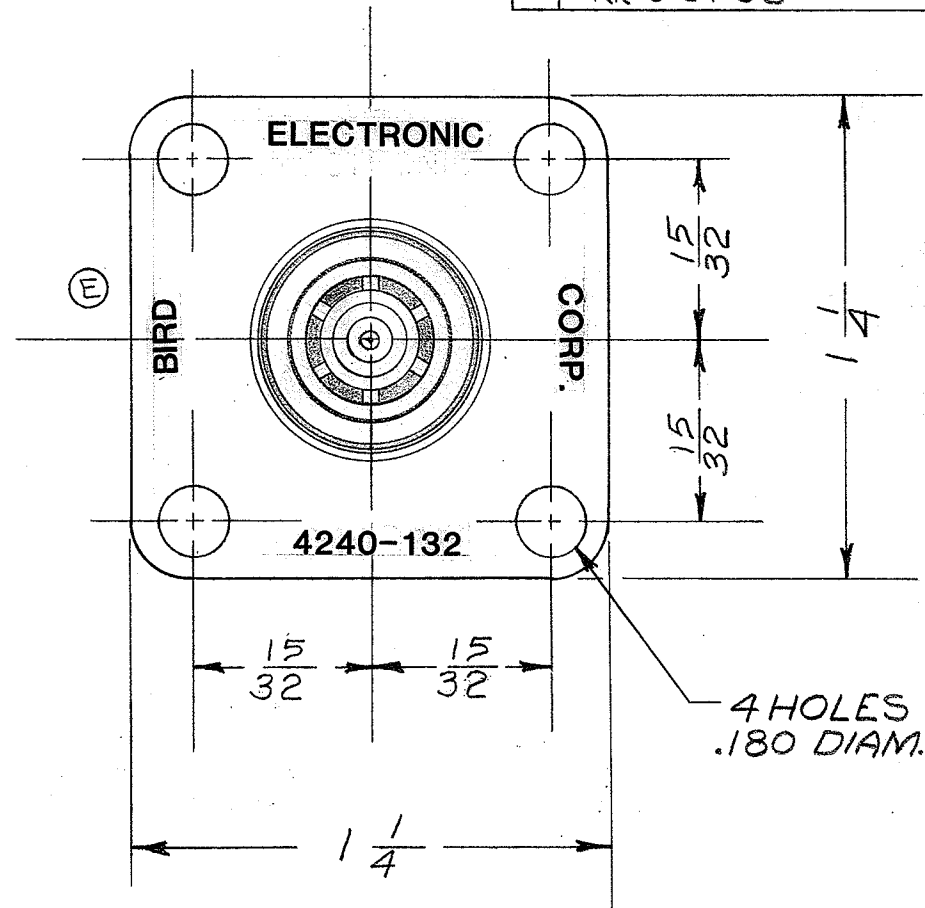
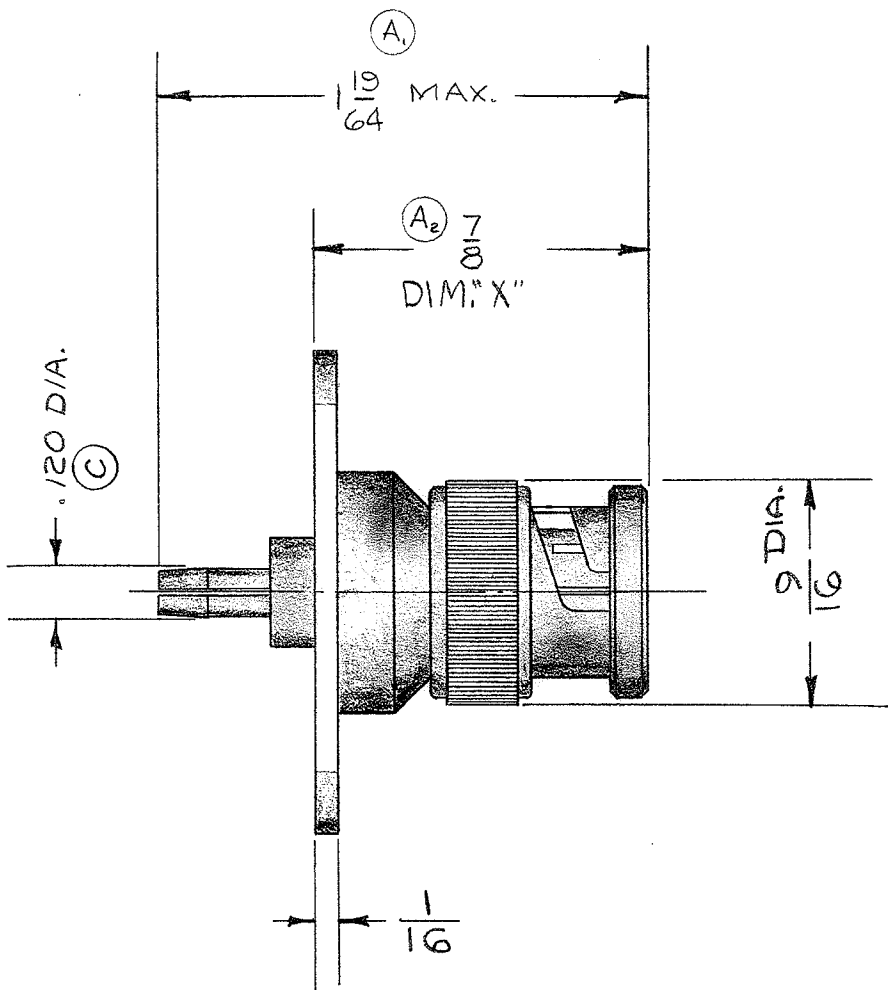


D	REVISED PER ECN 4670 J.S. 9-17-82
E	REVISED PER ECN 7621 G.C. 3.23.89

DRAWING NO.
OL4240-132

REVISIONS

A ₁	119/64 MAX. WAS 1.288
A ₂	7/8 WAS .875 K.L.A. 2-6-62 ECN 147
B	WAS SILVER PL'T, R.R.W. 7-12-66 ECN 755
C	.120 D. WAS .1200±.0005 RR 5-24-68



DO NOT SCALE DRAWING. DIMENSIONS ARE IN INCHES AND TOLERANCE IS ± .005 ON DECIMALS AND ± 1/64 ON FRACTIONAL DIMENSIONS UNLESS OTHERWISE SHOWN.

				ITEM	REQ.	DWG. NO.	DESCRIPTION
MATERIAL	KIND AND TEMPER	TREATMENT	SCALE	DRAWN	CHECKED	APPROVED	TITLE
			2-1	BENNETT 4-7-59	R.B. 4-7-59		CONN., QC, M-BNC/OUTLINE
NOMINAL SIZE	STOCK	COMM'L LIMITS	WT. PER 1000	FINISH	BIRD ELECTRONIC CORP.		DRAWING NUMBER
				BR. NICKEL PLATE	CLEVELAND, OHIO		A ① OL4240-132

CONN. CODE: CA1