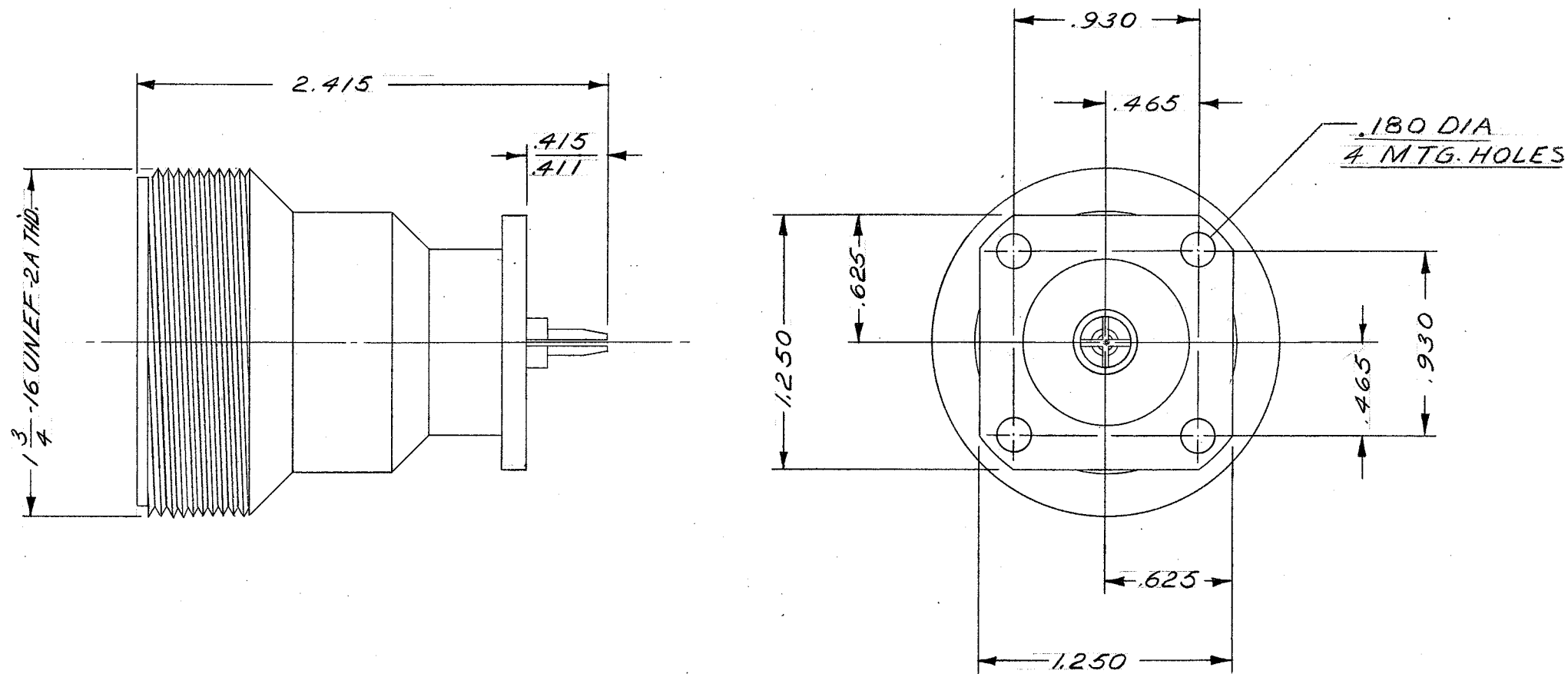


OL 4240-149

REVISIONS

| | |
|---|---|
| A | WAS B. SILVER PLT. R.R.W. 8-1-66 ECN-755 |
| B | REVISED PER ECN 7568 K.S. 1-25-89 |



FINISH: BRIGHT NICKEL PLATE
PER BPS-1030

| | | | | | | |
|--|-----------------|---------------|-----------------------------|--------------------------|--|----------------------------------|
| DO NOT SCALE DRAWING. DIMENSIONS ARE IN INCHES AND TOLERANCE IS ± .005 ON DECIMALS AND ± 1/64 ON FRACTIONAL DIMENSIONS UNLESS OTHERWISE SHOWN. | | | | ITEM REQ. | DWG. NO. | DESCRIPTION |
| MATERIAL | KIND AND TEMPER | TREATMENT | SCALE 1 1/4 / 1 | DRAWN LASKO 9-3-59 | CHECKED <i>J. Lasko</i> 3-3-61 | TITLE CONN., Q.C.F-LC/OUTLINE |
| NOMINAL SIZE | STOCK | COMM'L LIMITS | WT. PER 1000 A SEE ABOVE | FINISH M | BIRD ELECTRONIC CORP. CLEVELAND, OHIO | |
| COMM. CODE: CA1 | | | | | | DRAWING NUMBER B OL 4240-149 |

ⓑ