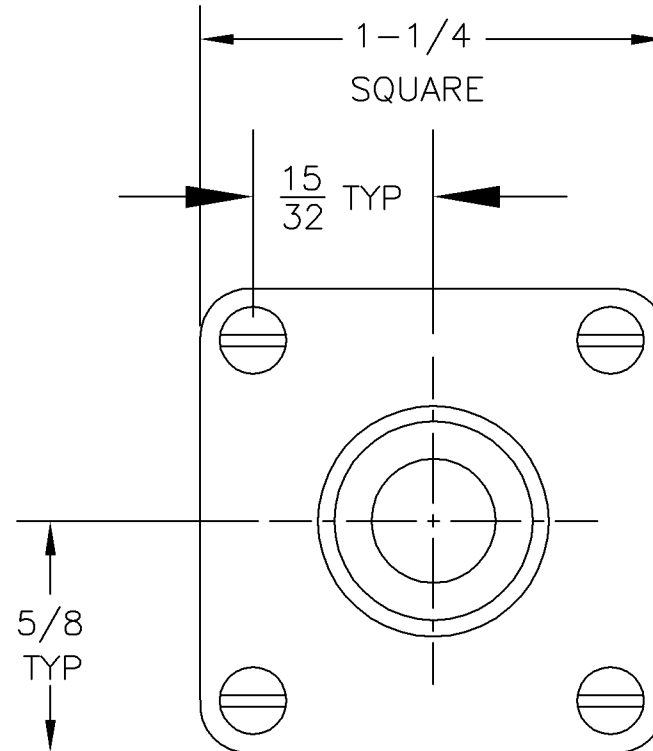
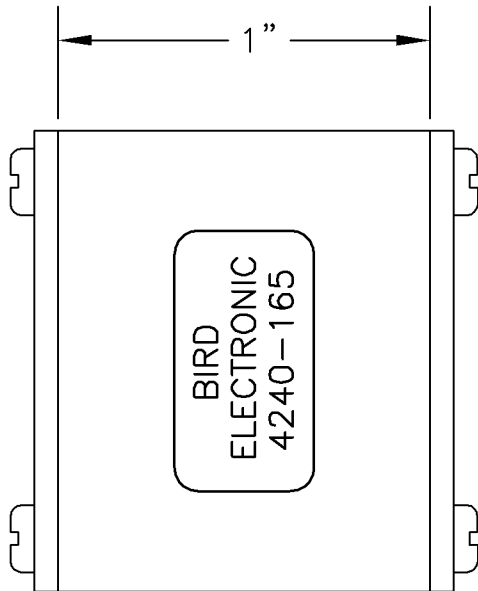



REVISIONS		DWG. NO. 4240-165 OL	SHEET 1	REV B
REV	DESCRIPTION	DATE	APPROVED	
B	REPLACE STAMPED # WITH LABEL/ECO 13933 dmr	9-8-09	<i>J.W.</i> JW	



UNLESS OTHERWISE SPECIFIED DIMENSIONS ARE IN INCHES TOLERANCES ARE: FRACTIONS $\pm 1/64$ DECIMALS .xx = ± 0.010 .xxx = ± 0.005 ANGLES $\pm 30'$ MILLIMETERS .x = $\pm .4$.xx = $\pm .12$ DO NOT SCALE DRAWING	APPROVALS		DATE				
	DRN	D.L.A.	3-21-69				
	CHK	R.B.	3-21-69				
	APP	R.B.	3-21-69				
THIS DRAWING IS THE PROPERTY OF THE BIRD TECHNOLOGIES GROUP OR BIRD ELECTRONIC CORP- ORATION. THE DESIGNS AND SPECIFICATIONS DISCLOSED HEREIN ARE PROPRIETARY AND SHALL NOT BE REPRODUCED, NOR COPIED, NOR USED AS THE BASIS FOR THE MANUFACTURE OR SALE OF APPARATUS OR DEVICES WITHOUT THEIR EXPRESS WRITTEN CONSENT.	MATERIAL	CODE	TITLE				
	----	----	ADAPTER, Q.C. TO Q.C. CONNECTOR/OL				
	FINISH	CODE	A	FSCM NO. 70998	SCALE 2:1	DWG. NO. 4240-165 OL	REV B
	BRIGHT NICKEL PLATE		PROJ./LIB	AUTOCAD		SHEET	1 OF 1