

D REVISED PER ECN 4670
J.S. 9-16-82

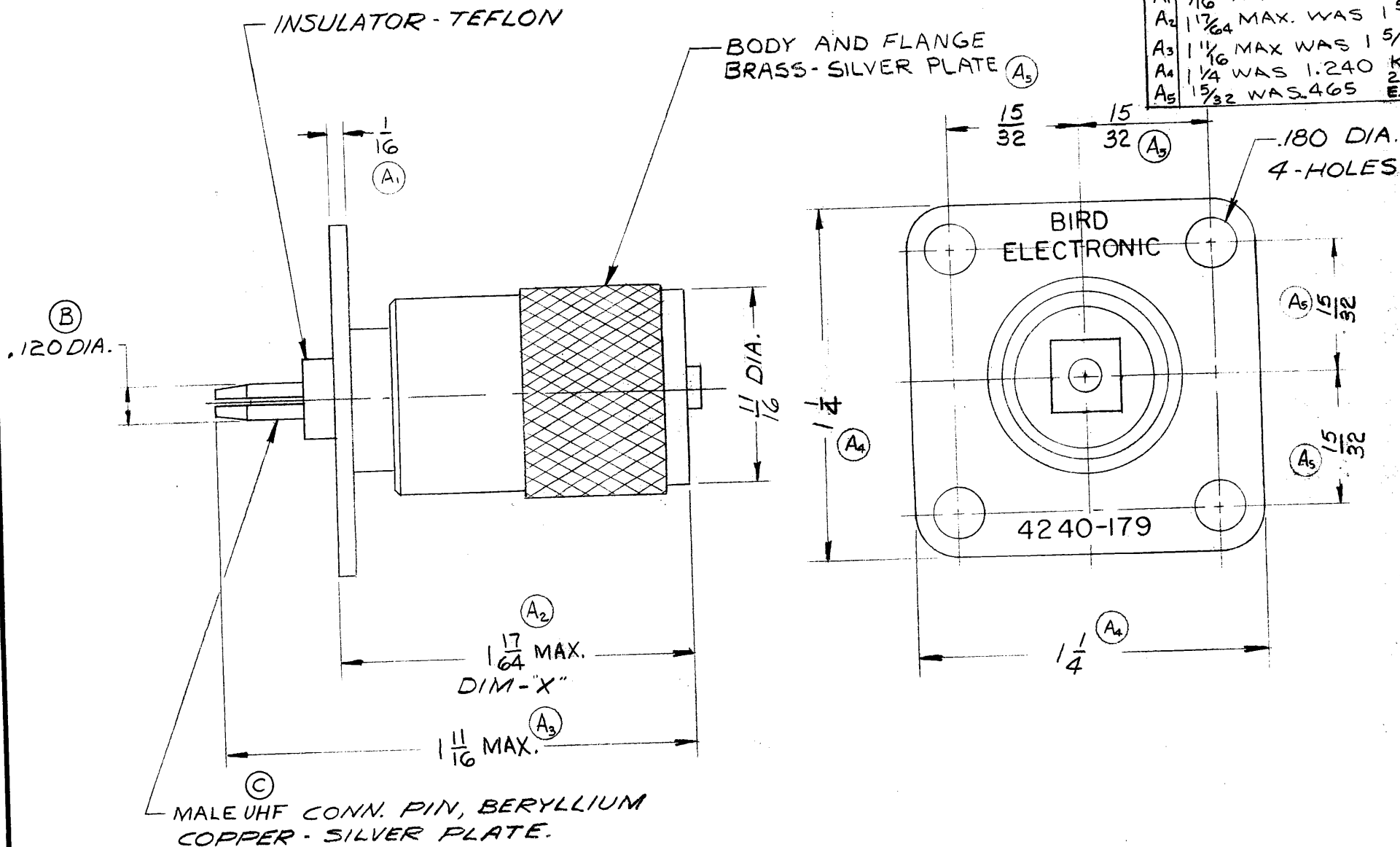
B .120 D. WAS .125/.121 D.
R.R. 5-24-68

C CORRECTION, UHF WAS
MALE "N" G.C. 5-6-69

DRAWING NO.
OL4240-179

REVISIONS

A₁ 1/16 WAS .064
A₂ 17/64 MAX. WAS 1 5/32
A₃ 1 1/16 MAX WAS 1 5/8
A₄ 1/4 WAS 1.240 K.L.A.
A₅ 15/32 WAS .465 E.C.N. 147
2-6-62



DO NOT SCALE DRAWING. DIMENSIONS ARE IN INCHES AND TOLERANCE IS ± .005 ON DECIMALS AND ± 1/64 ON FRACTIONAL DIMENSIONS UNLESS OTHERWISE SHOWN.

MATERIAL				KIND AND TEMPER		TREATMENT		SCALE		DRAWN		CHECKED		APPROVED		TITLE	
								2-1		K.L.A.		7-6-61		7-10-61		OUTLINE, CONN, MALE "UHF"	
NOMINAL SIZE				STOCK		COMM'L LIMITS		WT. PER 1000		FINISH		M		BIRD ELECTRONIC CORP.		DRAWING NUMBER	
														CLEVELAND, OHIO		A OL4240-179	