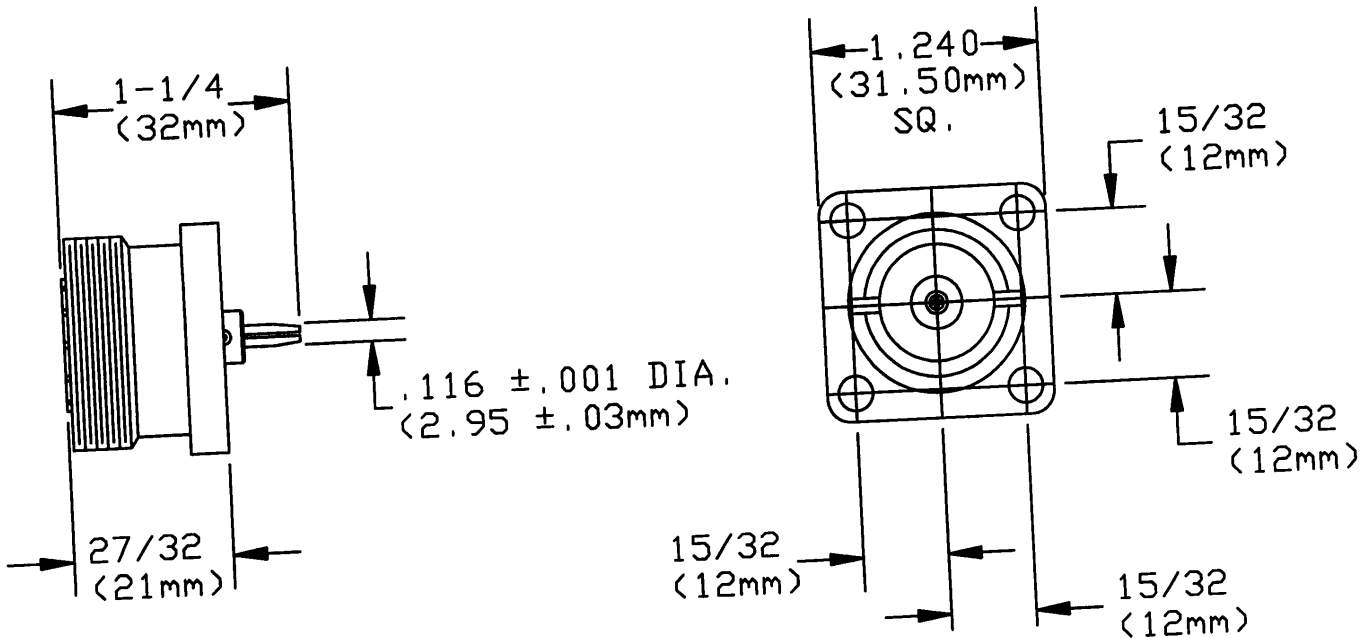


REVISIONS		DRAWING NO. <b>DL4240-344</b>	
		1 OF 1	
LTR.	SECTION	DESCRIPTION	DATE
C		REV. & REDRAWN PER ECN 9675 K.S.	2-20-96
D		REVISED PER ECN 10196 M.W.	10-17-97



NOTE: (4) NO. 8-32 x 3/8 FILLISTER HD. SCREWS PROVIDED WITH CONNECTOR (NO. 1118-0602-00)

UNLESS OTHERWISE SPECIFIED TOLERANCES ON FRACTIONAL INCHES ±1/64 DECIMAL INCHES ±.005 ANGLES ±30' 1 PLACE MILLIMETERS ±.4 2 PLACE MILLIMETERS ±.12-DO NOT SCALE DRAWING THIS DRAWING IS THE PROPERTY OF THE BIRD ELECTRONIC CORPORATION. THE DESIGNS AND SPECIFICATIONS DISCLOSED HEREON IS PROPRIETARY AND SHALL NOT BE REPRODUCED, NOR COPIED, NOR USED AS THE BASIS FOR THE MANUFACTURE OR SALE OF APPARATUS OR DEVICES WITHOUT THEIR EXPRESS WRITTEN CONSENT.

ITEM	REQ.	DRAWING NO.	DESCRIPTION
MATL.			
SCALE: FULL		DESCRIPTION: CONNECTOR, IEC 7/16 JACK/OUTLINE	
ITEM TYPE:		SUB-DESCRIPTION:	
COM. CD. CA1		SIZE <b>A</b>	DRAWING NO. <b>DL4240-344</b>
CODE IDENT. NO. 70998		1 OF 1	

DRAWN SCS 3-20-96  
 CHECKED A. SNYDER 4-17-96  
 APPROVED T. SMITH 11-4-97

FINISH:  
 CODE IDENT. NO. 70998

DRAWING NO. **DL4240-344**  
 1 OF 1