

B WAS BR. SILVER PL'T.
R.R.W. 7-13-66 ECN 755

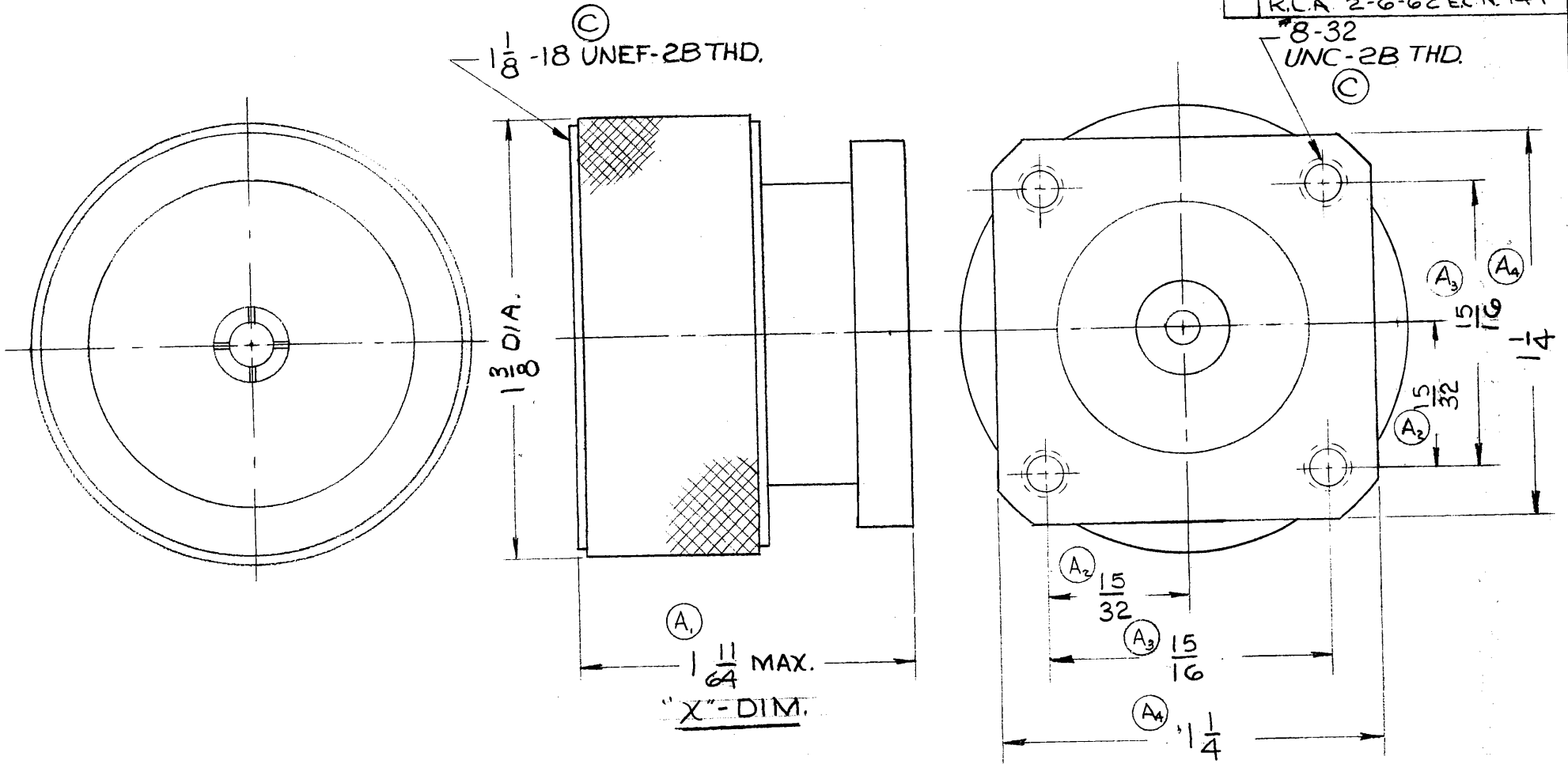
C ADDED UNEF-2B &
UNC-2B THD. G.C. 5-28-69

D REVISED PER ECN 4670
J.S. 9-17-82

DRAWING NO. **OL4240-180**

REVISIONS

A. 1¹/₆₄ WAS 1¹/₈
A₂ 15¹/₃₂ WAS .465
A₃ 15¹/₁₆ WAS .930
A₄ 1¹/₄ WAS 1.250
K.L.A. 2-6-62 EC. N. 147



DO NOT SCALE DRAWING. DIMENSIONS ARE IN INCHES AND TOLERANCE IS ± .005 ON DECIMALS AND ± 1/64 ON FRACTIONAL DIMENSIONS UNLESS OTHERWISE SHOWN.

MATERIAL	KIND AND TEMPER	TREATMENT	SCALE	DRAWN	CHECKED	APPROVED	TITLE
			2-1	K.L.A. 11-30-61	R.B. 12-8-61		OUTLINE, CONN, COPLANAR TO Q.C.
NOMINAL SIZE	STOCK	COMM'L LIMITS	WT. PER 1000	FINISH	M	DRAWING NUMBER	
				BRIGHT NICKEL PL'T.		A (D) OL4240-180	

ITEM	REQ.	DWG. NO.	DESCRIPTION
			F
BIRD ELECTRONIC CORP. CLEVELAND, OHIO			