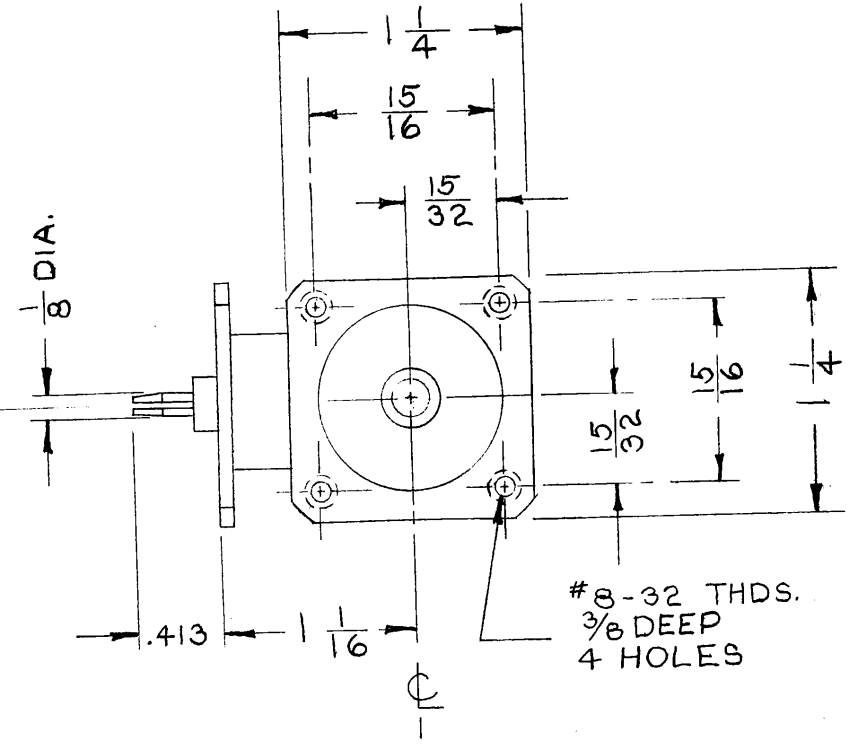
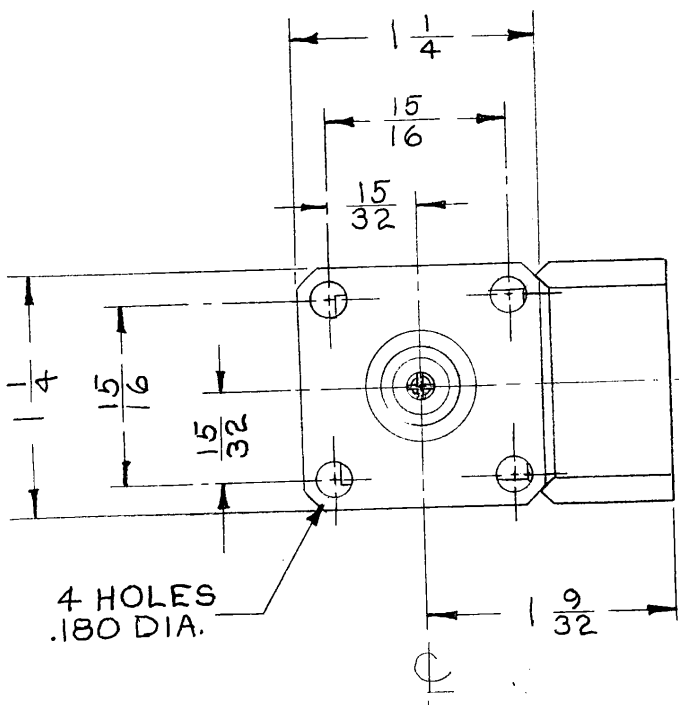
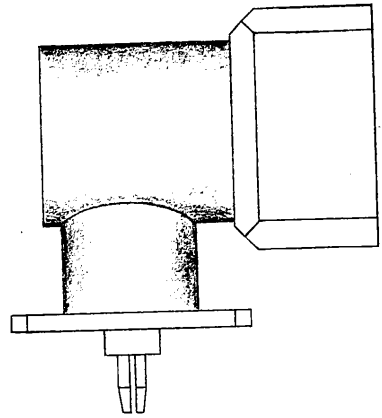


DRAWING NO. OL4240-244	
REVISIONS	
A	WAS BR. SILVER PLT. R.R.W. 7-15-66 ECN 755
B	REVISED PER ECN 4670 J.S. 9-20-82



DO NOT SCALE DRAWING. DIMENSIONS ARE IN INCHES AND TOLERANCE IS $\pm .005$ ON DECIMALS AND $\pm 1/64$ ON FRACTIONAL DIMENSIONS UNLESS OTHERWISE SHOWN.				ITEM	REQ.	DWG. NO.	DESCRIPTION
MATERIAL	KIND AND TEMPER	TREATMENT	SCALE FULL	DRAWN NEELY 4-25-64	CHECKED R.B. 4-27-64	APPROVED L.B. 4-27-64	TITLE OUTLINE, ADAPTER, RIGHT ANGLE, "QC" TO "QC"
NOMINAL SIZE	STOCK	COMM'L LIMITS	WT. PER 1000 (A)	FINISH BRIGHT NICKEL PLT.	M	BIRD ELECTRONIC CORP. CLEVELAND, OHIO	
						DRAWING NUMBER (B) OL4240-244	F