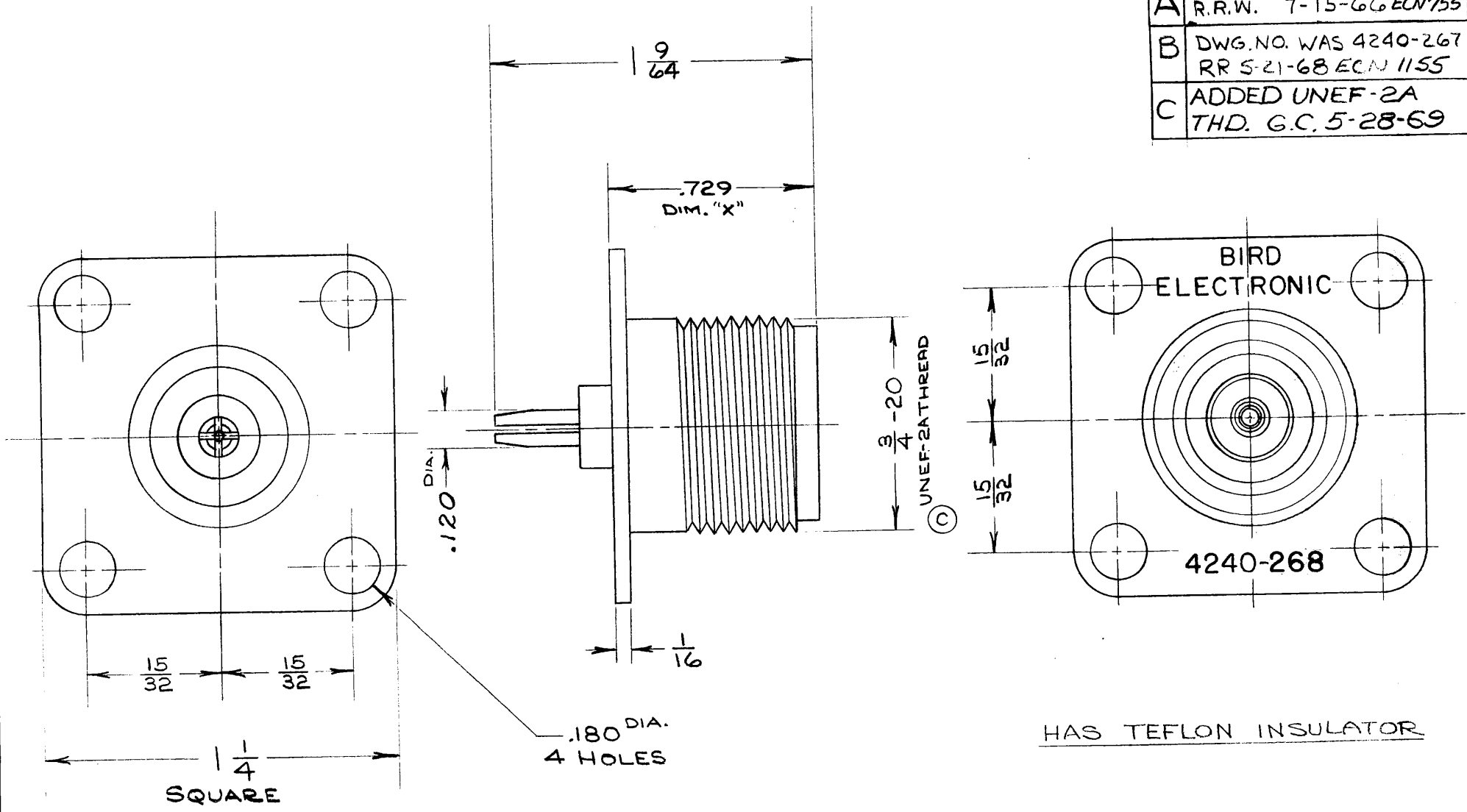


DRAWING NO.	
OL 4240-268	
REVISIONS	
A	WAS SILVER PLT. R.R.W. 7-15-66 ECN 755
B	DWG. NO. WAS 4240-267 RR 5-21-68 ECN 1155
C	ADDED UNEF-2A THD. G.C. 5-28-69



DO NOT SCALE DRAWING. DIMENSIONS ARE IN INCHES AND TOLERANCE IS $\pm .005$ ON DECIMALS AND $\pm 1/64$ ON FRACTIONAL DIMENSIONS UNLESS OTHERWISE SHOWN.						ITEM	REQ.	DWG. NO.	DESCRIPTION	F
MATERIAL	KIND AND TEMPER	TREATMENT	SCALE	DRAWN	CHECKED	APPROVED	TITLE			
			2/1	B.J.K.	R.B.	L.B.	OUTLINE, CONN., FEMALE "HN"			
				2-19-65	2-19-65	2-19-65	DRAWING NUMBER			
NOMINAL SIZE	STOCK	COMM'L LIMITS	WT. PER 1000	FINISH			BIRD ELECTRONIC CORP.		A OL 4240-268	
			(A)	BRIGHT NICKEL PLT.			CLEVELAND, OHIO			