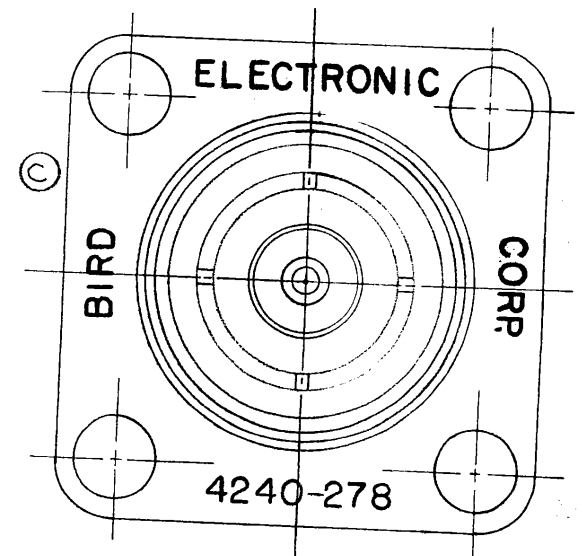
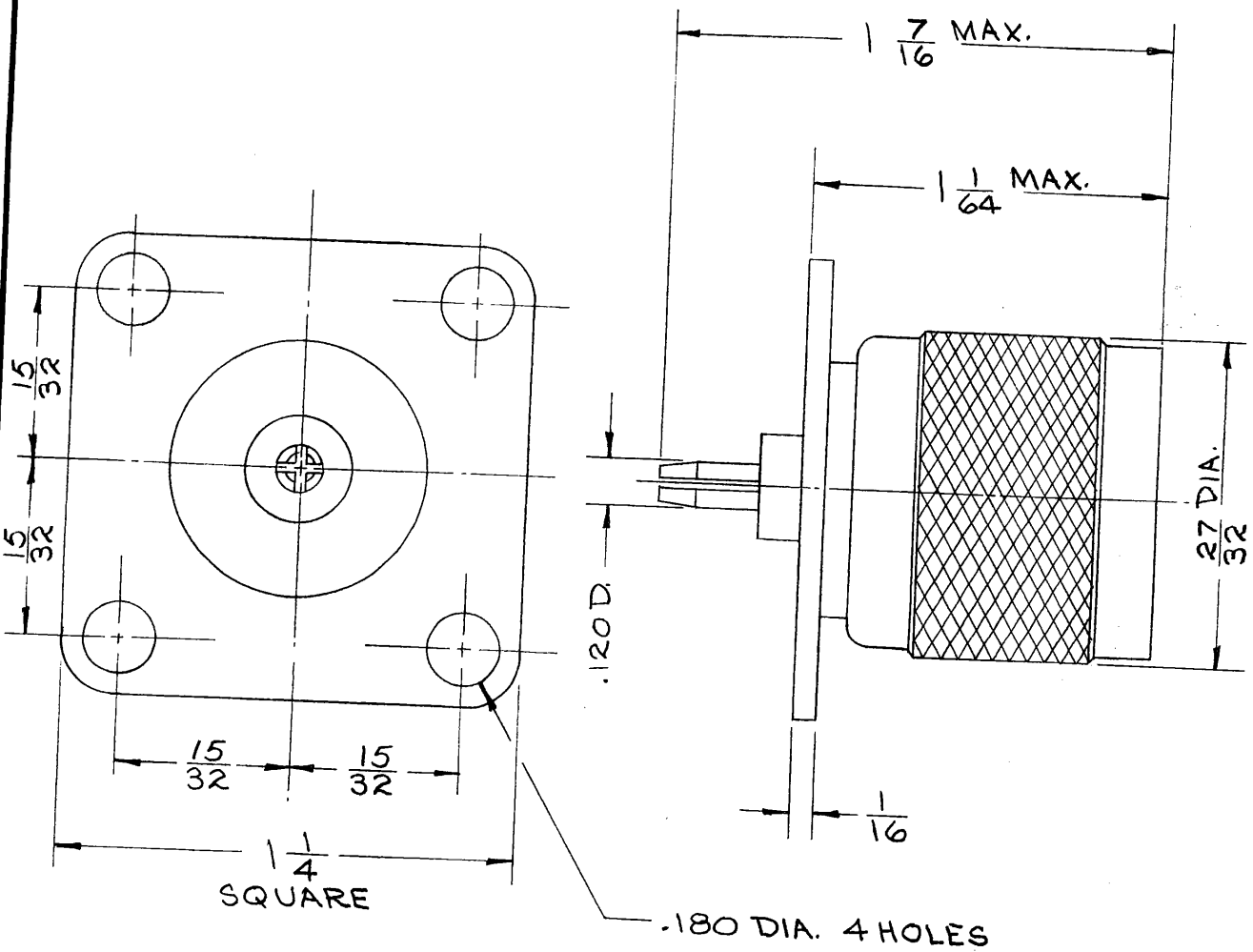


DRAWING NO. OL 4240-278	
REVISIONS	
A	WAS SILVER PLT. ECN R.R.W. 7-15-66 755
B	DWG. NO. WAS 4240-277 RR 5-21-68 ECN1155
C	REVISED PICTORIALY S.R. 8-17-87 ECN 7001



NOT SCALE DRAWING. DIMENSIONS ARE IN INCHES AND TOLERANCE IS ± .005 ON DECIMALS AND ± 1/64 ON FRACTIONAL DIMENSIONS UNLESS OTHERWISE SHOWN.

MATERIAL	KIND AND TEMPER	TREATMENT	SCALE	DRAWN	CHECKED	APPROVED	TITLE	DESCRIPTION
			2/1	NEELY 8-9-65	R.B. 8-11-65	L.B. 8-11-65	CONN., Q.C., M-HN/OUTLINE	F
NOMINAL SIZE	STOCK	COMM'L LIMITS	WT. PER 1000	BIRD ELECTRONIC CORP. CLEVELAND, OHIO				DRAWING NUMBER
				A BRIGHT NICKEL PLT. M				A OL4240-278

COMM. CODE: CAI