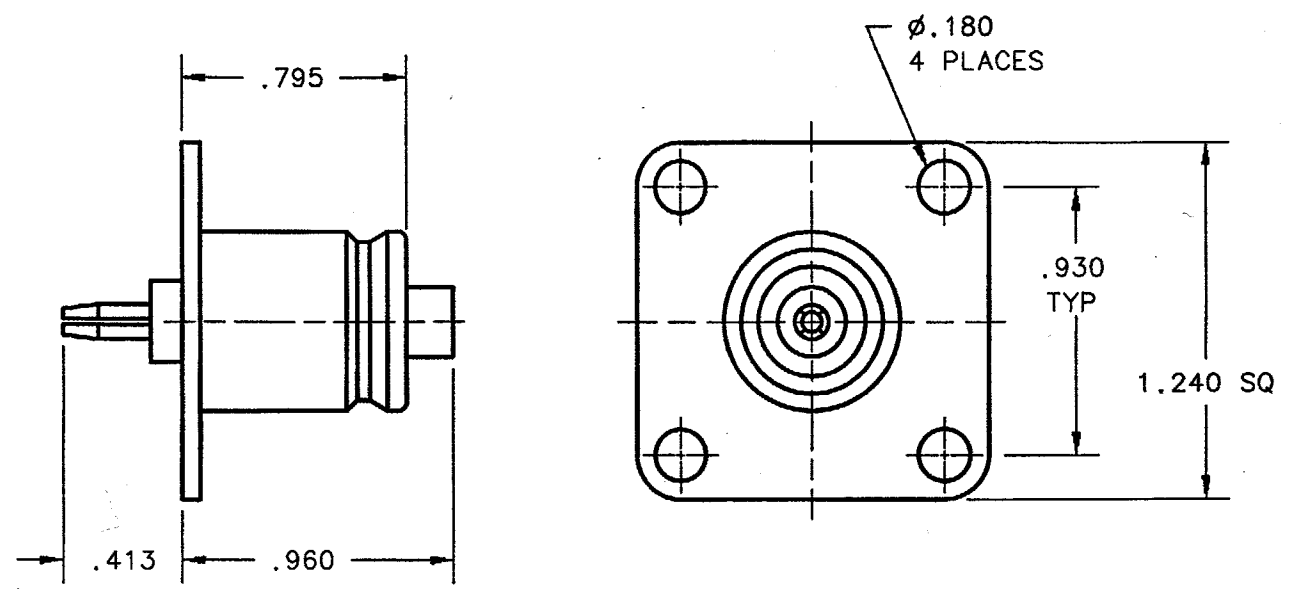


DRAWING / ITEM NUMBER	DESCRIPTION	REV
4240-373 OL	Connector, QC QDS-UL(f)	A



MATERIAL	INSULATOR - TEFLON CONTACT - BERYLLIUM COPPER BODY - BRASS
FINISH	BODY - NICKEL PLATED CONTACT - SILVER PLATED

--

DESCRIPTION	CONNECTOR, COAXIAL, RF SERIES: QDS-UL(F) TO QC(M) ADAPTER, STRAIGHT
--------------------	---