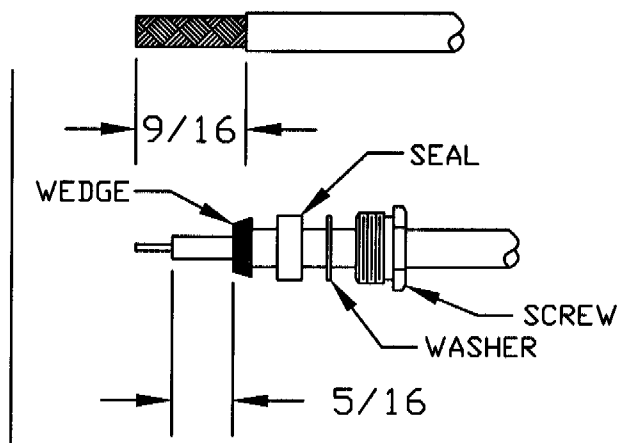
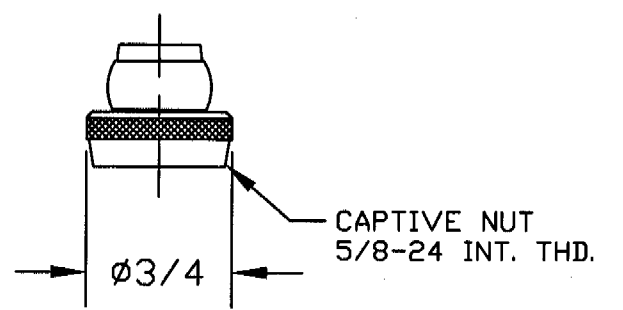
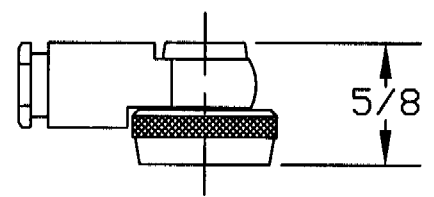
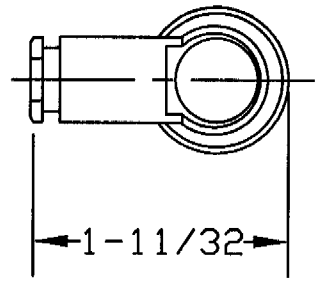


REVISIONS			DWG NO.	SHT	REV
ZONE	REV	DESCRIPTION	DATE	APPROVED	
	E	REV & REDRAWN/ECN 11613 B.E.	8-06-02	JE	

DL7500-076 1 E



SERVICING FOR RG-58 CABLE



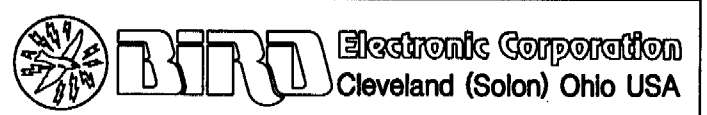
TYPE DS-491859

QTY. REQ.	ITEM NO.	PART NO.	DESCRIPTION
PARTS LIST			

UNLESS OTHERWISE SPECIFIED
DIMENSIONS ARE IN INCHES
TOLERANCES ARE:
FRACTIONS DECIMALS ANGLES
± 1/64 .XX ± .010 ± 30'
.XXX ± .005

MILLIMETERS
.X = ± .4
.XX = ± .12

THIS DRAWING IS THE PROPERTY OF THE BIRD ELECTRONIC CORPORATION. THE DESIGNS AND SPECIFICATIONS DISCLOSED HEREON ARE PROPRIETARY AND SHALL NOT BE REPRODUCED, NOR COPIED, NOR USED AS THE BASIS FOR THE MANUFACTURE OR SALE OF APPARATUS OR DEVICES WITHOUT THEIR EXPRESS WRITTEN CONSENT.



DO NOT SCALE DRAWING

MATERIAL

FINISH BRIGHT NICKEL PLATE PER BPS-1030 CODE 11

APPROVALS	DATE	TITLE
DRAWN D. M. RINK	8-06-02	CONNECTOR, D. C. /OUTLINE
CHECKED J. EIKINS	8-6-02	
APPROVED J. EIKINS	8-6-02	
AUTOCAD		

SIZE	FSCM NO.	DWG NO.	REV
A	70998	DL7500-076	E
SCALE FULL	COMM CODE CA2	SHEET 1 OF 1	