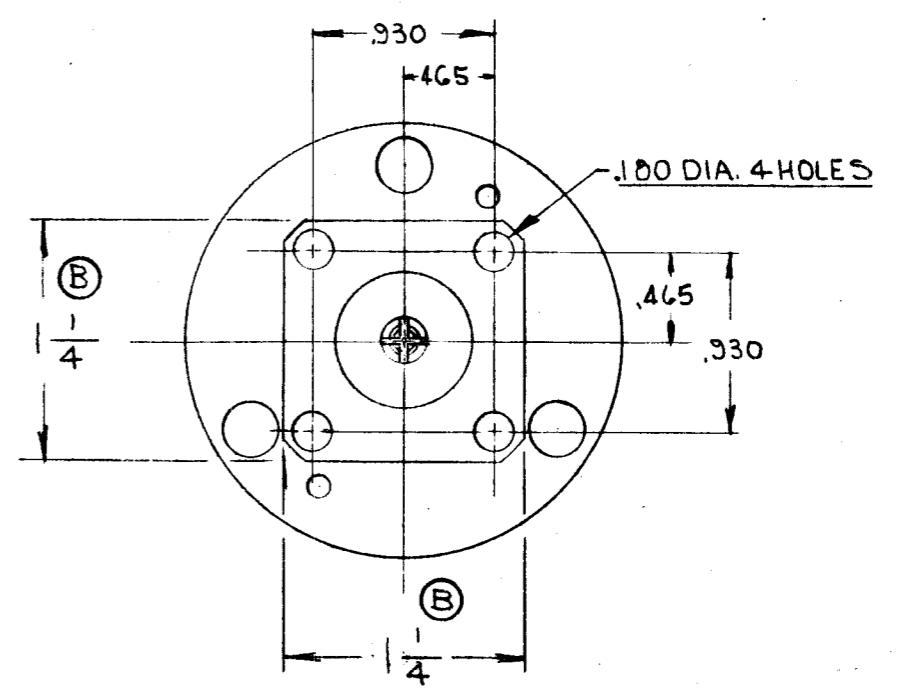
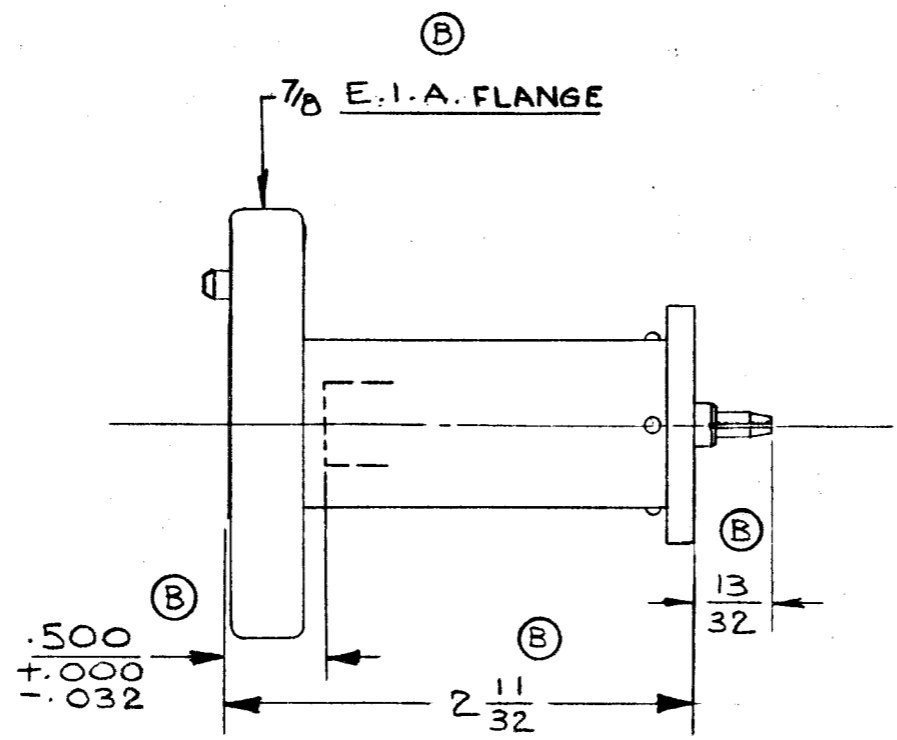
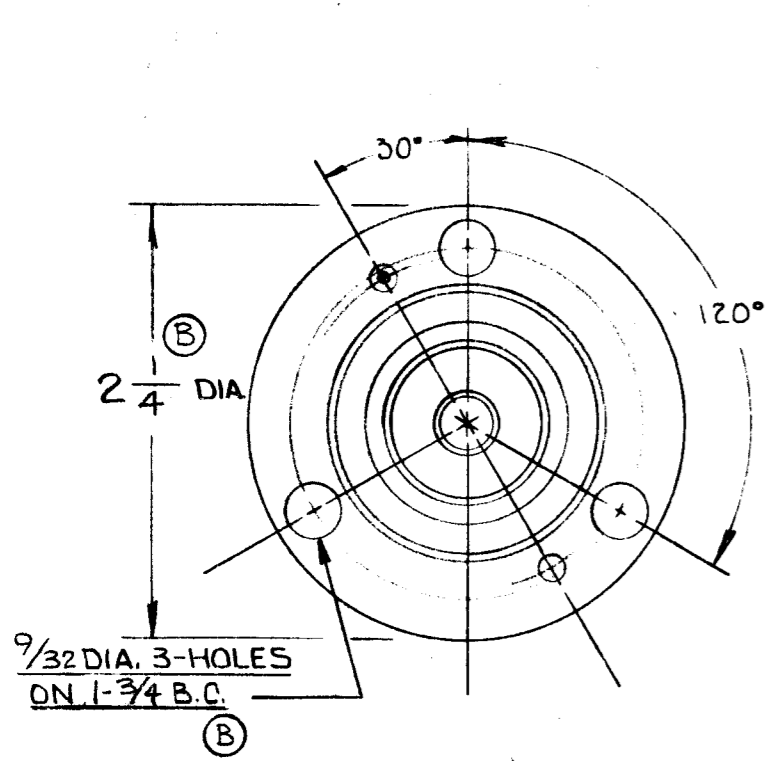


OL 4240-000

REVISIONS	
A	WAS SILVER PLT. R.R.W. 8-1-66 ECN 155
B	REVISED DIMENSIONS PER ECN 1693, D.A. 4-12-71
C	REVISED PER ECN 4670 J.S. 9-17-82



DIMENSIONS HEREON ARE FOR CUSTOMER CONVENIENCE AND REFERENCE ONLY. TOLERANCE TO BE APPLIED ONLY WHERE INDIVIDUALLY STATED ON THE RESPECTIVE DIMENSION.

DO NOT SCALE DRAWING. DIMENSIONS ARE IN INCHES					ITEM	REQ.	DWG. NO.	DESCRIPTION
MATERIAL	KIND AND TEMPER	TREATMENT	SCALE	DRAWN	CHECKED	APPROVED	TITLE	
			FULL	BROWN 6-10-59	<i>[Signature]</i> 4-13-61		OUTLINE, CONNECTOR, $\frac{7}{8}$ EIA QUICK CHANGE	
NOMINAL SIZE	STOCK	COMM'L LIMITS	WT. PER 1000	FINISH				DRAWING NUMBER
			(A)	BR. NICKEL PLATE	M	BIRD ELECTRONIC CORP. CLEVELAND, OHIO	B	014240-002