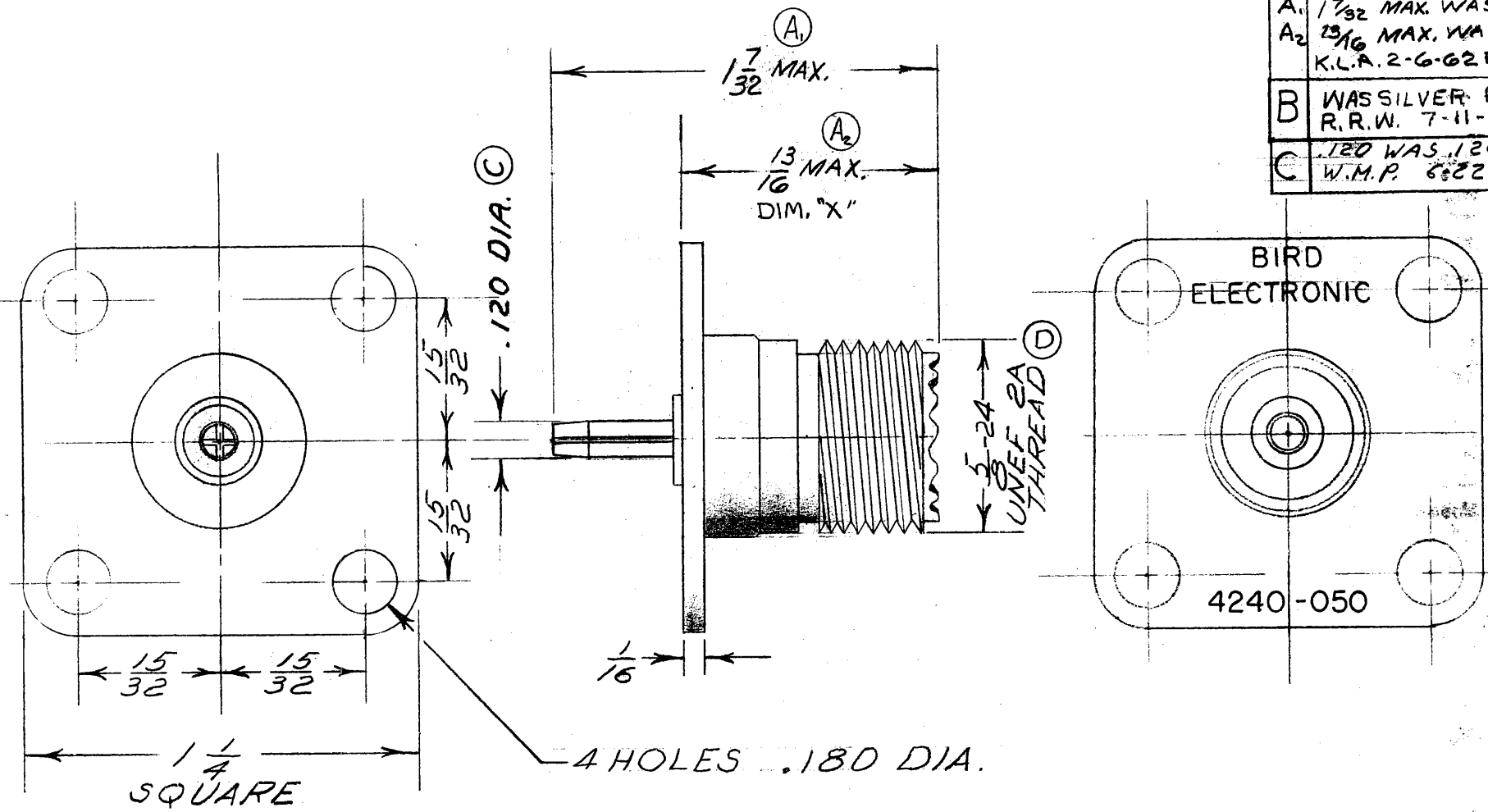


D ADDED UNEF-2A  
THD. G.C. 5-28-69

DRAWING NO. <b>OL 4240-050</b>	
REVISIONS	
A <sub>1</sub>	17/32 MAX. WAS 13/16
A <sub>2</sub>	13/16 MAX. WAS 25/32 K.L.A. 2-6-62 ECN 747
B	WAS SILVER PL. R.R.W. 7-11-66 ECN 755
C	120 WAS 1200 ± .0005 W.M.P. 6-22-67



DO NOT SCALE DRAWING. DIMENSIONS ARE IN INCHES AND TOLERANCE IS ± .005 ON DECIMALS AND ± 1/64 ON FRACTIONAL DIMENSIONS UNLESS OTHERWISE SHOWN.

MATERIAL				KIND AND TEMPER		TREATMENT		SCALE		DRAWN		CHECKED		APPROVED		TITLE		DESCRIPTION	
								2/1		R.J.H. 1-8-60		K.B. 1-14-60				OUTLINE, CONN, UHF, FEMALE		F	
NOMINAL SIZE		STOCK		COMM'L LIMITS		WT. PER 1000		FINISH		M		BIRD ELECTRONIC CORP.		DRAWING NUMBER					
						(B)		BRIGHT NICKEL P.T.				CLEVELAND, OHIO		A		OL 4240-050			