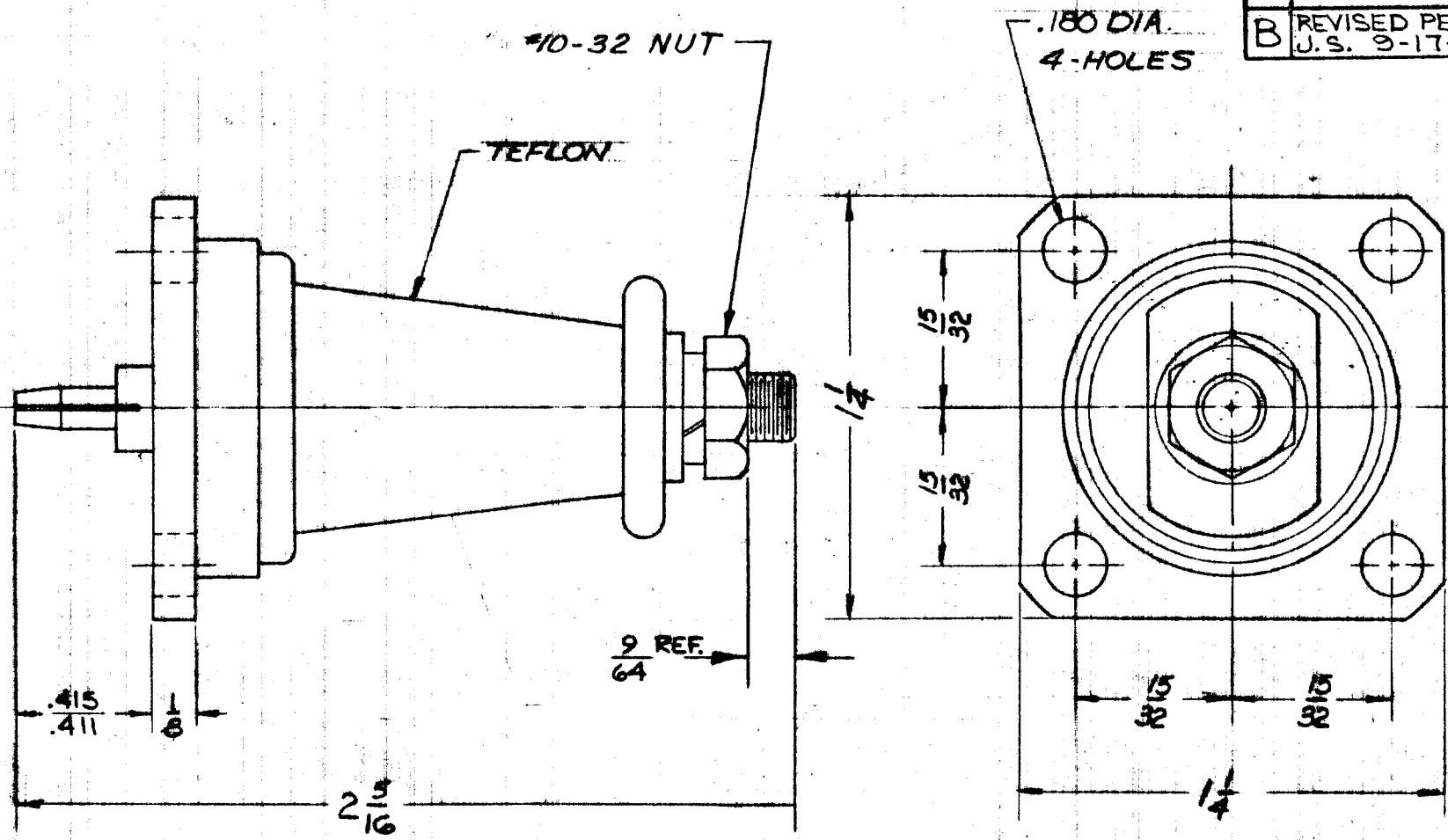


DRAWING NO.  
OL4240-080

REVISIONS	
A	WAS BR. SILVER PLT. R.R.W. 7-12-66 ECN 155
B	REVISED PER ECN 4670 J.S. 9-17-82



DO NOT SCALE DRAWING. DIMENSIONS ARE IN INCHES AND TOLERANCE IS ± .005 ON DECIMALS AND ± 1/64 ON FRACTIONAL DIMENSIONS UNLESS OTHERWISE SHOWN.				ITEM	REQ.	DWG. NO.	DESCRIPTION
MATERIAL	KIND AND TEMPER	TREATMENT	SCALE	DRAWN	CHECKED	APPROVED	TITLE
			2-1	K.L.A. 5-7-62	E.B. 6-8-62	L.B. 5-3-63	OUTLINE, CONNECTOR, Q.C. OPEN TERM.
NOMINAL SIZE	STOCK	COMM'L. LIMITS	WT. PER 1000	M BIRD ELECTRONIC CORP. CLEVELAND, OHIO			DRAWING NUMBER
			(A) FINISH BRIGHT NICKEL PLT.				(B) OL4240-080