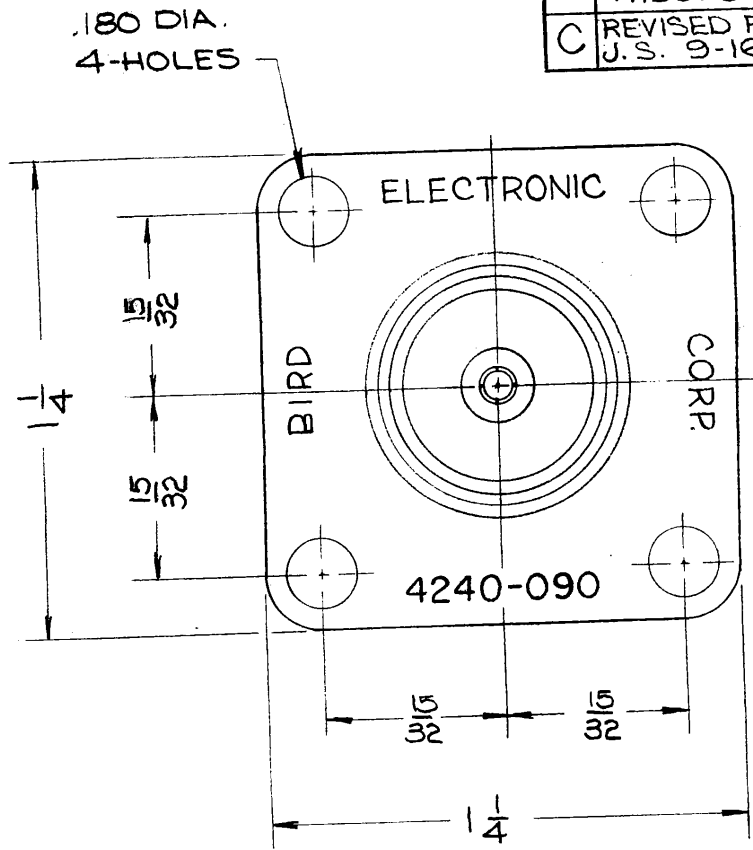
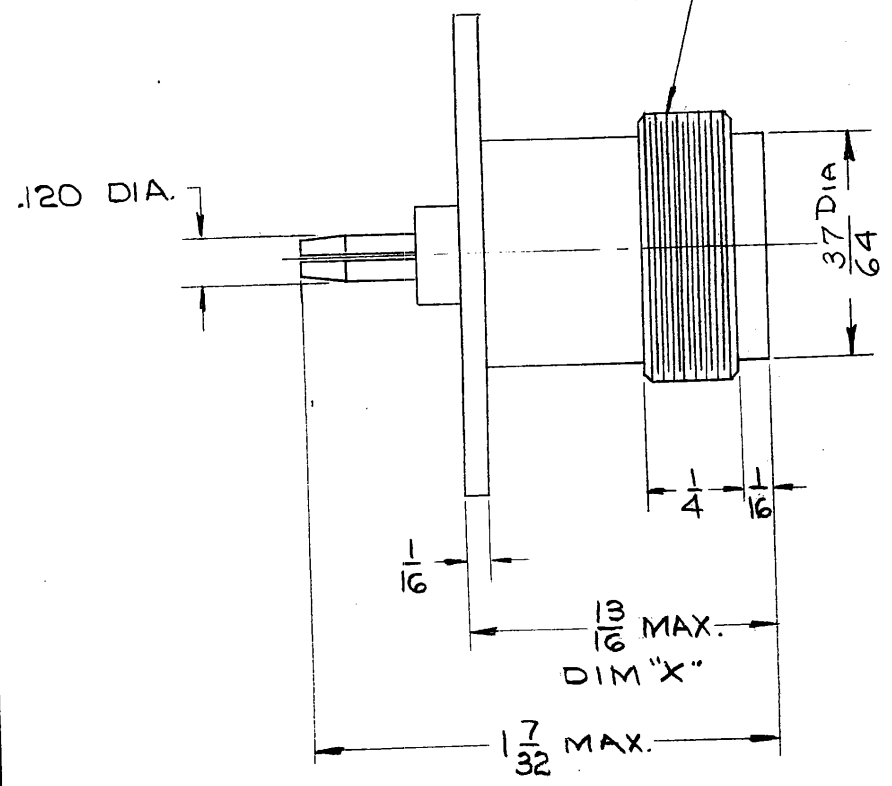


D PICTORIAL CHANGE J.C.
8-27-85 ECN 6008

DRAWING NO.
OL4240-090

REVISIONS	
A	WAS BR. SILVER PLT. R.R.W. 7-12-66 ECN 755
B	ADDED UNEF-2A THDS. G.C. 5-28-69
C	REVISED PER ECN 4670 J.S. 9-16-82

(B)
11/16-24 UNEF-2A THDS



DO NOT SCALE DRAWING. DIMENSIONS ARE IN INCHES AND TOLERANCE IS ± .005 ON DECIMALS AND ± 1/64 ON FRACTIONAL DIMENSIONS UNLESS OTHERWISE SHOWN.			ITEM	REQ.	DWG. NO.	DESCRIPTION	F
MATERIAL	KIND AND TEMPER	TREATMENT	SCALE	DRAWN	CHECKED	APPROVED	TITLE
			2/1	K.L.A.	R.B.	L.B.	OUTLINE, CONN, SC. - QC. FEMALE
NOMINAL SIZE	STOCK	COMM'L LIMITS	WT. PER 1000	6-18-62	8-20-62	8-20-62	DRAWING NUMBER
			(A) FINISH BRIGHT NICKEL PLT.	BIRD ELECTRONIC CORP. CLEVELAND, OHIO			A OL4240-090