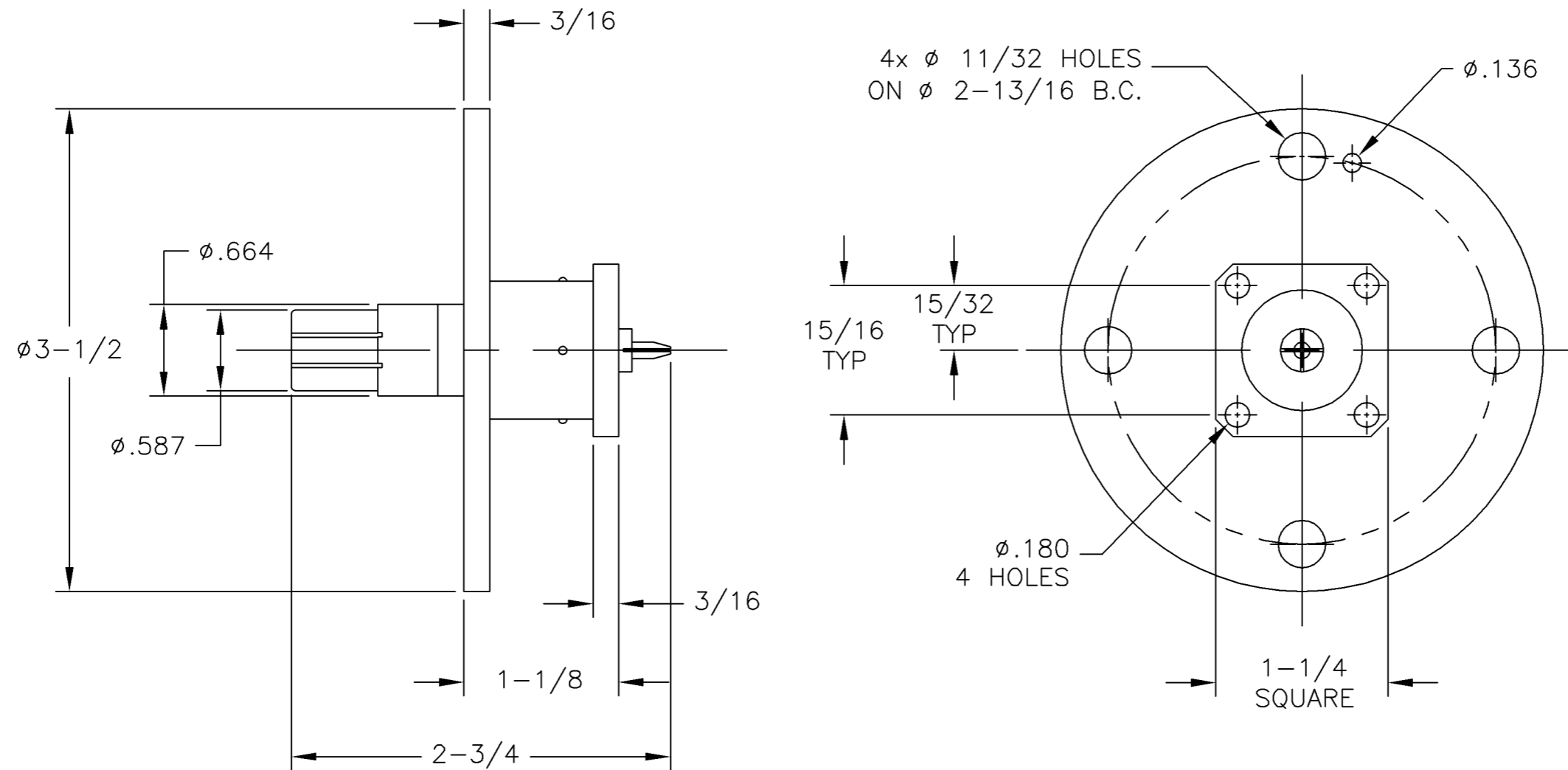


REVISIONS				
ZONE	REV	DESCRIPTION	DATE	APPROVED
	C	REMOVE STAMPING/ECO 12496 dmr	6-29-05	JW



UNLESS OTHERWISE SPECIFIED DIMENSIONS ARE IN INCHES TOLERANCES ARE:	MILLIMETERS .X = ±.4 .XX = ±.12
FRACTIONS ± 1/64	DECIMALS .XX = ±.010 .XXX = ±.005
ANGLES ± 30'	
DO NOT SCALE DRAWING	
MATERIAL	
FINISH	BRIGHT NICKEL PLATE

THIS DRAWING IS THE PROPERTY OF THE BIRD ELECTRONIC CORPORATION. THE DESIGNS AND SPECIFICATIONS DISCLOSED HEREON ARE PROPRIETARY AND SHALL NOT BE REPRODUCED, NOR COPIED, NOR USED AS THE BASIS FOR THE MANUFACTURE OR SALE OF APPARATUS OR DEVICES WITHOUT THEIR EXPRESS WRITTEN CONSENT.	
APPROVALS	DATE
DRAWN K.L.A.	6-11-63
CHECKED R.B.	7-11-63
APPROVED L.B.	6-19-63
AUTOCAD	

BIRD Electronic Corporation
Cleveland (Solon) Ohio USA

OUTLINE, CONN
1-5/8 FIXED FLANGE, QC

SIZE B	FSCM NO. 70998	DWG. NO. OL4240-096	REV C
SCALE FULL	COMM CODE	SHEET 1 OF 1	