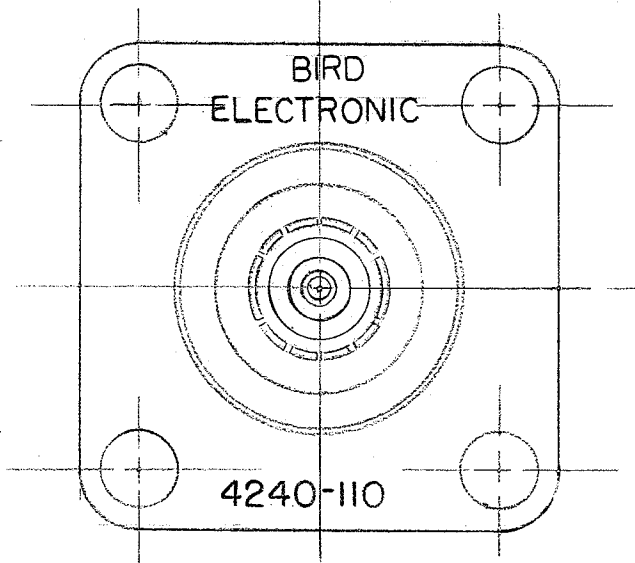
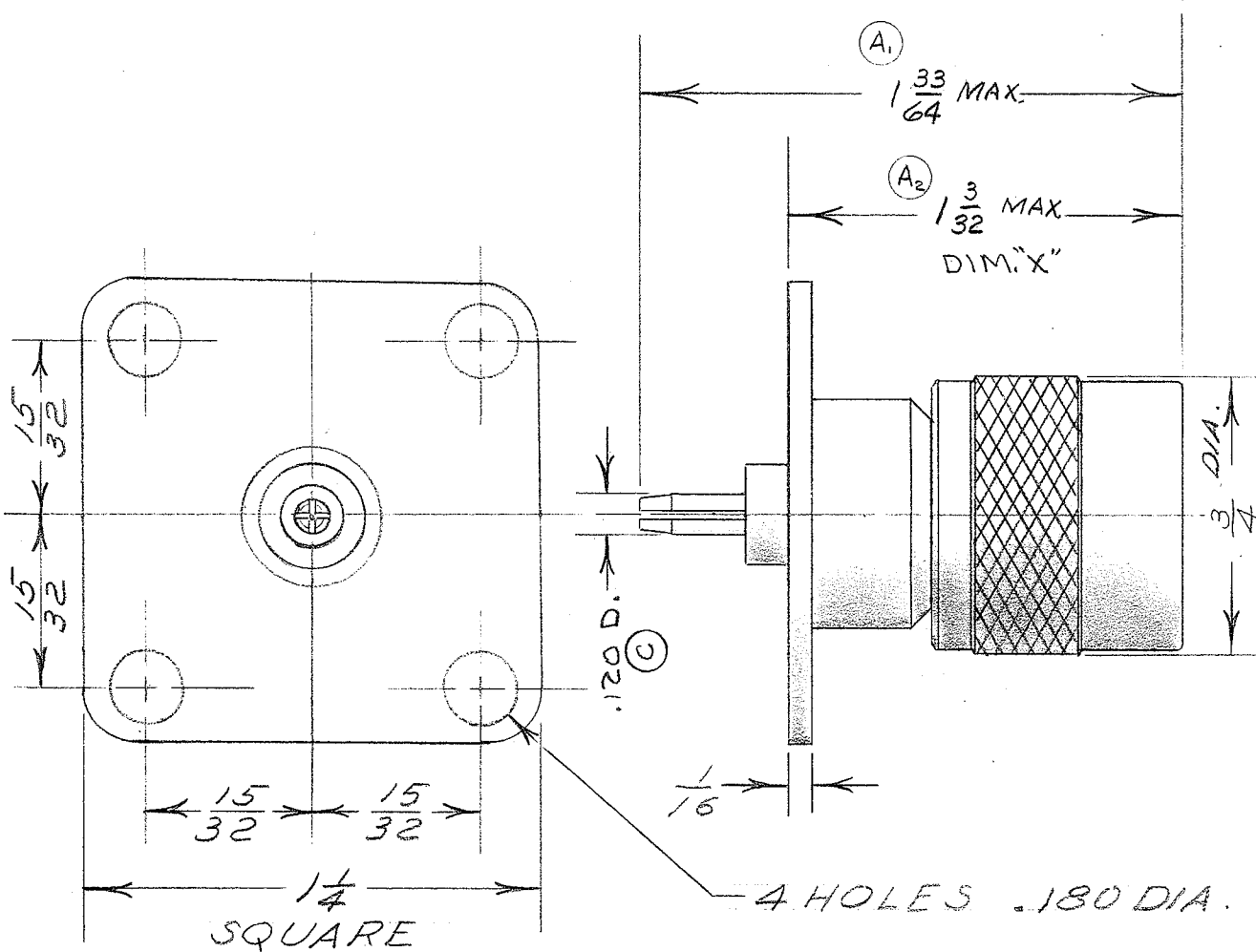


DRAWING NO.  
OL 4240-110

REVISIONS

A <sub>1</sub>	1 33/64 MAX. WAS 1 31/64
A <sub>2</sub>	1 3/32 MAX. WAS 1 1/16 K.L.A. 2-6-62 E.C.N. 147
B	WAS SILVER PLT. R.R.W. 7-12-66 ECN 755
C	.120 D. WAS .1200 ± .0005 RR 5-24-68



DO NOT SCALE DRAWING. DIMENSIONS ARE IN INCHES AND TOLERANCE IS ± .005 ON DECIMALS AND ± 1/64 ON FRACTIONAL DIMENSIONS UNLESS OTHERWISE SHOWN.				ITEM	REQ.	DWG. NO.	DESCRIPTION
MATERIAL	KIND AND TEMPER	TREATMENT	SCALE	DRAWN	CHECKED	APPROVED	TITLE
			2/1	R.J.H. 1-11-60	R.B. 1-14-60		OUTLINE, CONNECTOR, MALE "C"
NOMINAL SIZE	STOCK	COMM'L LIMITS	WT. PER 1000	FINISH	M	DRAWING NUMBER	
			(B)	BRIGHT NICKEL PLT.		BIRD ELECTRONIC CORP. CLEVELAND, OHIO	A   OL 4240-110