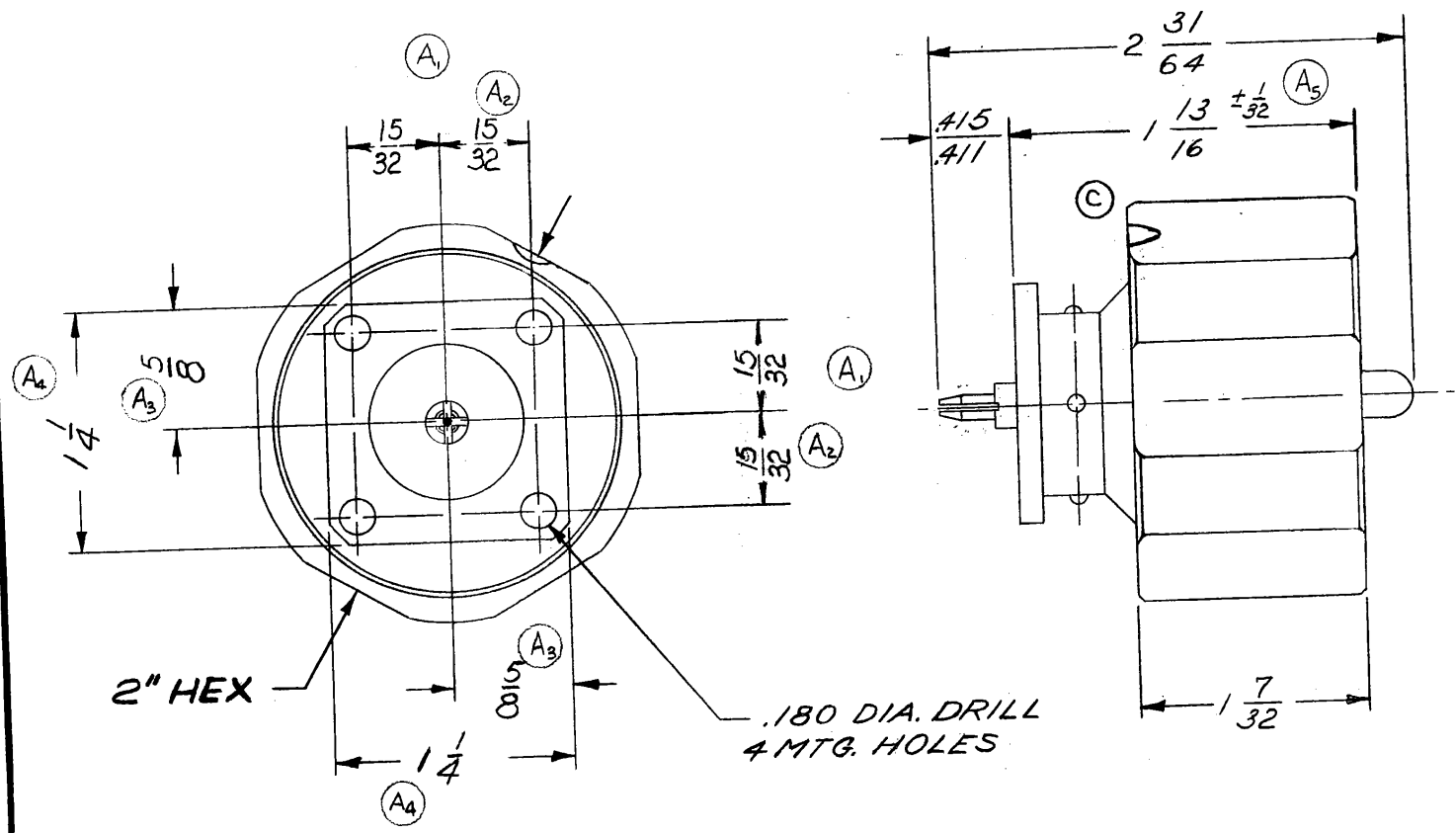


DRAWING NO.	
OL4240-138	
REVISIONS	
A.	REMOVED .930 DIM.
A <sub>2</sub>	15/32 WAS .465
A <sub>3</sub>	5/8 WAS .625
A <sub>4</sub>	1/4 WAS 1.250
A <sub>5</sub>	ADDED TOL. ± 1/32 K.L.A. 2-6-62 E.C.N. 147
B	WAS SILVER PLT. R.R.W. 7-12-66 ECN 755
C	ADDED SLOT ~ WWB 1-15-74 ~ ECN 2157
D	REVISED PER ECN 4670 J.S. 9-17-82



DO NOT SCALE DRAWING. DIMENSIONS ARE IN INCHES AND TOLERANCE IS ± .005 ON DECIMALS AND ± 1/64 ON FRACTIONAL DIMENSIONS UNLESS OTHERWISE SHOWN.

MATERIAL	KIND AND TEMPER	TREATMENT
NOMINAL SIZE	STOCK	COMM'L LIMITS
		WT. PER 1000

SCALE	DRAWN	CHECKED	APPROVED
FULL	LASKO	<i>J. Lasko</i>	
	9-8-59	3-2-61	
FINISH			
BRIGHT			
NICKEL PLT.			

ITEM	REQ.	DWG. NO.	DESCRIPTION
			F
TITLE			OUTLINE, CONN, MALE "LC"
			(UG-156 AU)
DRAWING NUMBER			D
			OL4240-138

**BIRD ELECTRONIC CORP.**  
CLEVELAND, OHIO