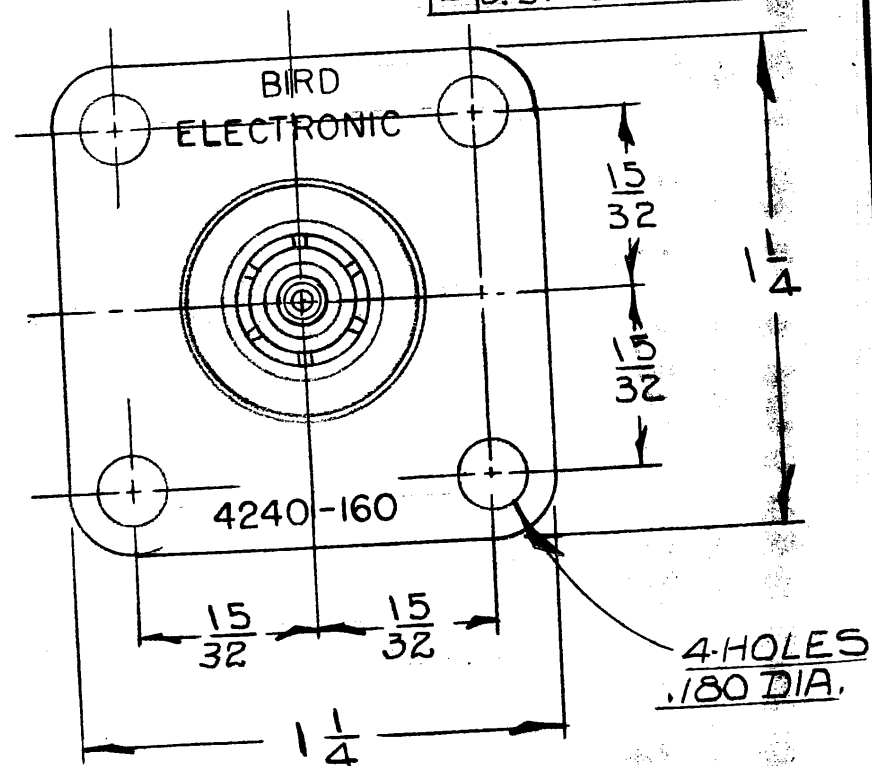
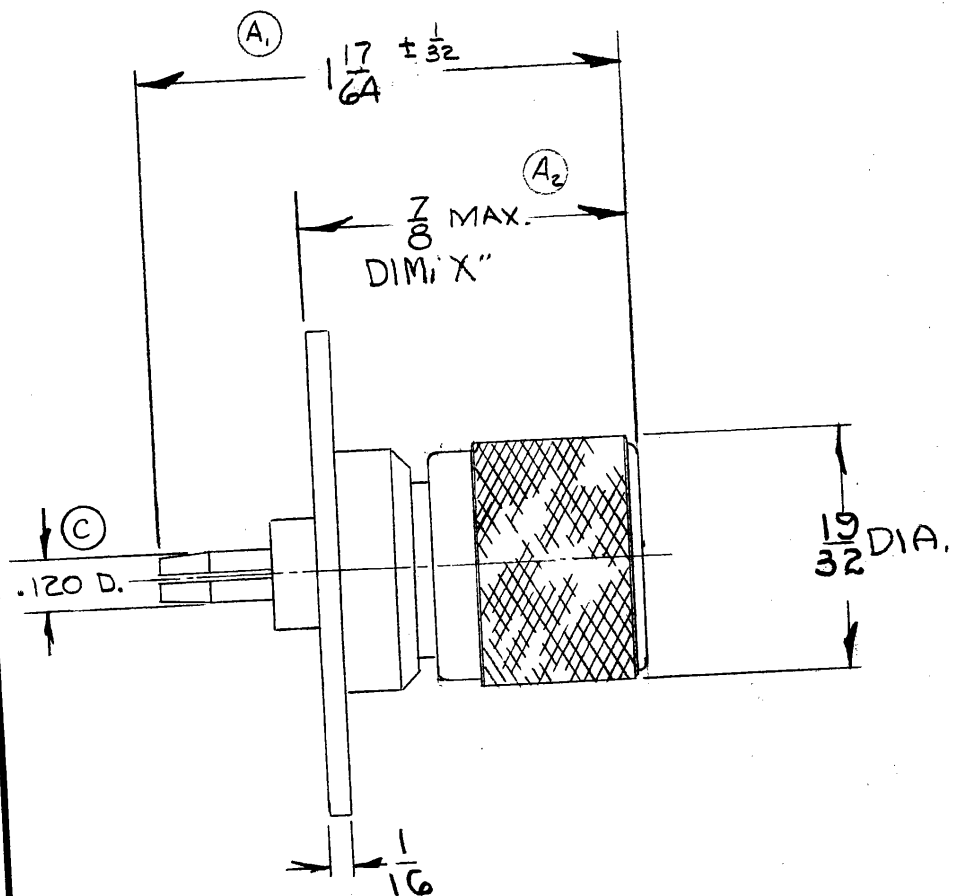


DRAWING NO.

0L4240-160

## REVISIONS

A <sub>1</sub>	$1\frac{17}{64} \pm \frac{1}{32}$ WAS 1.257
A <sub>2</sub>	$\frac{7}{8}$ MAX. WAS .844 K.L.A. 2-6-62 ECN 147
B	WAS BR. SILVER P.T. R.R.W. 7-13-66 ECN 155
C	.120 D. WAS .1200 $\pm .0005$ RR 5-24-68
D	REVISED PER ECN 4670 J.S. 9-17-82



DO NOT SCALE DRAWING. DIMENSIONS ARE IN INCHES AND TOLERANCE IS  $\pm .005$  ON DECIMALS AND  $\pm 1/64$  ON FRACTIONAL DIMENSIONS UNLESS OTHERWISE SHOWN.

MATERIAL		KIND AND TEMPER	TREATMENT	SCALE	DRAWN	CHECKED	APPROVED	TITLE	DESCRIPTION
				2-1	RKB 12-31-59	BENNETT 1-5-60		OUTLINE, CONN, MALE "TNC"	F
NOMINAL SIZE	STOCK	COMM'L LIMITS	WT. PER 1000	FINISH		M		BIRD ELECTRONIC CORP.	A
			(B)	BRIGHT NICKEL P.T.		CLEVELAND, OHIO		DRAWING NUMBER	(D) 0L4240-160