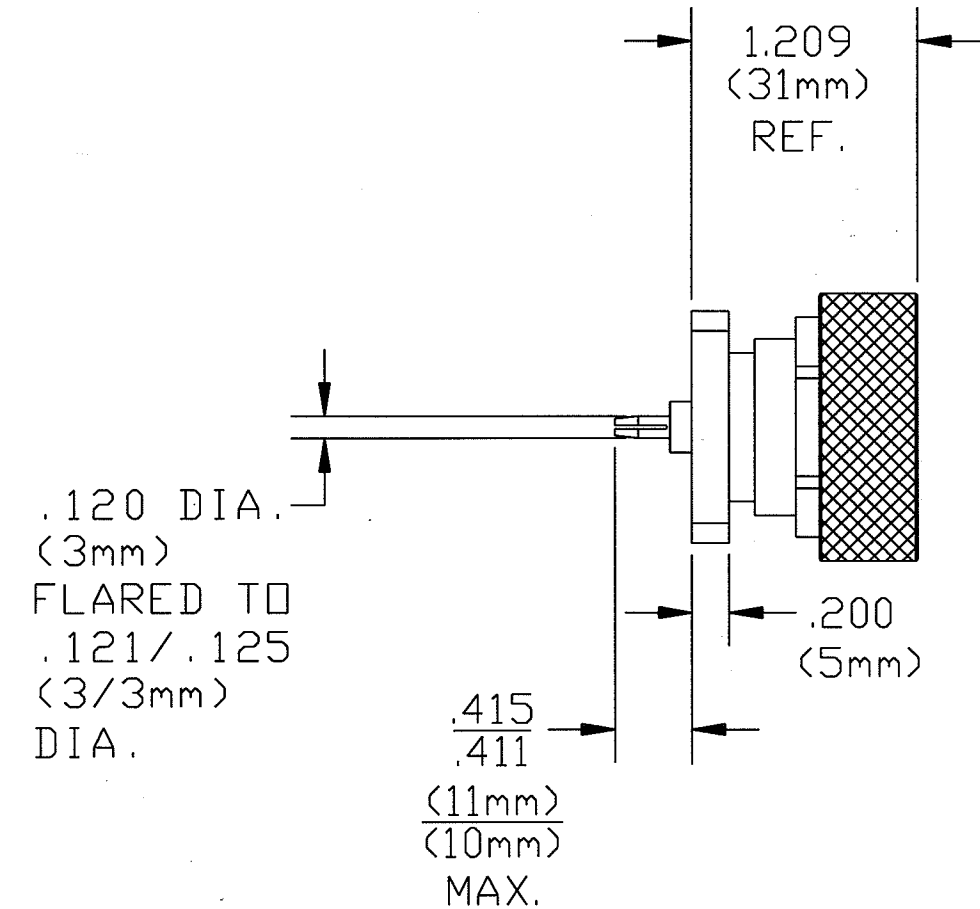
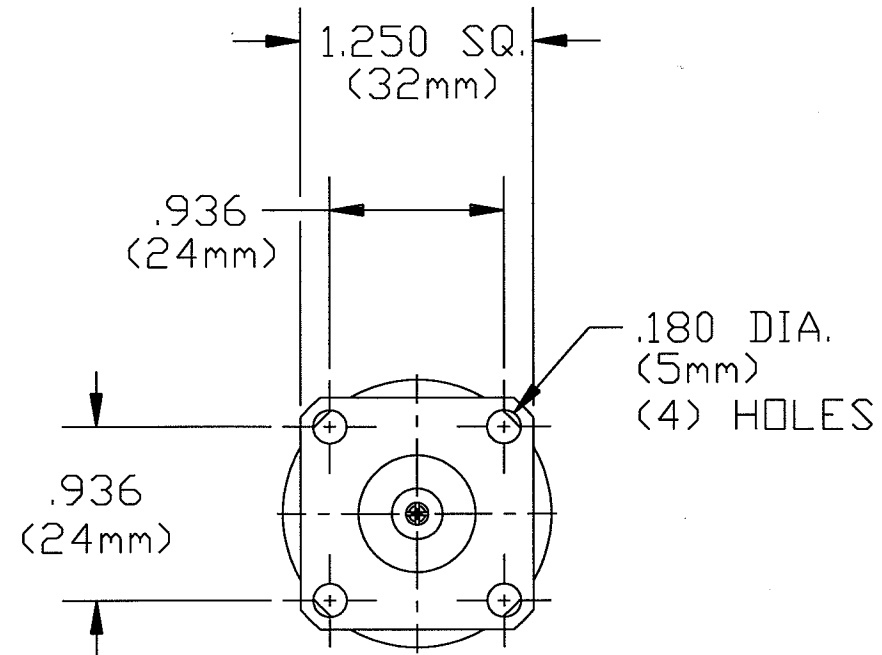


DL4240-363  
 DWG NO. 1 OF 1


REVISIONS			
LTR.	SECTION	DESCRIPTION	DATE
A		FINAL RELEASE PER J.E.	2-13-96



DIMENSIONS HEREON ARE FOR CUSTOMER  
 CONVENIENCE AND REFERENCE ONLY.  
 TOLERANCE TO BE APPLIED ONLY WHERE  
 INDIVIDUALLY STATED ON THE RESPECTIVE  
 DIMENSION. -DO NOT SCALE DRAWING-

SPECIFICATIONS

IEC TYPE 169-4 MALE 7/16 Q.C. CONNECTOR

ITEM	REQ.	DRAWING NO.	DESCRIPTION
MATERIAL:		 <b>BIRD Electronic Corporation</b> Cleveland (Solon) Ohio USA	DESCRIPTION: CONNECTOR, IEC 7/16, PLUG/OUTLINE
DRAWN J.D.W. 2-13-96			SUB-DESCRIPTION:
CHECKED A. SNYDER 2-13-96			SCALE: FULL
APPROVED J.EIKINS 2-13-96		FINISH: SILVER PLATE PER QQ-S-365	ITEM TYPE:
CODE IDENT. NO. 70998		COM. CD. CA1	SIZE B
			DRAWING NO. DL4240-363 1 OF 1