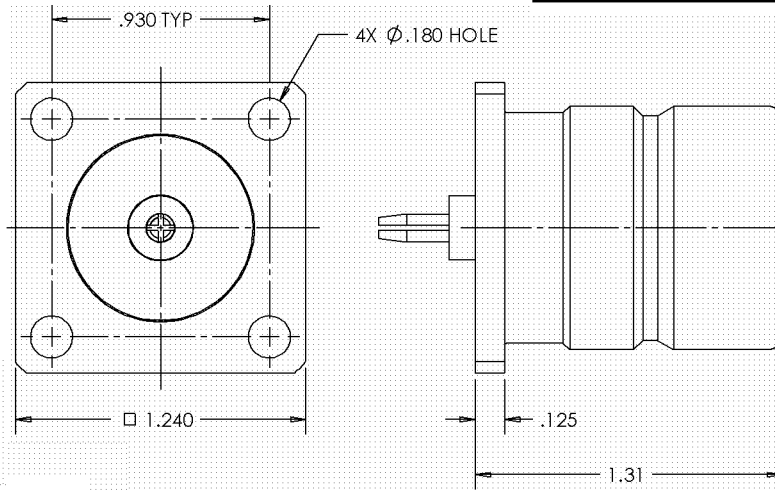


CONNECTOR, COAXIAL, RF
SQS(f) to QC(m) ADAPTER



DRAWING / ITEM NUMBER	DESCRIPTION	REV
4240-371	Conn., SQS(f) to QC	B

4240-371

ENGINEERING DATA:

RoHS
COMPLIANT

ELECTRICAL:
IMPEDANCE: 50 OHMS NOMINAL

MECHANICAL:
INTERFACE: SQS(f) PER TRU SPEC
QC(m) PER TRU SPEC

MATERIAL:
INSULATOR: PTFE (TEFLON) PER ASTM-D1710, II A
CONTACTS: BERYLLIUM COPPER C17300, TD04 (H) PER ASTM-B196
BODY: BRASS C36000, H02 PER ASTM-B16

FINISH:
CONTACTS: SILVER PLATED
BODY: NICKEL PLATED

NOTES:
1. UNLESS OTHERWISE SPECIFIED; ALL
DIMENSIONS ARE REFERENCE ONLY.

2. PRODUCT COMPLIES WITH ROHS DIRECTIVE 2002/95/EC.

QC Series

ELECTRICAL

Nominal Impedance: 50 ohms
Frequency Range: DC to 7 GHz
Voltage Rating: 2,700 volts rms
Dielectric Withstanding Voltage: 4,000 volts rms
Insulation Resistance: 10,000 megohms
VSWR: 1.30 max DC-7GHz
Intermodulation: -155 dBc

ENVIRONMENTAL

Temperature Range: -85°F to +329°F
(-65°C to +165°C)