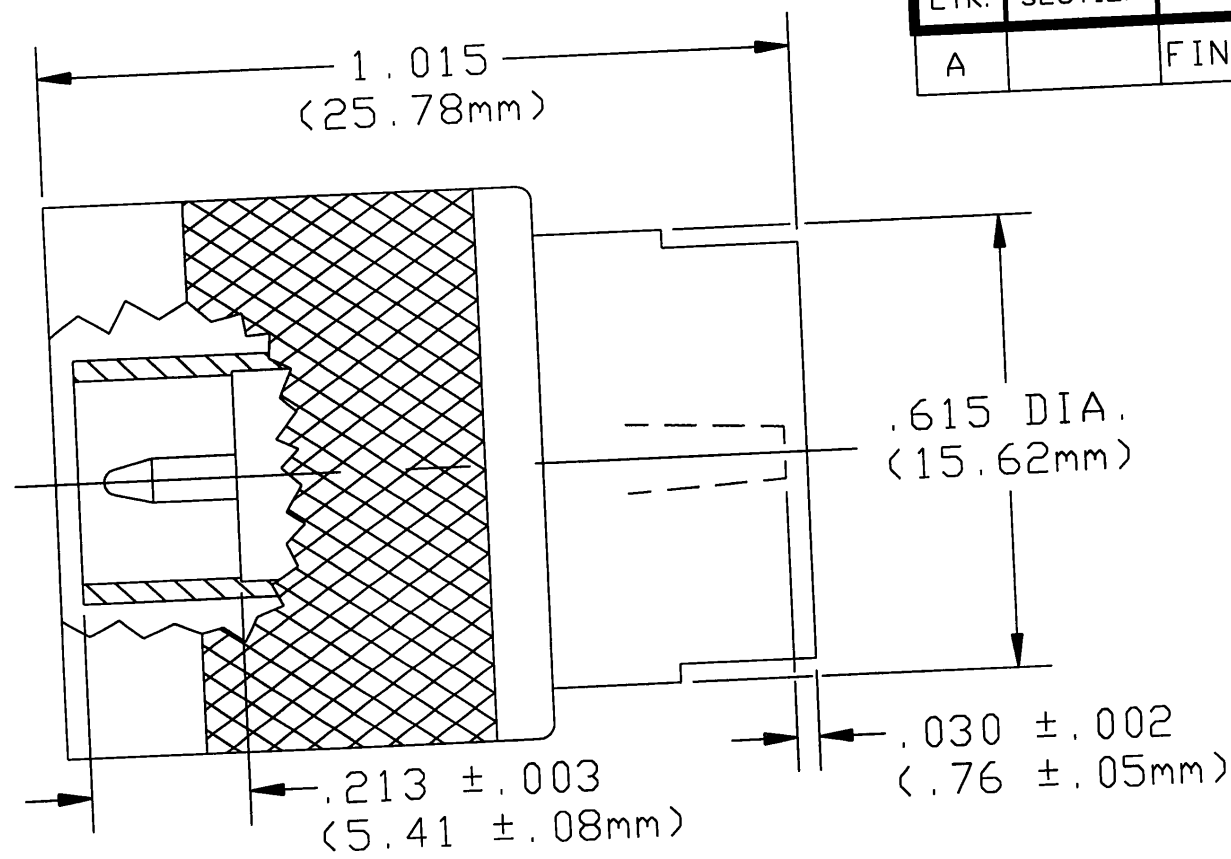



REVISIONS		DRAWING NO. <u>DL4240-402</u>	
		1 OF 1	
LTR.	SECTION	DESCRIPTION	DATE
A		FINAL RELEASE/ECN 9449 T.V.	6-19-95



DIMENSIONS HEREON ARE FOR CUSTOMER CONVENIENCE AND REFERENCE ONLY. TOLERANCE TO BE APPLIED ONLY WHERE INDIVIDUALLY STATED ON THE RESPECTIVE DIMENSION. -DO NOT SCALE DRAWING-

WEIGHT:
1.09oz. (31g)

THIS DRAWING IS THE PROPERTY OF THE BIRD ELECTRONIC CORPORATION. THE DESIGNS AND SPECIFICATIONS DISCLOSED HEREON IS PROPRIETARY AND SHALL NOT BE REPRODUCED, NOR COPIED, NOR USED AS THE BASIS FOR THE MANUFACTURE OR SALE OF APPARATUS OR DEVICES WITHOUT THEIR EXPRESS WRITTEN CONSENT.

ITEM	REQ.	DRAWING NO.	DESCRIPTION
MATL.:			
		 BIRD Electronic Corporation Cleveland (Solon) Ohio USA	
		DESCRIPTION: CONNECTOR, MALE N/OUTLINE	
		SUB-DESCRIPTION:	
DRAWN J. WHEELER 6-19-95		SCALE: 4 : 1	SIZE <u>A</u>
CHECKED A. SNYDER 12-6-95		ITEM TYPE:	DRAWING NO. <u>DL4240-402</u>
APPROVED <i>T. Vangelis</i> 12-28-95		COM. CD. CA1	1 OF 1
CODE IDENT. NO. 70998			