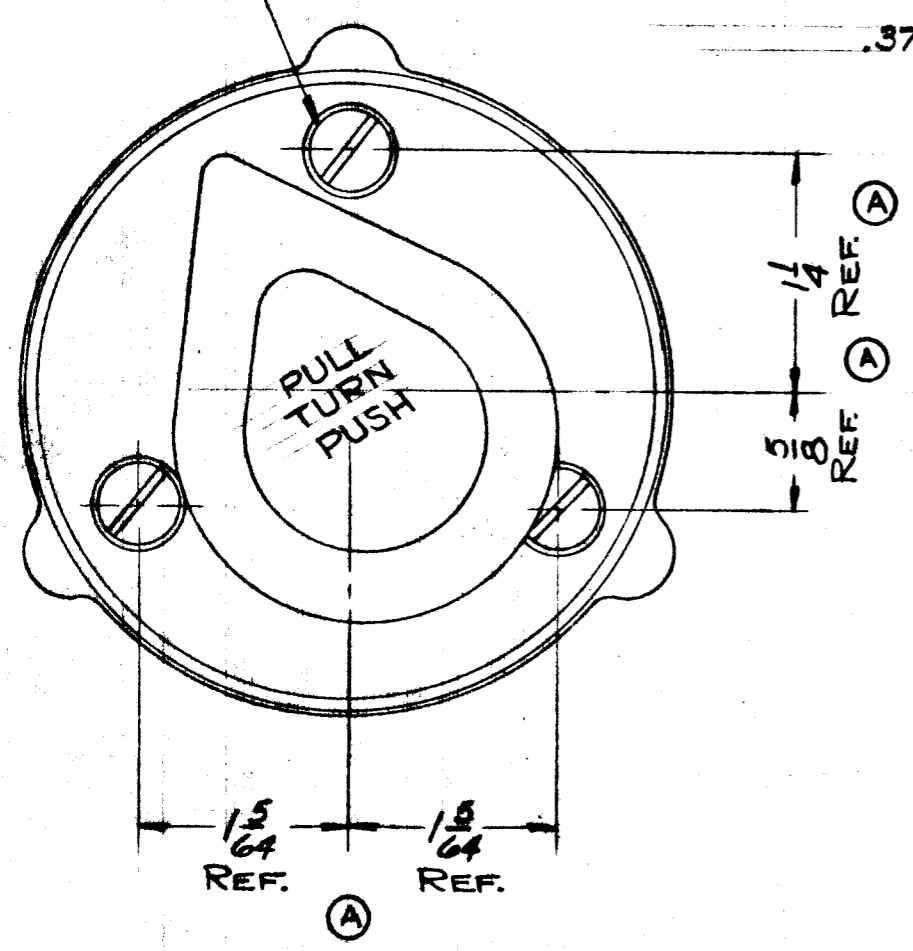


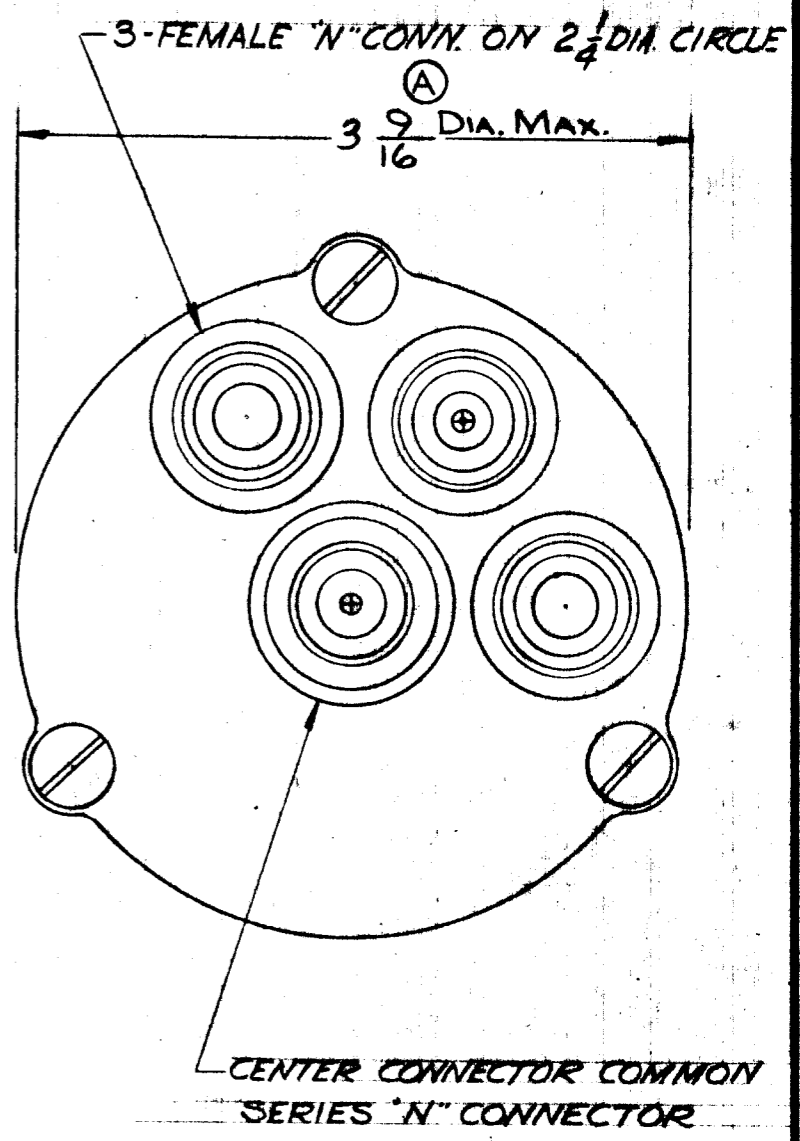
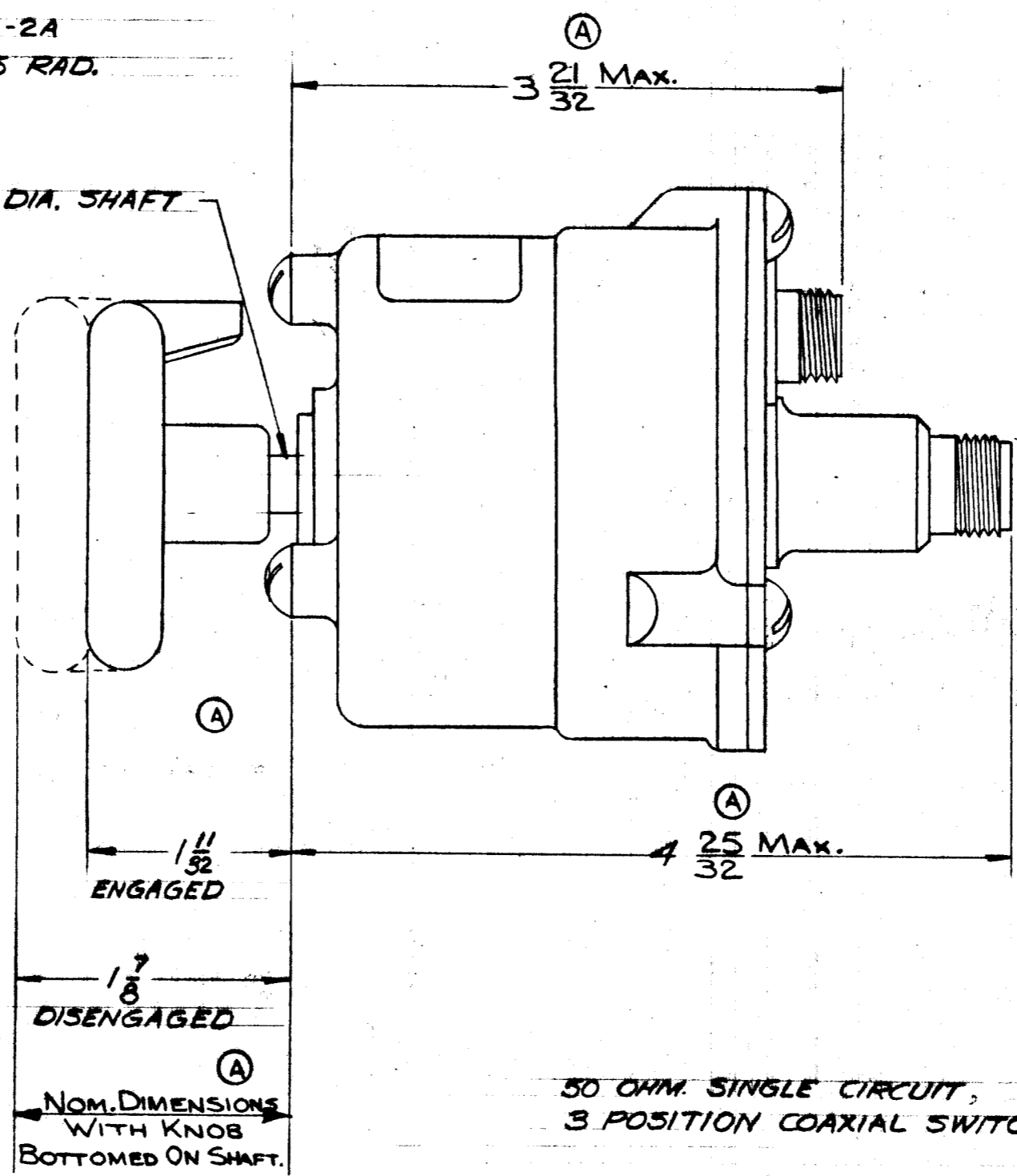
7441-000

REVISIONS	
A	REVISED DIMENSIONS PER ECN 1691, D.A. 4-13-71

.22 MOUNTING HOLES FOR #10-32 N.F.-2A SCREWS SPACED AT 120° ON 1.25 RAD.



.375 DIA. SHAFT



50 OHM. SINGLE CIRCUIT,
3 POSITION COAXIAL SWITCH

DIMENSIONS HEREON ARE FOR CUSTOMER CONVENIENCE AND REFERENCE ONLY. TOLERANCE TO BE APPLIED ONLY WHERE INDIVIDUALLY STATED ON THE RESPECTIVE DIMENSION.

DO NOT SCALE DRAWING. DIMENSIONS ARE IN INCHES					ITEM	REQ.	DWG. NO.	DESCRIPTION
MATERIAL	KIND AND TEMPER	TREATMENT	SCALE	DRAWN	CHECKED	APPROVED	TITLE	MODEL
			FULL	K.L.A.	R.B.		OUTLINE, COAXSWITCH, 7441	7441
NOMINAL SIZE	STOCK	COMM'L LIMITS	FINISH	M	BIRD ELECTRONIC CORP.			DRAWING NUMBER
			BLACK		CLEVELAND, OHIO			B 7441-000