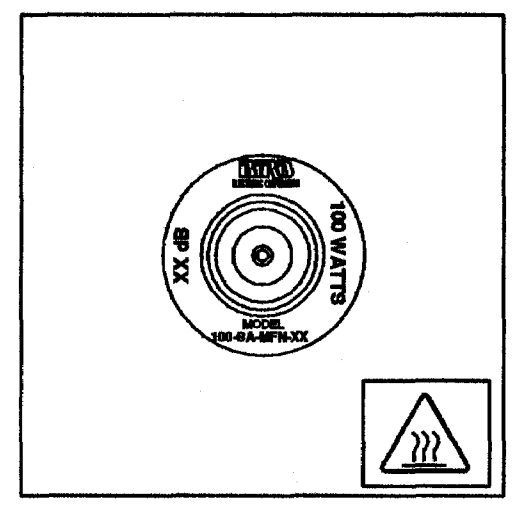
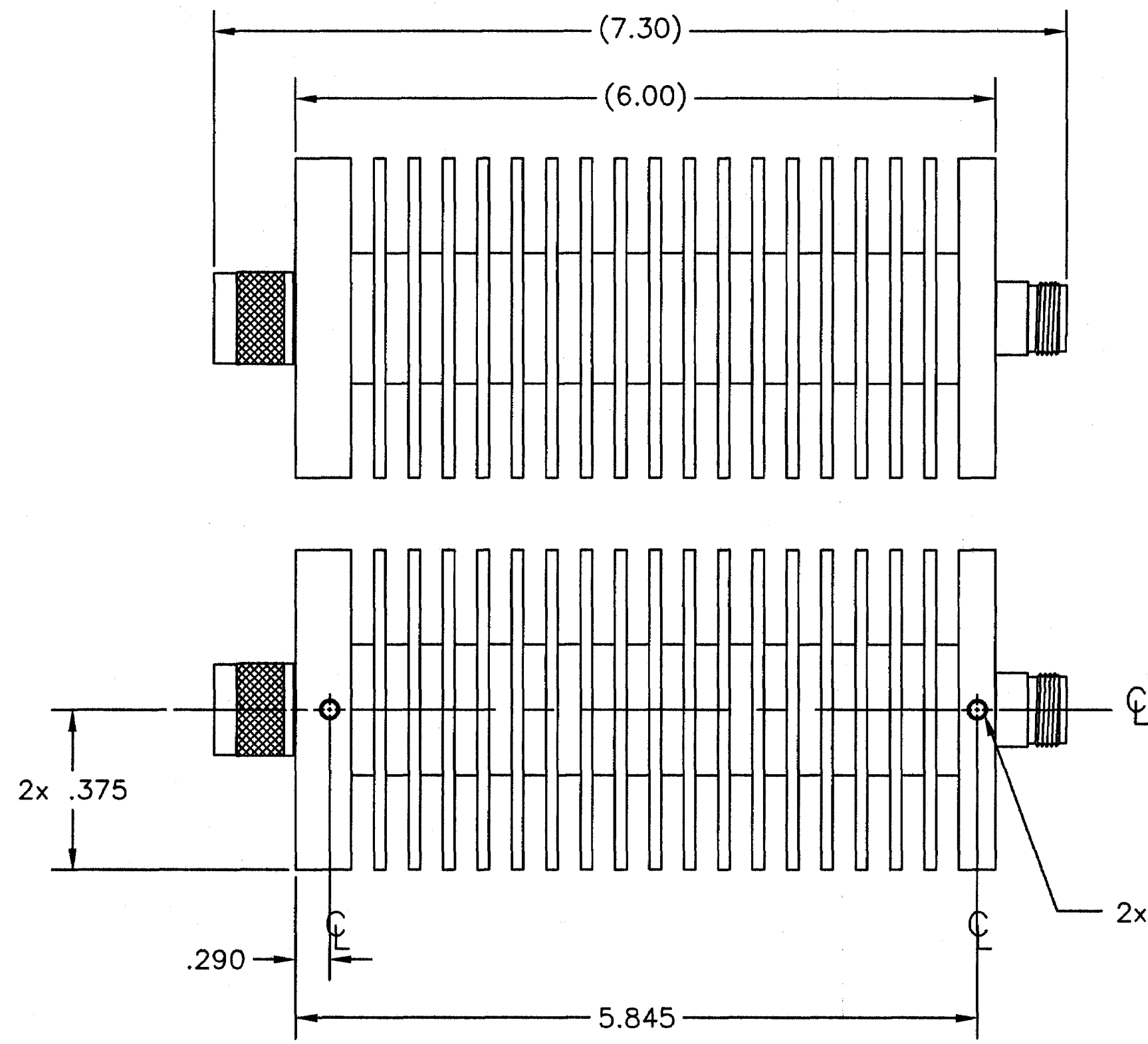
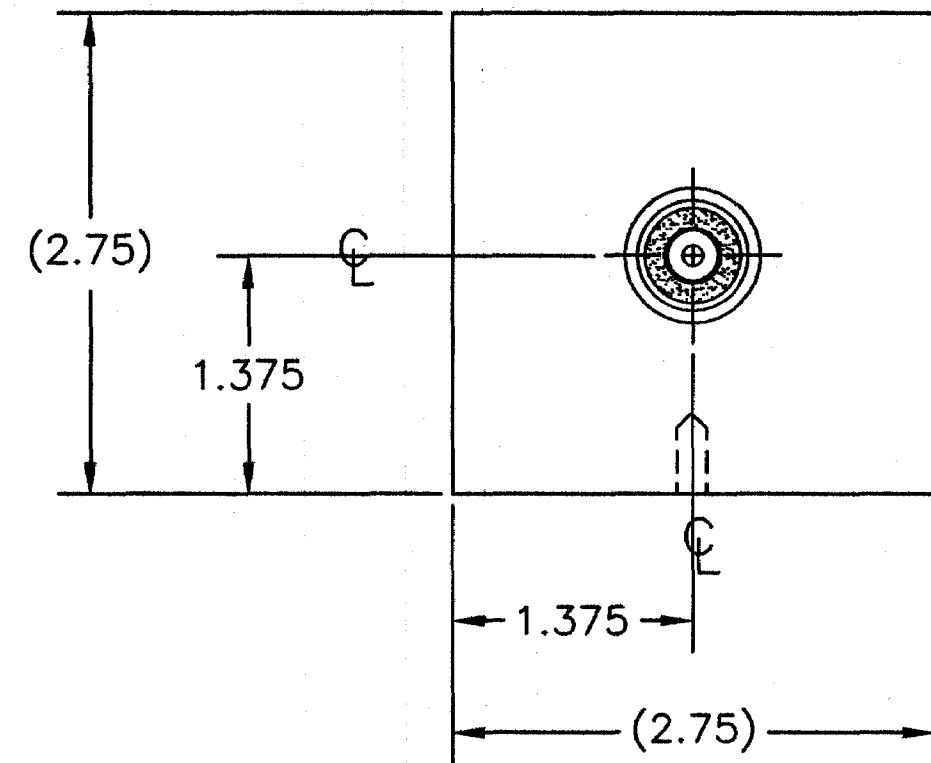


REVISIONS		DWG. NO.	100-SA-MFN-XX	SHEET	REV
ZONE	REV	DESCRIPTION	DATE	APPROVED	
	A	ECN #0211	12-15-98	<i>MRJ</i>	

SPECIFICATIONS:
 IMPEDANCE: 50 OHMS NOMINAL
 FREQUENCY RANGE: DC TO 2.4GHz
 VSWR: DC TO 1GHz AT 1.10:1 MAX.
 1GHz TO 2.4GHz AT 1.25:1 MAX.
 POWER RATING: 100 WATTS MAX. @ 40°C. (BI-DIRECTIONAL)
 125 WATTS MAX. @ 25°C.
 COOLING FIN: ALUMINUM, BLACK ANODIZED
 HEAT SPREADER: ALUMINUM, SILVER PLATED
 CONNECTORS: N-TYPE MALE/FEMALE, TRI-ALLOY PLATED
 OPERATING POSITION: ANY
 NOMINAL SIZE: APPROX. 7.300" L. X 2.75" SQ.
 WEIGHT: APPROX. 45 OZ.



NOTE:
 FOR VALUES NOT LISTED, REFER TO THE NEXT HIGHER ATTENUATION LEVEL FOR SPECIFICATIONS. FOR ATTENUATION VALUES GREATER THAN THE HIGHEST LISTED ATTENUATION VALUE, REFER TO THE VALUE 1/2 THE DESIRED ATTENUATION LEVEL, THEN DOUBLE THE LISTED SPECIFICATION VALUES, UNLESS OTHERWISE SPECIFIED.

XX = DASH NUMBER (dB VALUE)

-30	30	±0.8 dB	±1.3 dB
-20	20	±0.5 dB	±1.0 dB
-10	10	±0.4 dB	±0.8 dB
-06	6	±0.4 dB	±0.6 dB
-03	3	±0.3 dB	±0.5 dB
-02	2	±0.3 dB	±0.5 dB
-01	1	±0.3 dB	±0.5 dB

- NOTES:**
- ☑ 1. PART MUST BE BURR FREE.
 - ☑ 2. CHAMFER 1st THREAD.
 - ☑ 3. 63 MICRORINCH UNLESS OTHERWISE SPECIFIED.
 - ☐ 4. PER BPS
 - ☑ 5. .005 RADIUS ON ALL INSIDE & OUTSIDE CORNERS UNLESS OTHERWISE SPECIFIED.

DIMENSIONS HEREON ARE FOR CUSTOMER CONVENIENCE AND REFERENCE ONLY. TOLERANCE TO BE APPLIED ONLY WHERE INDIVIDUALLY NOTED ON THE RESPECTIVE DIMENSION. -DO NOT SCALE DRAWING-

UNLESS OTHERWISE SPECIFIED DIMENSIONS ARE IN INCHES TOLERANCES ARE: FRACTIONS ±1/64 DECIMALS .XX=±.010 .XXX=±.005 ANGLES ±30'		MILLIMETERS X=±.4 XX=±.12		THIS DRAWING IS THE PROPERTY OF THE BIRD ELECTRONIC CORPORATION. THE DESIGNS AND SPECIFICATIONS DISCLOSED HEREON ARE PROPRIETARY AND SHALL NOT BE REPRODUCED, NOR COPIED, NOR USED AS THE BASIS FOR THE MANUFACTURE OR SALE OF APPARATUS OR DEVICES WITHOUT THEIR EXPRESS WRITTEN CONSENT.	
MATERIAL		APPROVALS		DATE	
FINISH		DRAWN D.M.RINK		11-8-02	
		CHECKED			
		APPROVED <i>MRJ</i>		6-15-03	
		AUTOCAD			
TITLE			ATTENUATOR, CONVECTION COOLED AXIAL N-TYPE, MALE/FEMALE, 100W		
SIZE C		FSCM NO. 70998		DWG. NO. 100-SA-MFN-XX	
SCALE 1:1		COMM CODE AT1		SHEET 1 OF 1	

