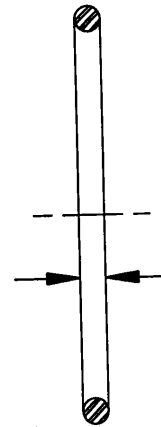
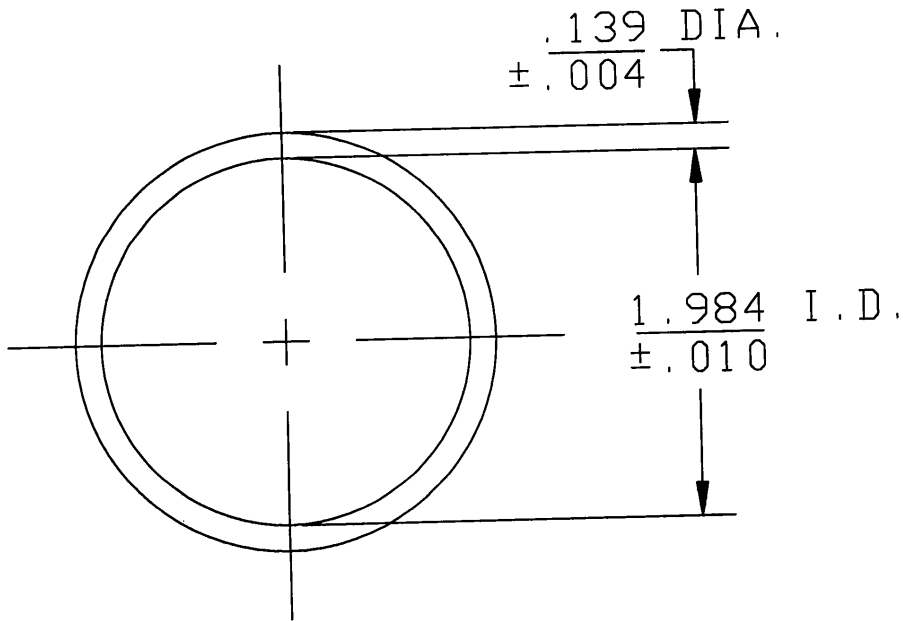


APPROVED SOURCE:

PARCO P/N 568-226
COMPOUND 2108-70


REVISIONS		DRAWING NO. 7500-065	
		1 OF 1	
LTR.	SECTION	DESCRIPTION	DATE
C		REV. & REDRAWN ECN 9346 C.B.	3-1-95



RECOMMENDED CROSS SECTION
SQUEEZE = .012 MIN.

MATERIAL: SYNTHETIC RUBBER-RESISTANT TO
HOT PETROLEUM OIL.
WORKING TEMP. RANGE: -10°C TO $+150^{\circ}\text{C}$
NOMINAL SIZE: $2" \times 2\text{-}1/4" \times 1/8"$

UNLESS OTHERWISE SPECIFIED TOLERANCES ON FRACTIONAL INCHES $\pm 1/64$ DECIMAL INCHES $\pm .005$ ANGLES $\pm 30'$ 1 PLACE MILLIMETERS $\pm .4$ 2 PLACE MILLIMETERS $\pm .12$ -DO NOT SCALE DRAWING THIS DRAWING IS THE PROPERTY OF THE BIRD ELECTRONIC CORPORATION. THE DESIGNS AND SPECIFICATIONS DISCLOSED HEREON IS PROPRIETARY AND SHALL NOT BE REPRODUCED, NOR COPIED, NOR USED AS THE BASIS FOR THE MANUFACTURE OR SALE OF APPARATUS OR DEVICES WITHOUT THEIR EXPRESS WRITTEN CONSENT.

ITEM	REQ.	DRAWING NO.	DESCRIPTION
MATL:			 BIRD Electronic Corporation Cleveland (Solon) Ohio USA
SEE ABOVE			
SCALE: FULL			DESCRIPTION: O-RING
ITEM TYPE:			SUB-DESCRIPTION:
COM. CD. SG1			SIZE: 7500-065
			DRAWING NO. 1 OF 1

DRAWN	D.L.A.	3-1-95	FINISH:
CHECKED	D.L.A.	3-1-95	
APPROVED	M.W.T.T.	4-19-95	
CODE IDENT. NO. 70998			