

8

7

6

5

4

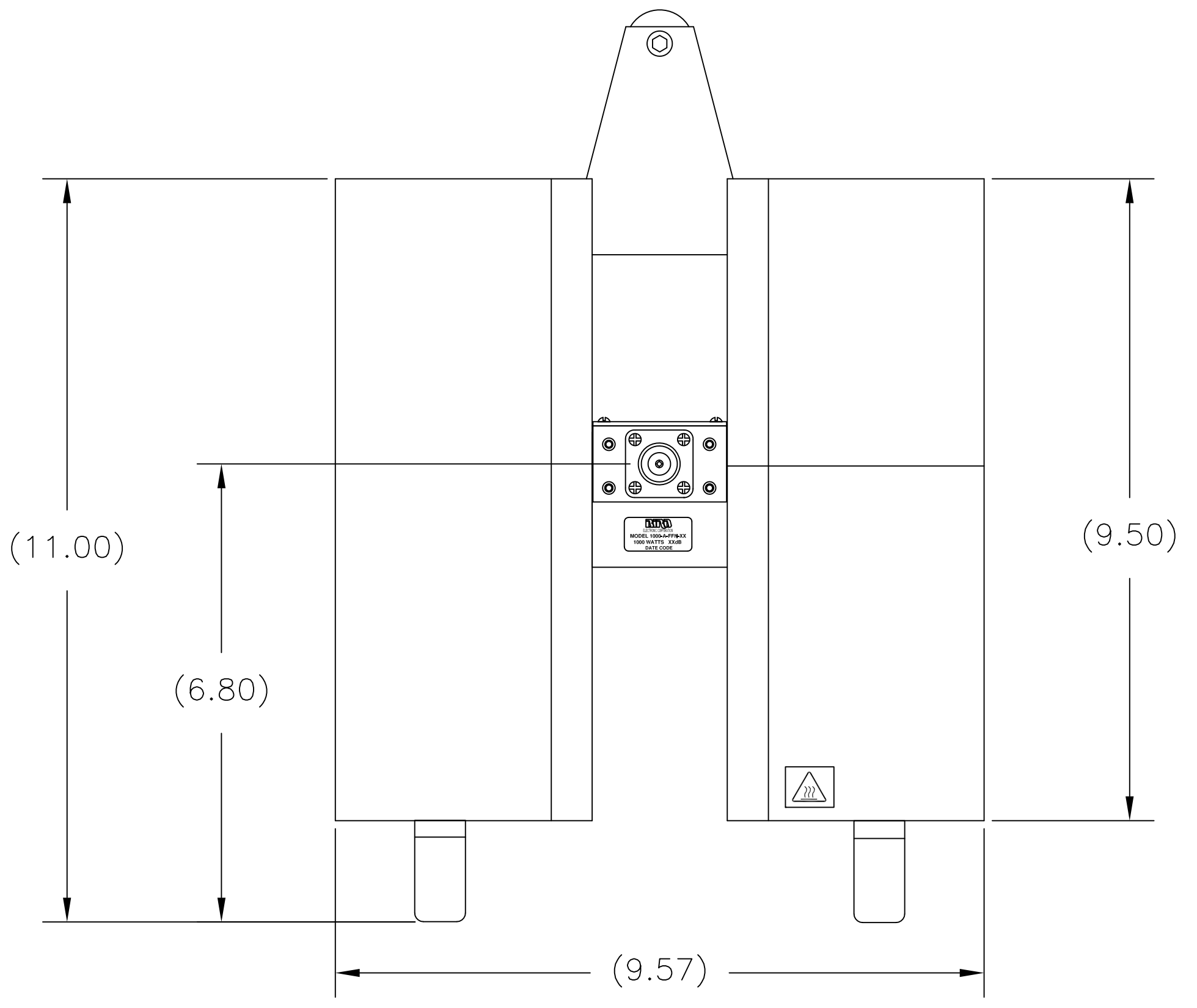
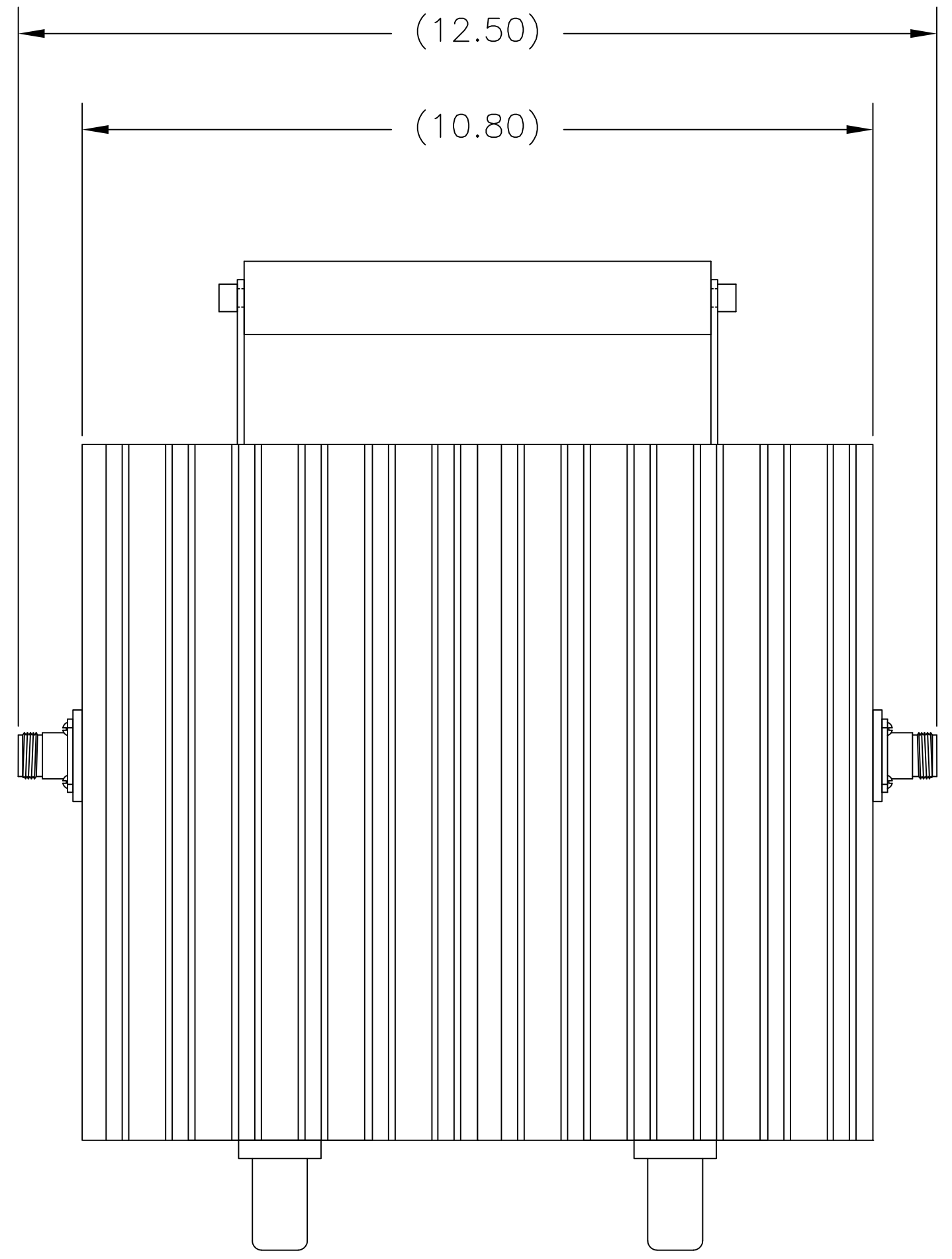
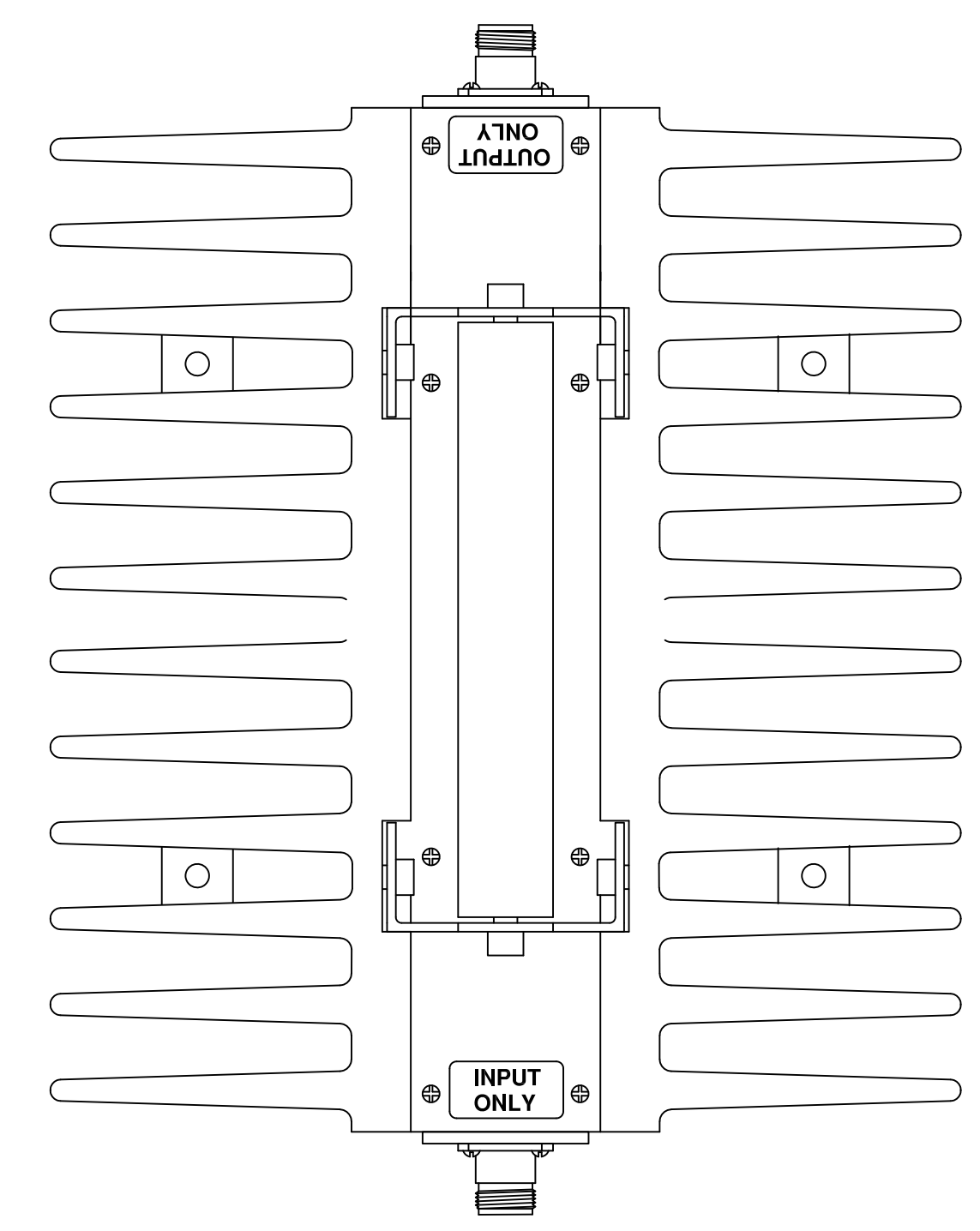
3

1

DWG. NO. 1000-A-FFN-XX SHEET 1 REV B

REVISIONS			
REV	DESCRIPTION	DATE	APPROVED
A	CONVERT TO BEC FORMAT	DMR	11-8-02 DMD
B	DEL. DASHES 03 & 06	ECO:17266/HS	01-20-21 <i>[Signature]</i>

SPECIFICATIONS:  
 POWER RATING: 1000 WATTS AVG. AT 25°C. (UNI-DIRECTIONAL)  
 DERATED LINEARLY TO 50 WATTS AT 125°C  
 IMPEDANCE: 50 OHMS NOMINAL  
 FREQUENCY RANGE: DC TO 2.4GHz  
 VSWR: DC TO 1GHz AT 1.10:1 MAX.  
 1GHz TO 2.4 GHz AT 1.25:1 MAX.  
 AMBIENT TEMPERATURE: -40°C TO +40°C  
 COOLING FIN: ALUMINUM, BLACK ANODIZED  
 COVER: ALUMINUM, BLACK ANODIZED  
 CONNECTORS: N-TYPE FEMALE  
 OPERATING POSITION: AS SHOWN (VERTICALLY)  
 NOMINAL SIZE: APPROX. 12.50" L X 12.750" H X 9.57" W  
 WEIGHT: APPROX. 26.5 LBS



DASH NO.	dB ATTEN.	ATTENUATOR DC - 1GHz	ACCURACY ±dB 1 - 2.4GHz
-30	30	±1.0	-0.5dB/+1.5dB
-20	20	±0.6	-0.5dB/+1.5dB
-10	10	±0.6	-0.5dB/+1.5dB

NOTE:  
 FOR VALUES NOT LISTED, REFER TO THE NEXT HIGHER ATTENUATION LEVEL FOR SPECIFICATIONS. FOR ATTENUATION VALUES GREATER THAN THE HIGHEST LISTED ATTENUATION VALUE, REFER TO THE VALUE 1/2 THE DESIRED ATTENUATION LEVEL, THEN DOUBLE THE LISTED SPECIFICATION VALUES, UNLESS OTHERWISE SPECIFIED.

UNLESS OTHERWISE SPECIFIED DIMENSIONS ARE IN INCHES  
 TOLERANCES ARE:  
 FRACTIONS ±1/64 DECIMALS .XX= ±0.10 .XXX= ±0.005  
 ANGLES ±30° MILLIMETERS .X= ±.4 .XX= ±.12  
 DO NOT SCALE DRAWING

APPROVALS		DATE
DRN	D.M. RINK	11-08-02
CHK	M. VERDERBER	11-08-02
APP	M. VERDERBER	11-08-02

THIS DRAWING IS THE PROPERTY OF THE BIRD TECHNOLOGIES GROUP OR BIRD ELECTRONIC CORP. ORIGIN. THE DESIGN AND SPECIFICATIONS DISCLOSED HEREON ARE PROPRIETARY AND SHALL NOT BE REPRODUCED, NOR COPIED, NOR USED AS THE BASIS FOR THE MANUFACTURE OR SALE OF APPARATUS OR DEVICES WITHOUT THEIR EXPRESS WRITTEN CONSENT.

MATERIAL	CODE	TITLE
		ATTENUATOR, CONVECTION COOLED VERTICAL, TYPE-N FEMALE, 1000W

FSCM NO.	SCALE	DWG. NO.	REV
D 70998	NONE	1000-A-FFN-XX	B

PROJ./LIB AUTOCAD SHEET 1 OF 1

8

7

6

5

4

3

2

1