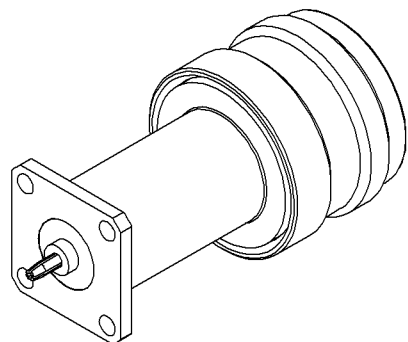


CONNECTOR, COAXIAL, RF
SQS(m) to QC(m) ADAPTER



ISOMETRIC VIEW
SCALE 1:1

ENGINEERING DATA:

ELECTRICAL:
IMPEDANCE: 50 NOMINAL

MECHANICAL:
INTERFACE: SQS(m) PER TRU SPEC
QC(m) PER TRU SPEC

MATERIAL:
O-RING: SILICONE RUBBER PER A-A-59588A, CLASS 2A, GRADE 50
INSULATOR: TEFLON PER ASTM-D1710, I1A
QC(m) CONTACT: BERYLLIUM COPPER C17300, TD04 (H) PER ASTM-B196
CONTACT FINGERS: BERYLLIUM COPPER C17300, TD04 (H) PER ASTM-B196
SQS(m) CONTACT: BRASS C36000, H02 PER ASTM-B16
OTHER METAL PARTS: BRASS C36000, H02 PER ASTM-B16

FINISH:
CONTACTS: SILVER PLATED
OTHER METAL PARTS: NICKEL PLATED

NOTES:
1. UNLESS OTHERWISE SPECIFIED; ALL
DIMENSIONS ARE REFERENCE ONLY.

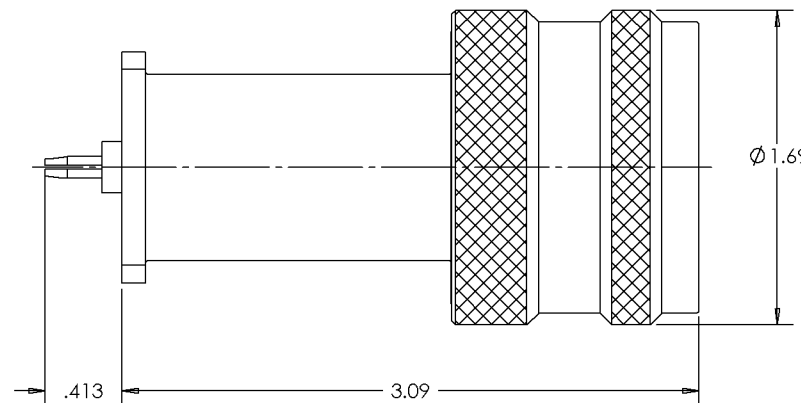
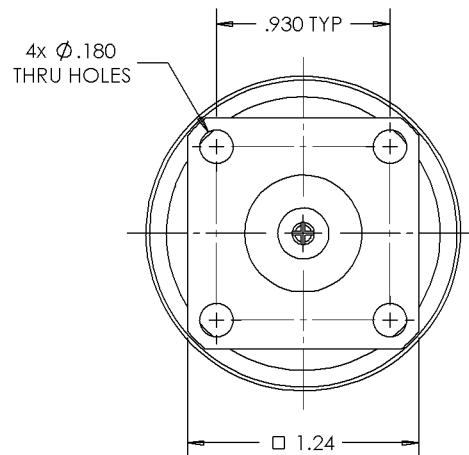
2. PRODUCT COMPLIES WITH ROHS DIRECTIVE 2002/95/EC.

RoHS
COMPLIANT

DRAWING / ITEM NUMBER	DESCRIPTION	REV
4240-370	Conn., SQS(M) to QC(M)	B



TRU-CONNECTOR CORPORATION



QC Series

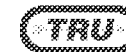
ELECTRICAL

Nominal Impedance: 50 ohms
Frequency Range: DC to 7 GHz
Voltage Rating: 2,700 volts rms
Dielectric Withstanding Voltage: 4,000 volts rms
Insulation Resistance: 10,000 megohms
VSWR: 1.30 max DC-7GHz
Intermodulation: -155 dBc

ENVIRONMENTAL

Temperature Range: -85°F to +329°F
(-65°C to +165°C)

Approved Source



TRU Corporation

4240-370

TRU-15002