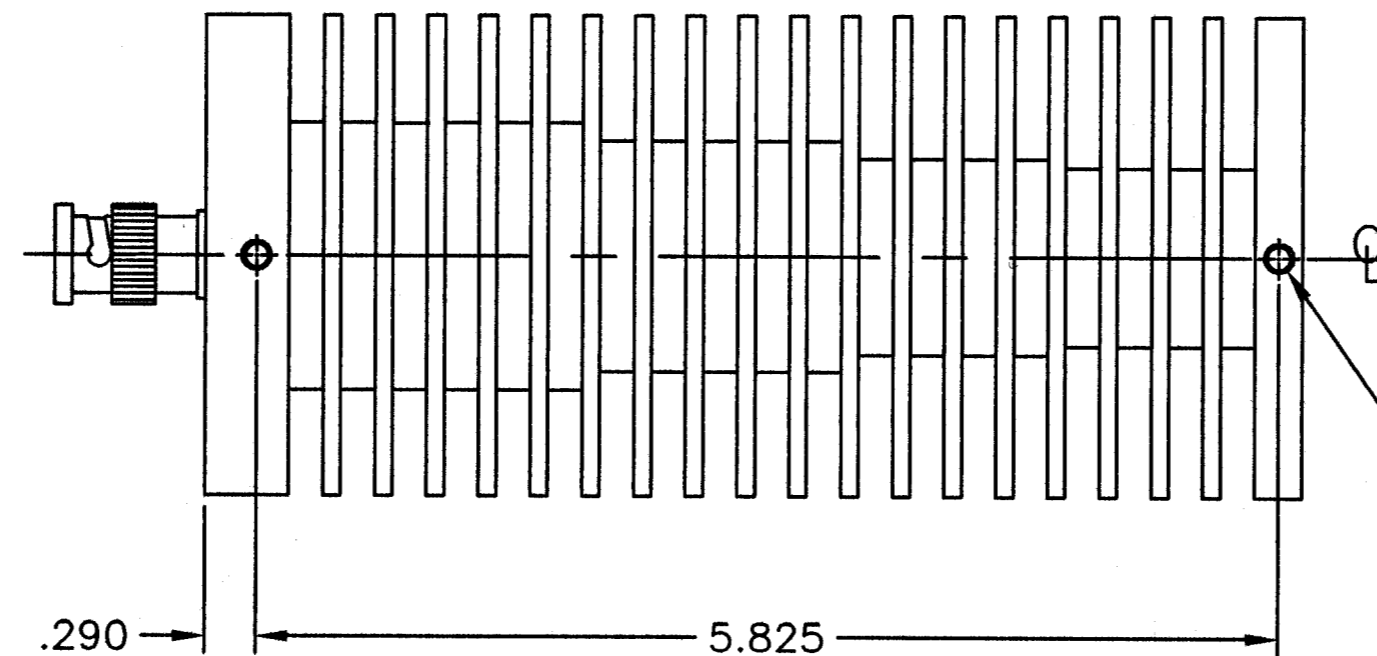
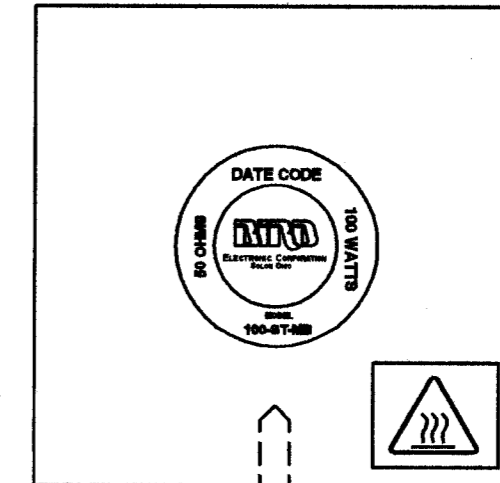
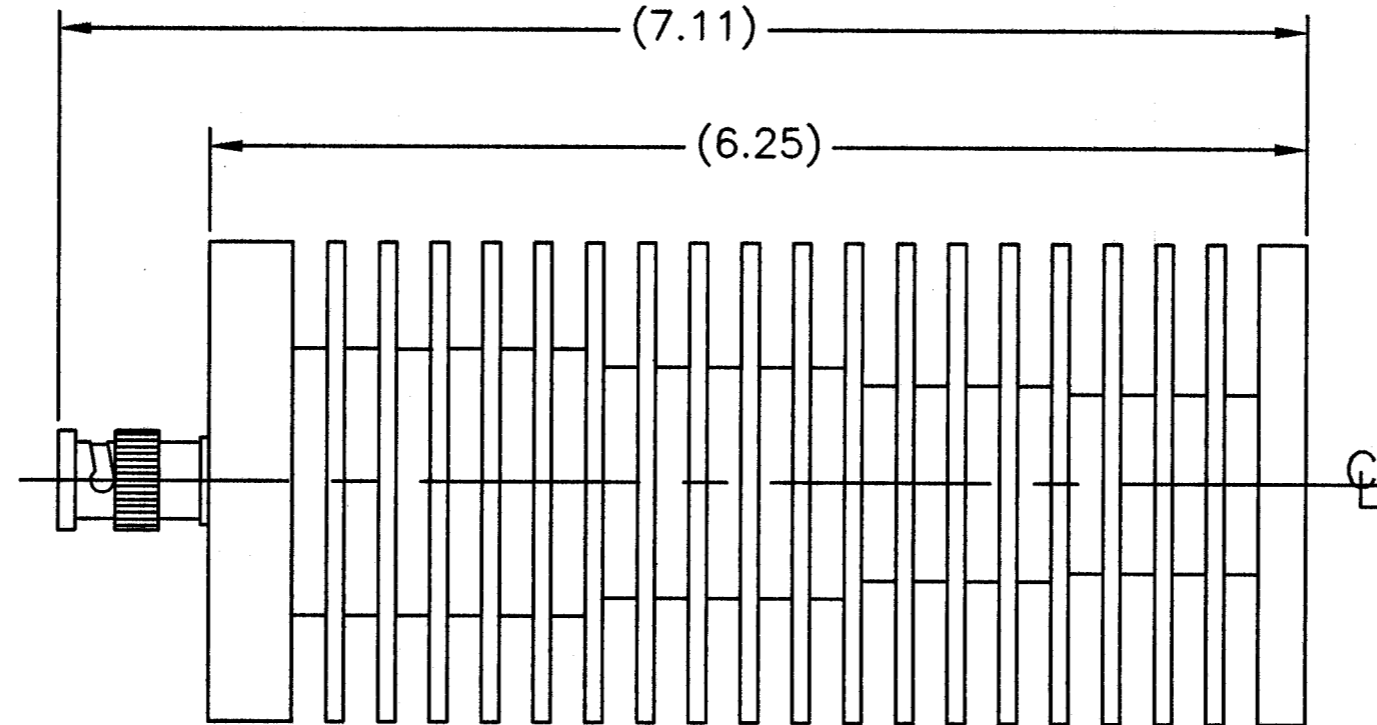
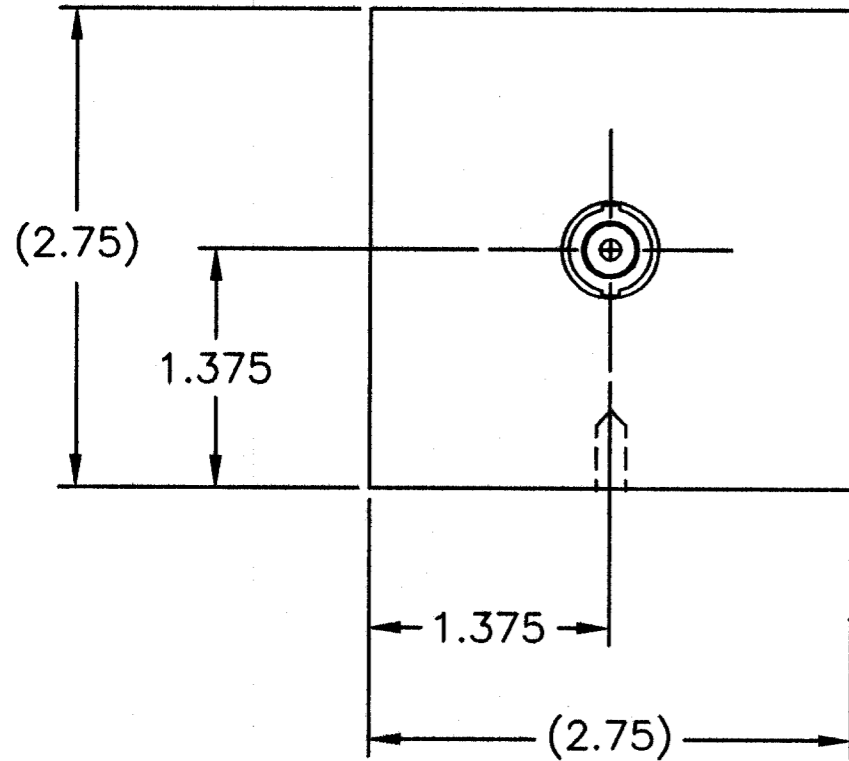


**SPECIFICATIONS:**

IMPEDANCE: 50 OHMS NOMINAL  
 FREQUENCY RANGE: DC TO 4 GHz  
 VSWR: DC TO 1GHz AT 1.10:1 MAX.  
 1GHz TO 4 GHz AT 1.25:1 MAX.  
 POWER RATING: 100 WATTS MAX. @ 40°C.  
 125 WATTS MAX. @ 25°C.  
 COOLING FIN: ALUMINUM, BLACK ANODIZED  
 HEAT SPREADER: ALUMINUM, TRI-ALLOY PLATED  
 CONNECTOR: BNC MALE, TRI-ALLOY PLATED  
 OPERATING POSITION: ANY  
 NOMINAL SIZE: APPROX. 7.11" L. X 2.75" SQ.  
 WEIGHT: 42 OZ. MAX.

REVISIONS		DWG. NO.	100-ST-MB	SHEET	REV
ZONE	REV	DESCRIPTION	DATE	1	A
	A	ECN #0210	11-5-98		MRJ



2x 6-32UNC-2B X .375 DEEP

UNLESS OTHERWISE SPECIFIED DIMENSIONS ARE IN INCHES TOLERANCES ARE:		MILLIMETERS X = ±.4 XX = ±.12		THIS DRAWING IS THE PROPERTY OF THE BIRD ELECTRONIC CORPORATION. THE DESIGNS AND SPECIFICATIONS DISCLOSED HEREON ARE PROPRIETARY AND SHALL NOT BE REPRODUCED, NOR COPIED, NOR USED AS THE BASIS FOR THE MANUFACTURE OR SALE OF APPARATUS OR DEVICES WITHOUT THEIR EXPRESS WRITTEN CONSENT.			
FRACTIONS ± 1/64	DECIMALS .XX = ±.010 .XXX = ±.000	ANGLES ± 30'	DO NOT SCALE DRAWING	APPROVALS	DATE	TITLE	REV
				DRAWN D.M.RINK	3-6-03	TERMINATION, AXIAL, CONVECTION COOLED, BNC MALE, 100W	A
				CHECKED		SIZE FSCM NO. DWG. NO.	
				APPROVED MRJ	6-15-03	C 70998 100-ST-MB	
				FINISH	AUTOCAD	SCALE 1:1 COMM CODE LD1 SHEET 1 OF 1	

