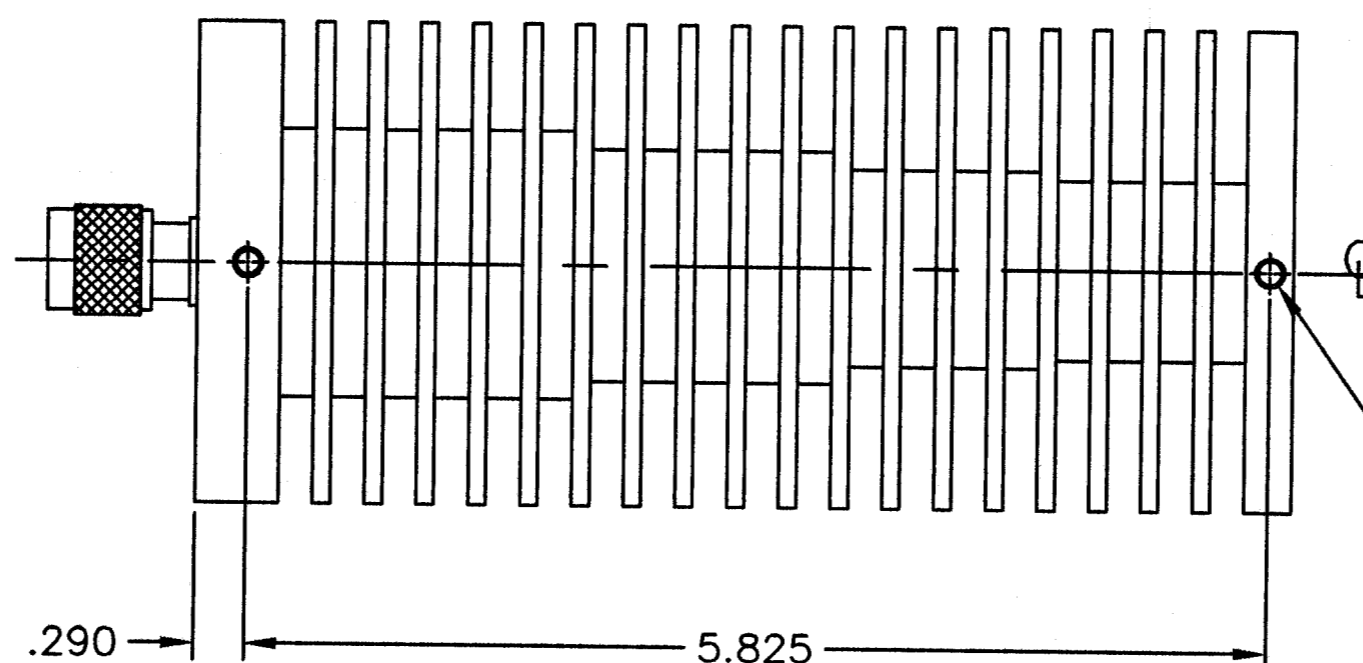
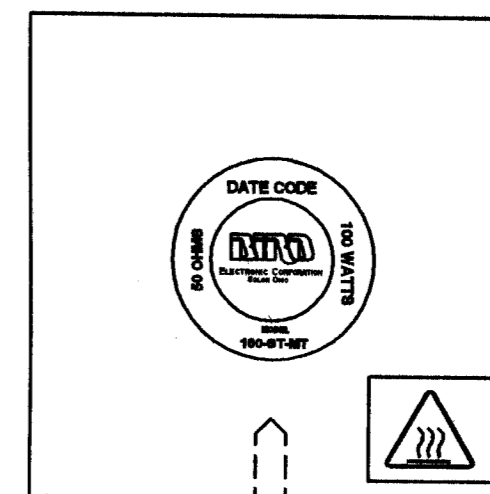
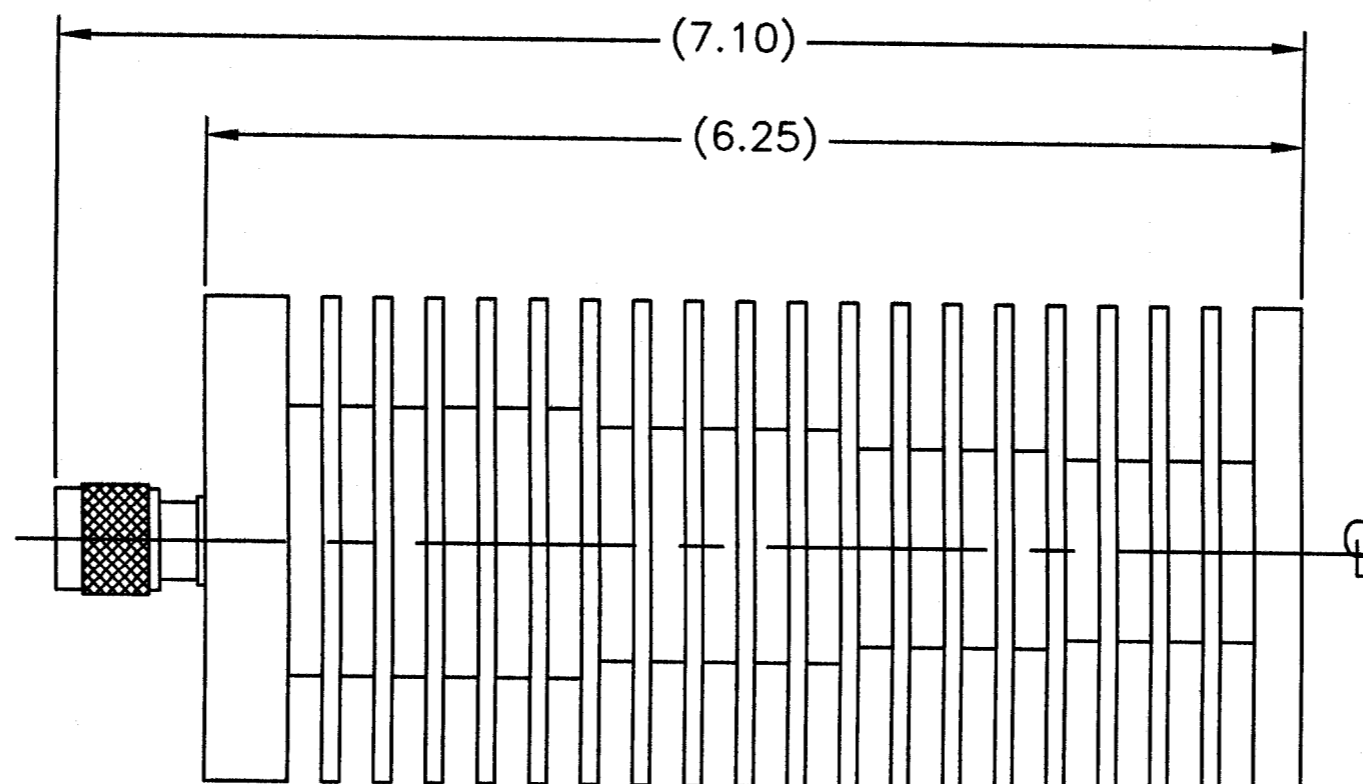
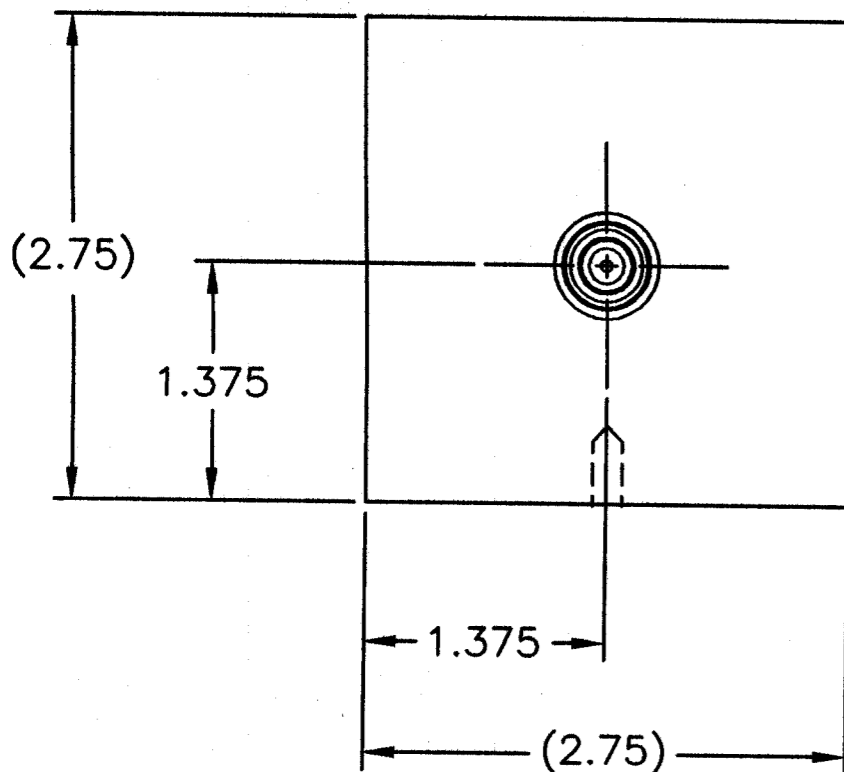



SPECIFICATIONS:

IMPEDANCE: 50 OHMS NOMINAL
 FREQUENCY RANGE: DC TO 4 GHz
 VSWR: DC TO 1GHz AT 1.10:1 MAX.
 1GHz TO 4 GHz AT 1.25:1 MAX.
 POWER RATING: 100 WATTS MAX. @ 40°C.
 125 WATTS MAX. @ 25°C.
 COOLING FIN: ALUMINUM, BLACK ANODIZED
 HEAT SPREADER: ALUMINUM, TRI-ALLOY PLATED
 CONNECTOR: TNC MALE, TRI-ALLOY PLATED
 OPERATING POSITION: ANY
 NOMINAL SIZE: APPROX. 7.10" L. X 2.75" SQ.
 WEIGHT: 42 OZ. MAX.

REVISIONS		DWG. NO.	100-ST-MT	SHEET	REV
ZONE	REV	DESCRIPTION	DATE	APPROVED	
	A	ECN #0210	11-5-98	<i>MEW</i>	



2x 6-32UNC-2B X .375 DEEP

UNLESS OTHERWISE SPECIFIED DIMENSIONS ARE IN INCHES TOLERANCES ARE:		MILLIMETERS ±.4 ±.12		THIS DRAWING IS THE PROPERTY OF THE BIRD ELECTRONIC CORPORATION. THE DESIGNS AND SPECIFICATIONS DISCLOSED HEREON ARE PROPRIETARY AND SHALL NOT BE REPRODUCED, NOR COPIED, NOR USED AS THE BASIS FOR THE MANUFACTURE OR SALE OF APPARATUS OR DEVICES WITHOUT THEIR EXPRESS WRITTEN CONSENT.			
FRACTIONS	DECIMALS	ANGLES	DO NOT SCALE DRAWING			APPROVALS DRAWN: D.M.RINK CHECKED: APPROVED: <i>MEW</i>	
±1/64	.005 ±.010 .005 ±.005	±30'				DATE: 3-6-03 TITLE: TERMINATION, AXIAL, CONVECTION COOLED, TNC MALE, 100W SIZE: C FSCM NO.: 70998 DWG. NO.: 100-ST-MT SCALE: 1:1 COAM CODE: LD1 SHEET: 1 OF 1	