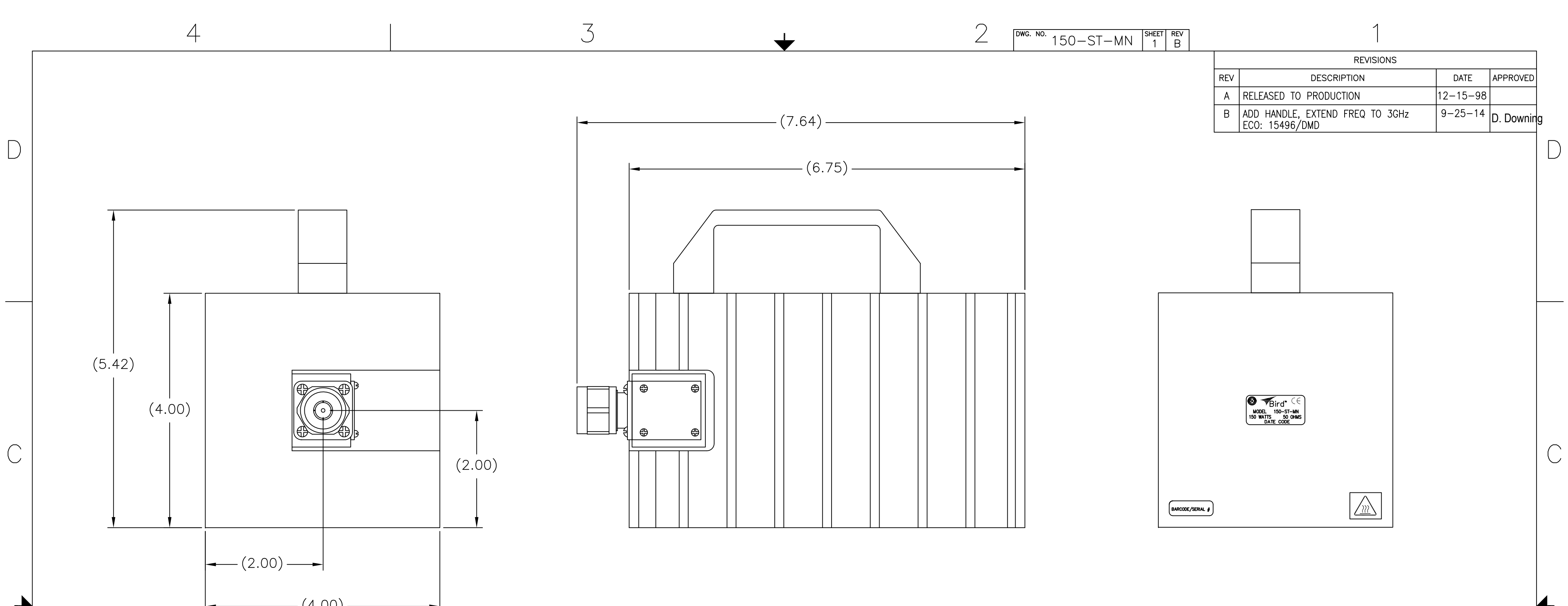
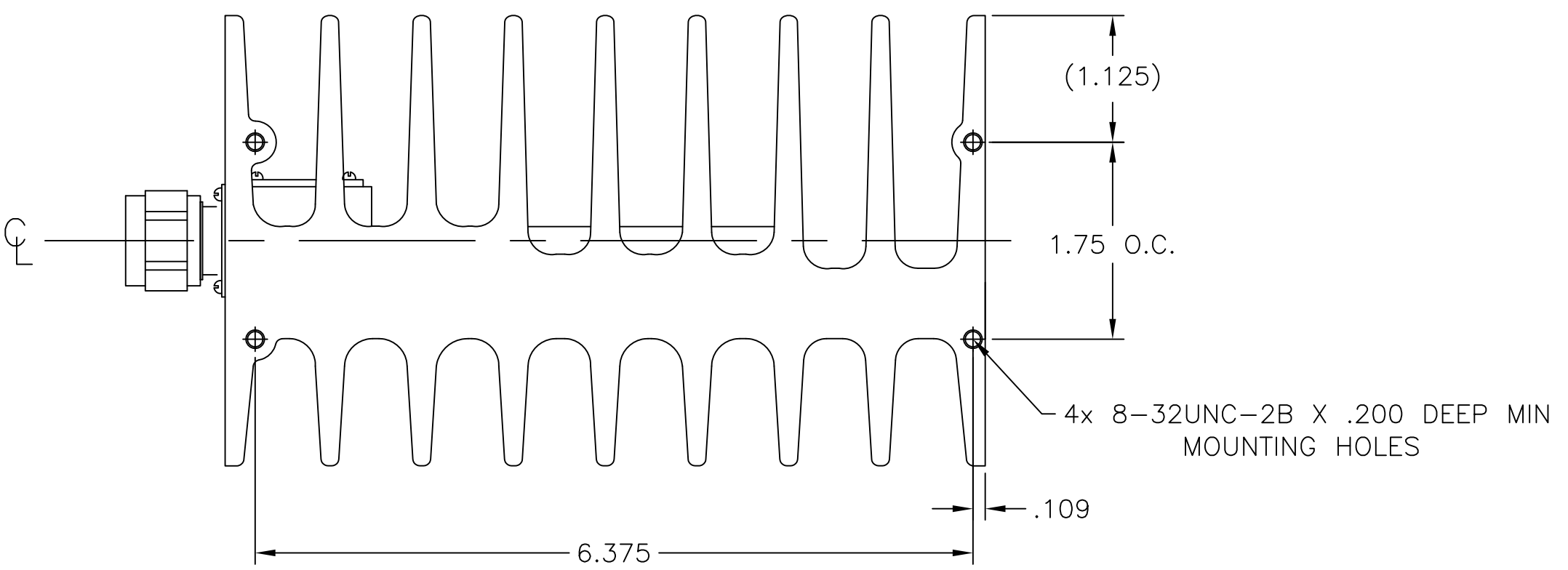


REVISIONS			
REV	DESCRIPTION	DATE	APPROVED
A	RELEASED TO PRODUCTION	12-15-98	
B	ADD HANDLE, EXTEND FREQ TO 3GHz ECO: 15496/DMD	9-25-14	D. Downing



**SPECIFICATIONS:**  
 IMPEDANCE: 50 OHMS NOMINAL  
 POWER RATING: 150 CW AT 40°C  
 180 CW AT 25°C  
 FREQUENCY RANGE & VSWR:  
 DC TO 1 GHz AT 1.10:1 MAX.  
 1 GHz TO 3 GHz AT 1.25:1 MAX.  
 CONNECTOR: N-TYPE MALE  
 OPERATING POSITION: ANY  
 AMBIENT TEMPERATURE: -45°C TO +40°C  
 OPERATING TEMPERATURE: -45°C TO +120°C  
 HUMIDITY: 95% NON-CONDENSED  
 NOMINAL SIZE: APPROX 7.64" L X 4.00" W X 5.42" H  
 WEIGHT: APPROX. 5.0 LBS

**MATERIALS: ALL RoHS COMPLIANT**  
 CONNECTOR BODY/COUPLING NUT: BRASS  
 HOUSING/COVER: ALUMINUM  
 COOLING FIN: ALUMINUM  
 CONTACT: BRASS OR BERYLLIUM COPPER  
 INSULATOR: TEFLON (PTFE)  
**FINISH: ALL RoHS COMPLIANT**  
 CONNECTOR BODY/COUPLING NUT: TRI-METAL  
 HOUSING/COVER: TRI-METAL  
 COOLING FIN: BLACK ANODIZE  
 CONTACT: SILVER OR GOLD PLATED



UNLESS OTHERWISE SPECIFIED DIMENSIONS ARE IN INCHES TOLERANCES ARE: FRACTIONS ±1/64 DECIMALS .xx = ±.010 .xxx = ±.005 ANGLES ±30' MILLIMETERS .x = ±.4 .xx = ±.12 DO NOT SCALE DRAWING		APPROVALS DRN DMD CHK APP	DATE 12-11-97	
THIS DRAWING IS THE PROPERTY OF THE BIRD TECHNOLOGIES GROUP OR BIRD ELECTRONIC CORPORATION. THE DESIGNS AND SPECIFICATIONS DISCLOSED HEREON ARE PROPRIETARY AND SHALL NOT BE REPRODUCED, NOR COPIED, NOR USED AS THE BASIS FOR THE MANUFACTURE OR SALE OF APPARATUS OR DEVICES WITHOUT THEIR EXPRESS WRITTEN CONSENT.		MATERIAL [CODE]	TITLE TERMINATION, CONVECTION COOLED, N-TYPE MALE, DC-3GHz, 150W	
C 70998		SCALE 1:1	DWG. NO. 150-ST-MN	REV B
PROJ./LIB AUTOCAD		COMM CODE LD1	SHEET 1 OF 1	