

4

3

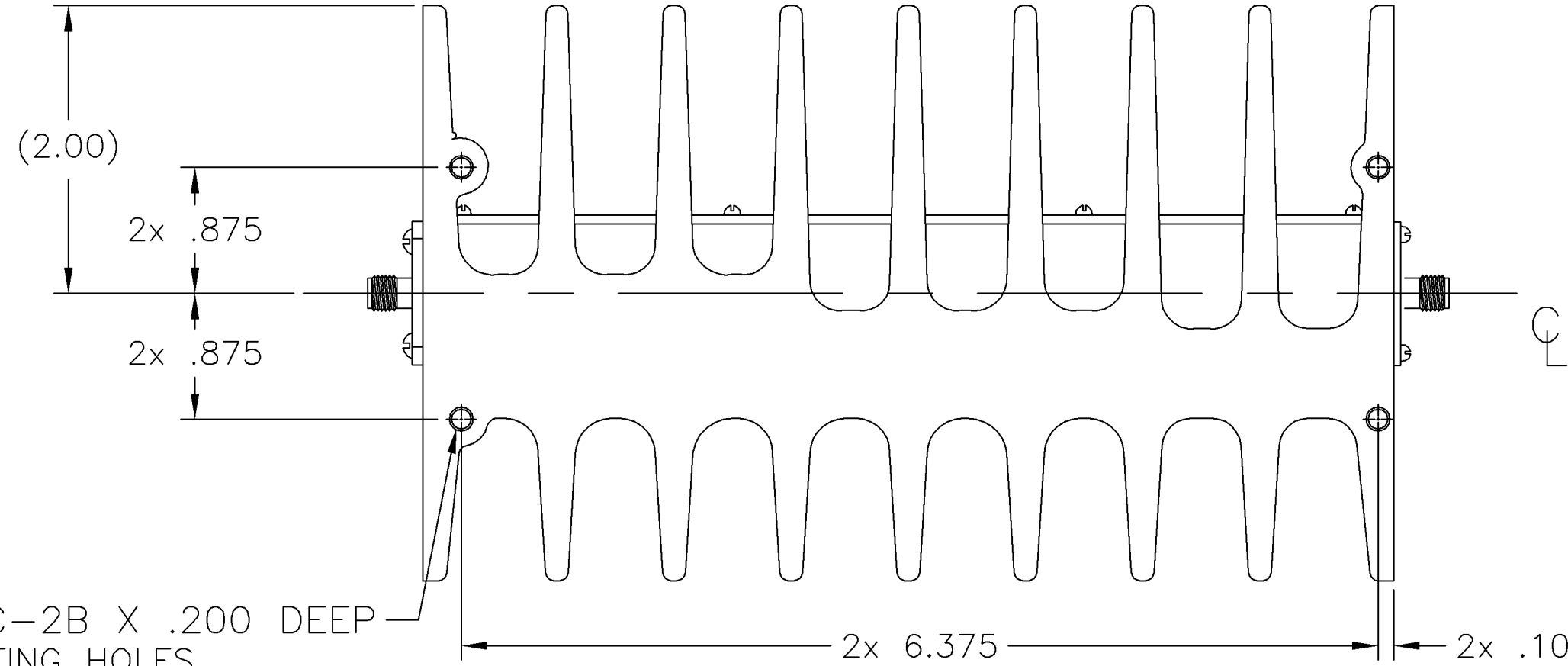
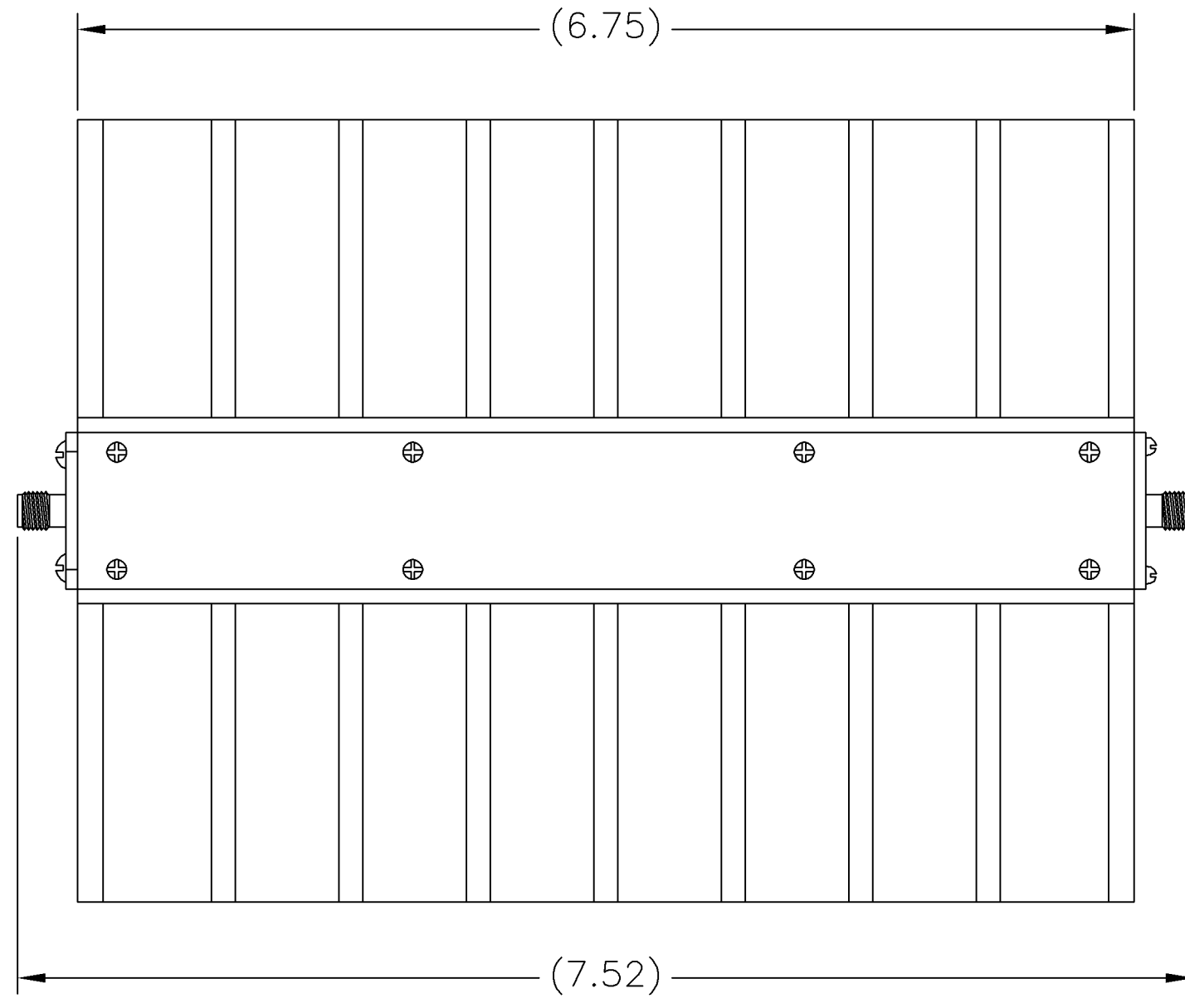
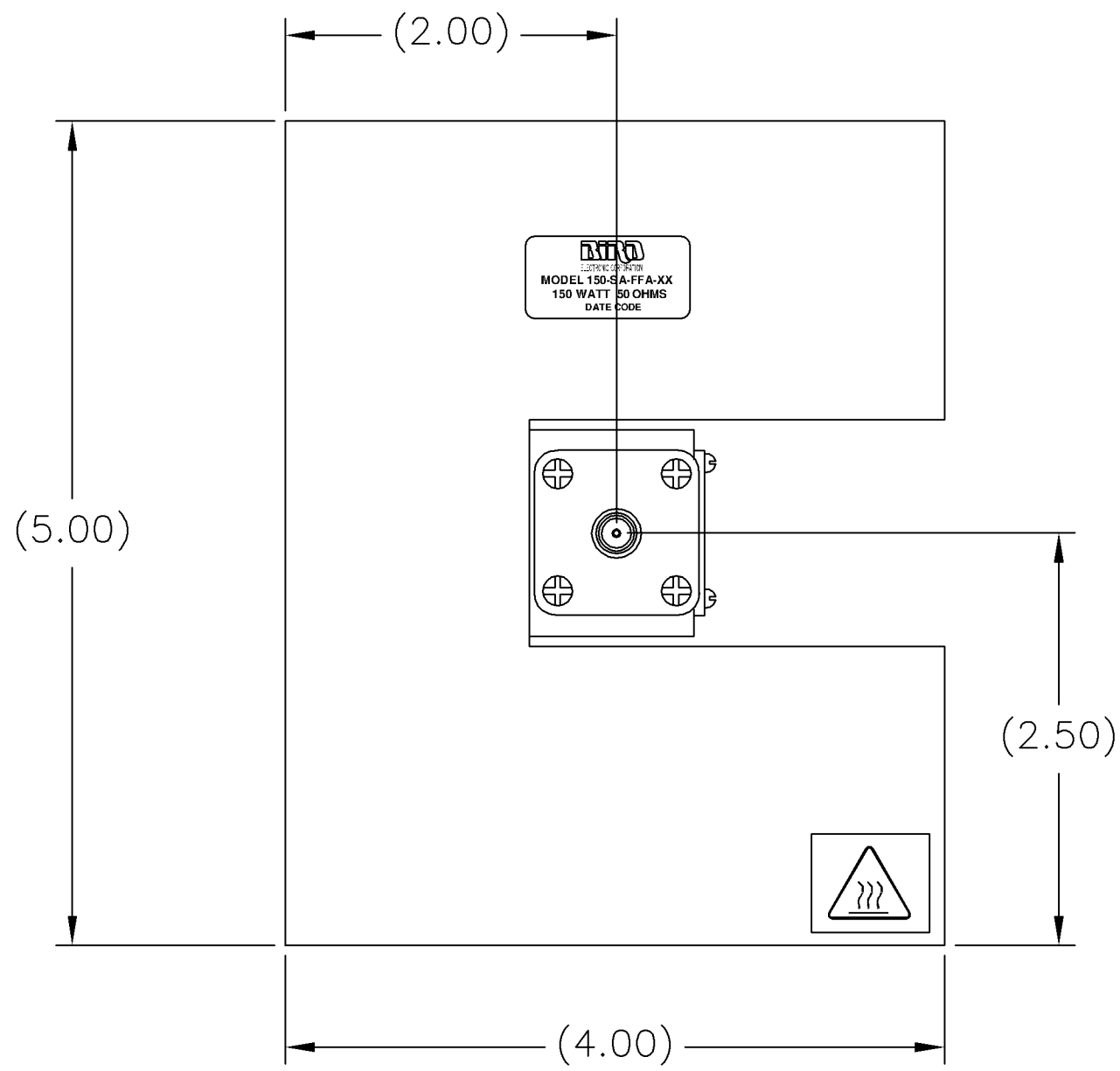
2

1

NOTES:

- ☒ 1. PART MUST BE BURR FREE.
- ☒ 2. CHAMFER 1st THREAD.
- ☒ 3. 63 MICRINCH UNLESS OTHERWISE SPECIFIED.
- ☐ 4. PER BPS \_\_\_\_\_.
- ☒ 5. .005 RADIUS ON ALL INSIDE & OUTSIDE CORNERS UNLESS OTHERWISE SPECIFIED.

REVISIONS		DWG. NO.	150-SA-FFA-XX	SHEET	REV
ZONE	REV	DESCRIPTION	DATE	APPROVED	
	A	NEW DRAWING RELEASE/DMD	dmr 2-8-06		DMD



IMPEDANCE: 50 OHMS NOMINAL  
 FREQUENCY RANGE: DC TO 2.4GHz  
 VSWR: DC TO 1GHz AT 1.10:1 MAX.  
 1GHz TO 2.4GHz AT 1.25:1 MAX.  
 POWER RATING: 150 WATTS MAX. @ 40°C. (BI-DIRECTIONAL)  
 180 WATTS MAX. @ 25°C.  
 COOLING FIN: ALUMINUM, BLACK ANODIZED  
 HEAT SPREADER: ALUMINUM, TRI-ALLOY PLATED  
 CONNECTORS: SMA FEMALE, GOLD PLATED  
 OPERATING POSITION: VERTICALLY  
 NOMINAL SIZE: APPROX. 7.52" L. X 5.00" H X 4.00" W  
 WEIGHT: APPROX. 5.5 LBS.

XX = DASH NUMBER

4x 8-32UNC-2B X .200 DEEP MOUNTING HOLES

NOTE:  
 FOR VALUES NOT LISTED, REFER TO THE NEXT HIGHER ATTENUATION LEVEL FOR SPECIFICATIONS. FOR ATTENUATION VALUES GREATER THAN THE HIGHEST LISTED ATTENUATION VALUE, REFER TO THE VALUE 1/2 THE DESIRED ATTENUATION LEVEL, THEN DOUBLE THE LISTED SPECIFICATION VALUES, UNLESS OTHERWISE SPECIFIED.

-30	30	±0.8 dB	±1.3 dB
-20	20	±0.5 dB	±1.0 dB
-10	10	±0.4 dB	±0.8 dB
-06	6	±0.4 dB	±0.6 dB
-03	3	±0.3 dB	±0.5 dB
-02	2	±0.3 dB	±0.5 dB
-01	1	±0.3 dB	±0.5 dB
DASH NO.	dB ATTEN.	DC - 1GHz ATTENUATOR	1 - 2.4GHz ACCURACY ±dB

DIMENSIONS HEREON ARE FOR CUSTOMER CONVENIENCE AND REFERENCE ONLY. TOLERANCE TO BE APPLIED ONLY WHERE INDIVIDUALLY STATED ON THE RESPECTIVE DIMENSION. -DO NOT SCALE DRAWING-

UNLESS OTHERWISE SPECIFIED DIMENSIONS ARE IN INCHES TOLERANCES ARE:		MILLIMETERS X = ±.4 .XX = ±.12		THIS DRAWING IS THE PROPERTY OF THE BIRD ELECTRONIC CORPORATION. THE DESIGNS AND SPECIFICATIONS DISCLOSED HEREON ARE PROPRIETARY AND SHALL NOT BE REPRODUCED, NOR COPIED, NOR USED AS THE BASIS FOR THE MANUFACTURE OR SALE OF APPARATUS OR DEVICES WITHOUT THEIR EXPRESS WRITTEN CONSENT.	
FRACTIONS ±1/64		DECIMALS .XX = ±.010 .XXX = ±.005		ANGLES ±30'	
DO NOT SCALE DRAWING				APPROVALS	
MATERIAL		DRAWN D.M.RINK		DATE 2-8-06	
FINISH		CHECKED D. DOWNING		DATE 2-8-06	
		APPROVED D. DOWNING		DATE 2-8-06	
		AUTOCAD			
		TITLE ATTENUATOR, SMA FEMALE/FEMALE, 150W			
		SIZE C		FSCM NO. 70998	
		DWG. NO. 150-SA-FFA-XX		REV A	
		SCALE 1:1		COMM CODE AT1	
		SHEET 1 OF 1			

4

3

2

1