

4

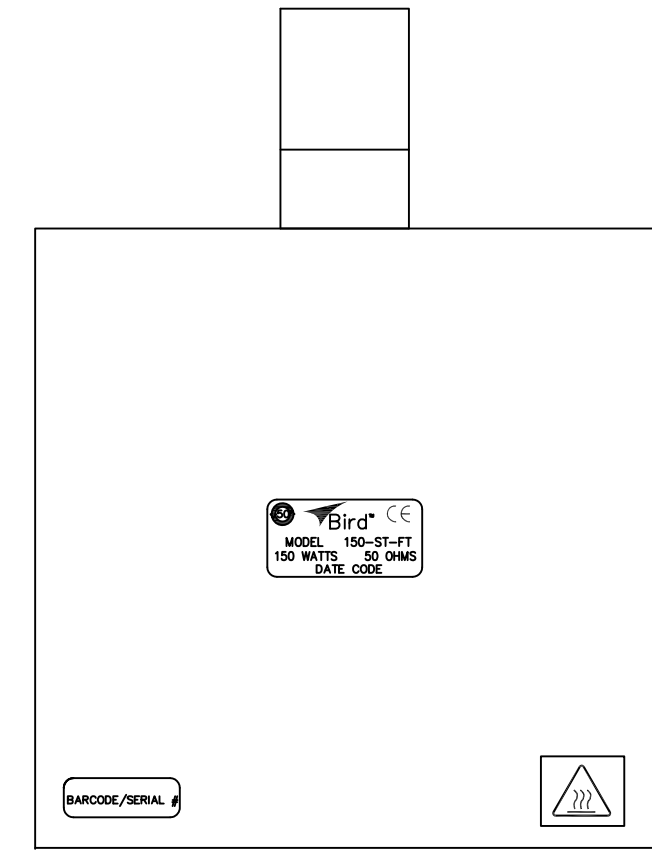
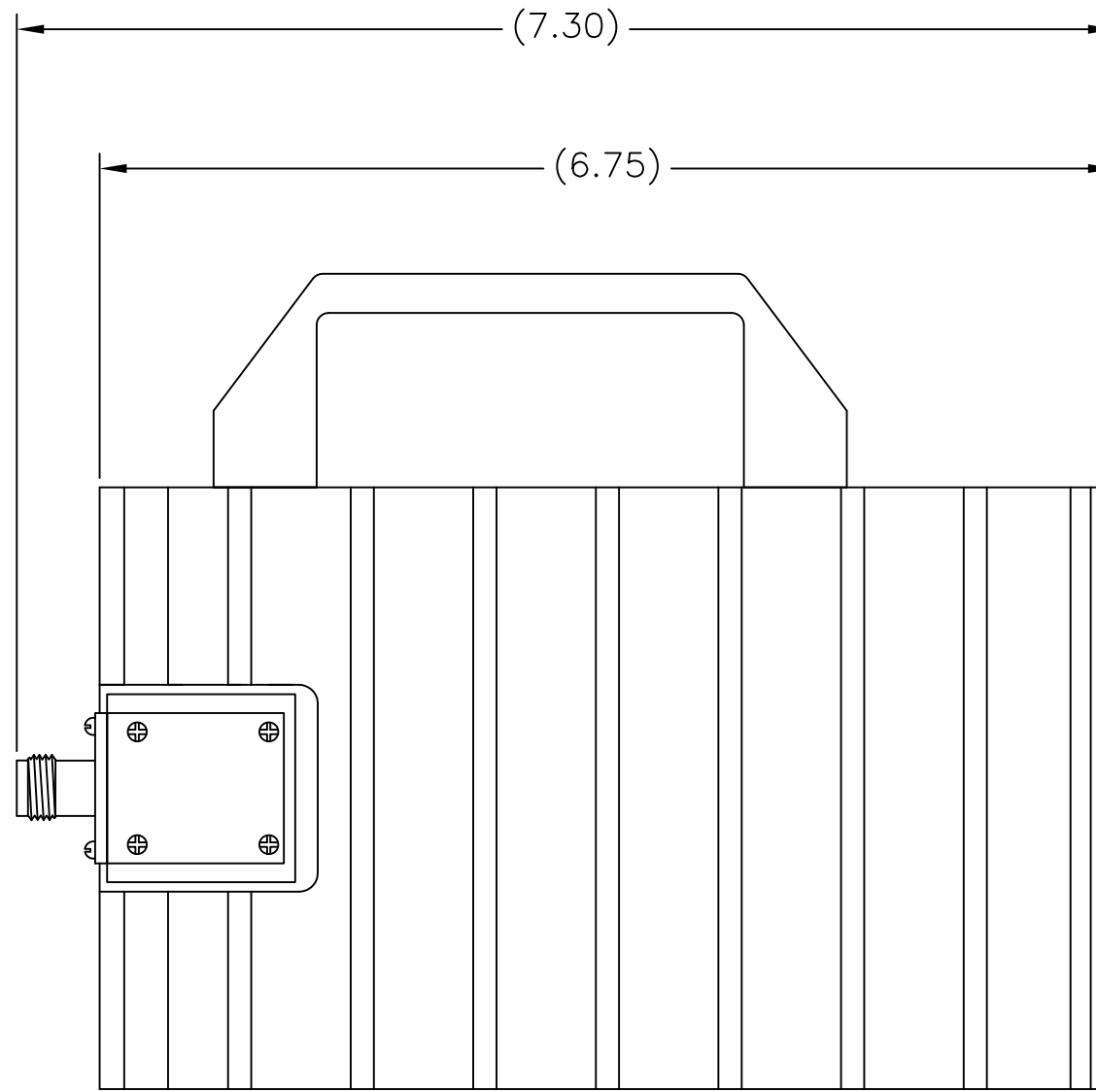
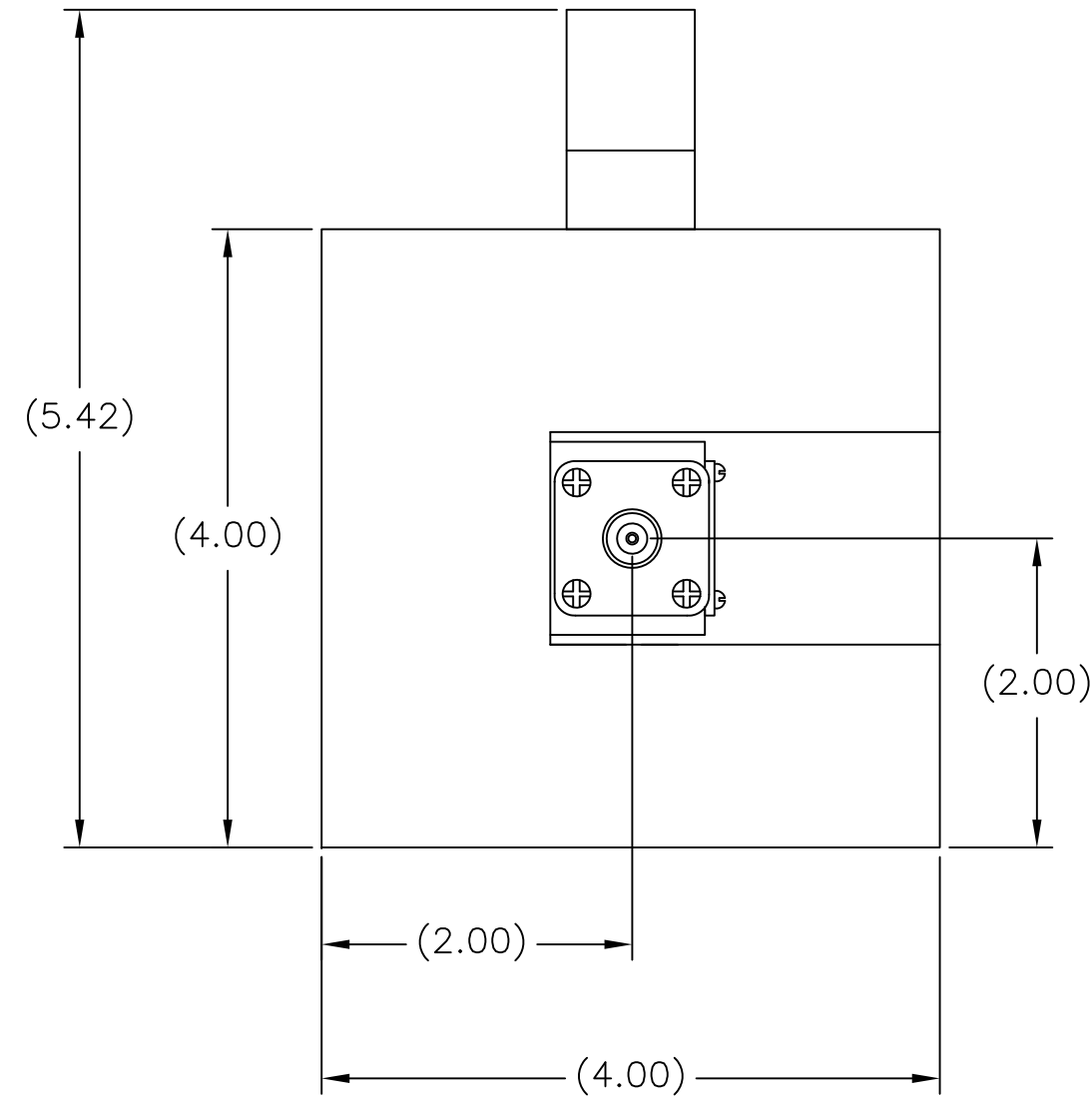
3

2

DWG. NO. 150-ST-FT SHEET 1 REV B

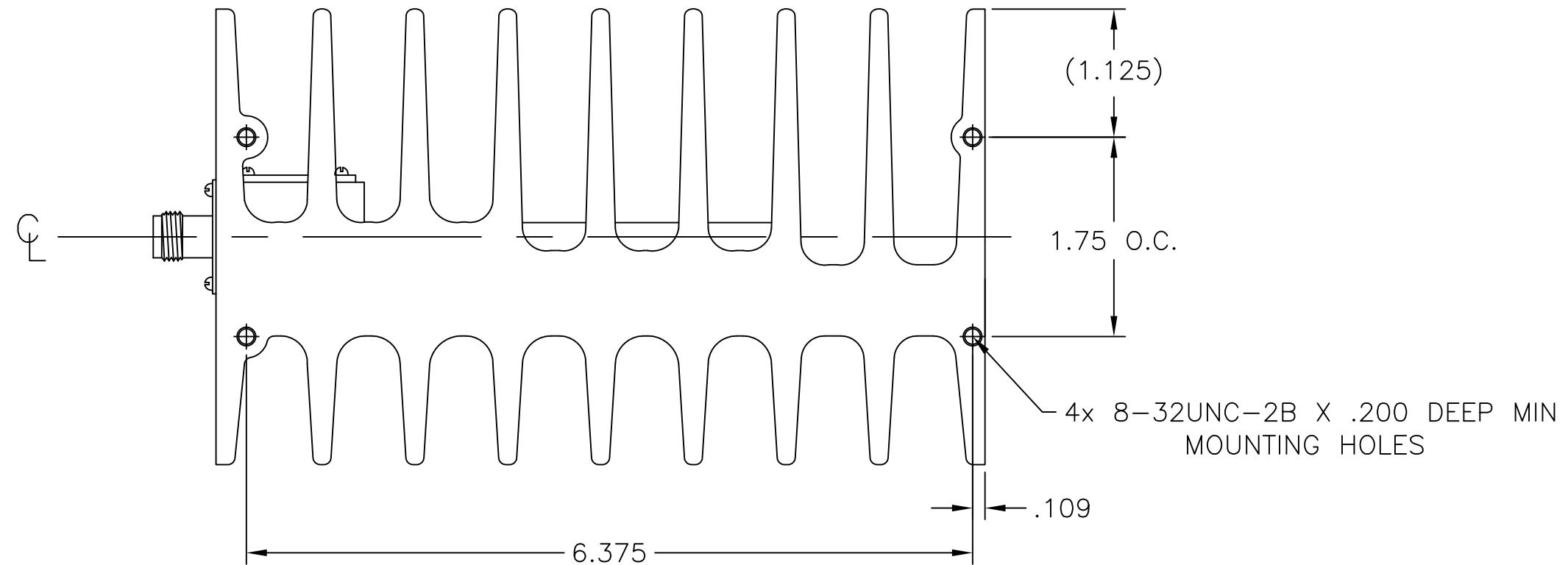
1

REVISIONS			
REV	DESCRIPTION	DATE	APPROVED
A	CONVERT TO BTG FORMAT	2-17-11	
B	ADD HANDLE, EXTEND FREQ TO 3GHz ECO: 15496/DMD	9-26-14	D. Downing



SPECIFICATIONS:  
 IMPEDANCE: 50 OHMS NOMINAL  
 POWER RATING: 150 CW AT 40°C  
 180 CW AT 25°C  
 FREQUENCY RANGE & VSWR:  
 DC TO 1 GHz AT 1.10:1 MAX.  
 1 GHz TO 3 GHz AT 1.25:1 MAX.  
 CONNECTOR: TNC FEMALE  
 OPERATING POSITION: ANY  
 AMBIENT TEMPERATURE: -45°C TO +40°C  
 OPERATING TEMPERATURE: -45°C TO +120°C  
 HUMIDITY: 95% NON-CONDENSED  
 NOMINAL SIZE: APPROX 7.30" L X 4.00" W X 5.42" H  
 WEIGHT: APPROX. 5.0 LBS

MATERIALS: ALL RoHS COMPLIANT  
 CONNECTOR BODY: BRASS  
 HOUSING/COVER: ALUMINUM  
 COOLING FIN: ALUMINUM  
 CONTACT: BRASS OR BERYLLIUM COPPER  
 INSULATOR: TEFLON (PTFE)  
 FINISH: ALL RoHS COMPLIANT  
 BODY/HOUSING/COVER: TRI-METAL  
 COOLING FIN: BLACK ANODIZE  
 CONTACT: SILVER OR GOLD PLATED



UNLESS OTHERWISE SPECIFIED DIMENSIONS ARE IN INCHES  
 TOLERANCES ARE:  
 FRACTIONS ±1/64 DECIMALS .xx = ±.010  
 .xxx = ±.005  
 ANGLES ±30' MILLIMETERS .x = ±.4  
 .xx = ±.12  
 DO NOT SCALE DRAWING

APPROVALS		DATE
DRN	DMD	2-17-11
CHK		
APP		
MATERIAL	CODE	
FINISH	CODE	

THIS DRAWING IS THE PROPERTY OF THE BIRD TECHNOLOGIES GROUP OR BIRD ELECTRONIC CORPORATION. THE DESIGNS AND SPECIFICATIONS DISCLOSED HEREON ARE PROPRIETARY AND SHALL NOT BE REPRODUCED, NOR COPIED, NOR USED AS THE BASIS FOR THE MANUFACTURE OR SALE OF APPARATUS OR DEVICES WITHOUT THEIR EXPRESS WRITTEN CONSENT.



TITLE				
TERMINATION, CONVECTION COOLED, TNC FEMALE, DC-3GHz, 150W				
C	FSCM NO. 70998	SCALE 1:1	DWG. NO. 150-ST-FT	REV B
PROJ./LIB	AUTOCAD	COMM CODE LD1	SHEET	1 OF 1

4

3

2

1