

4

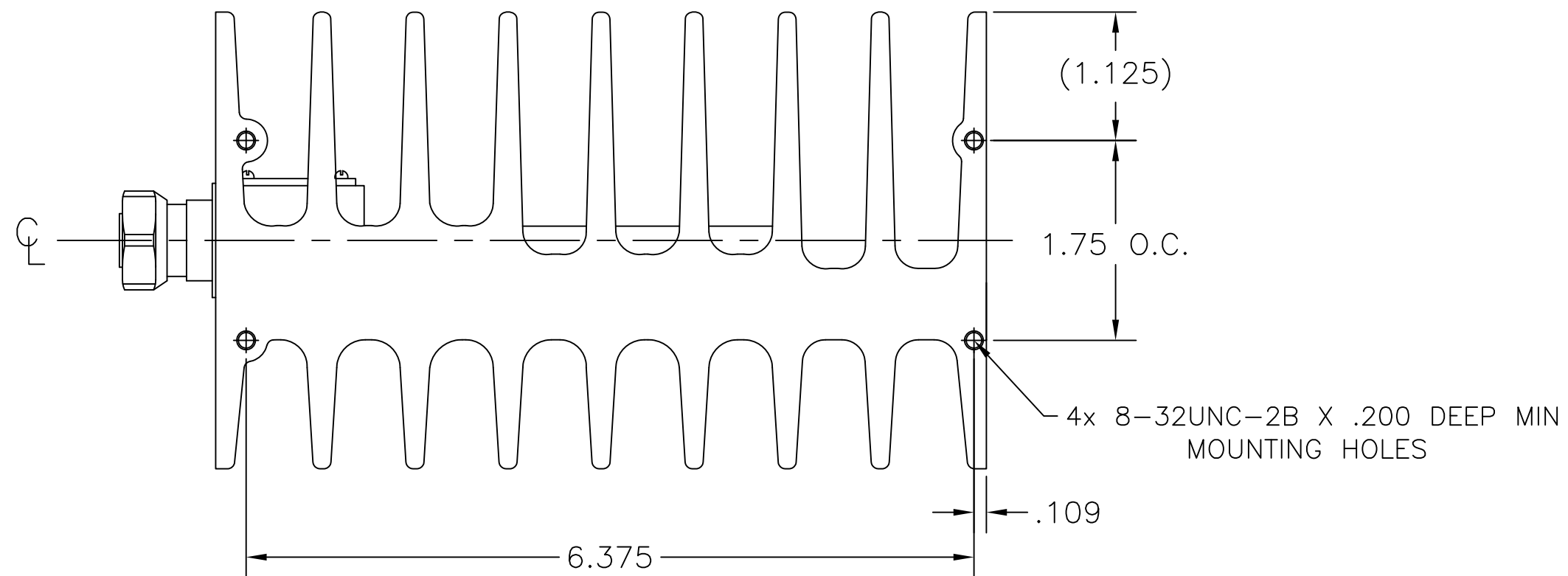
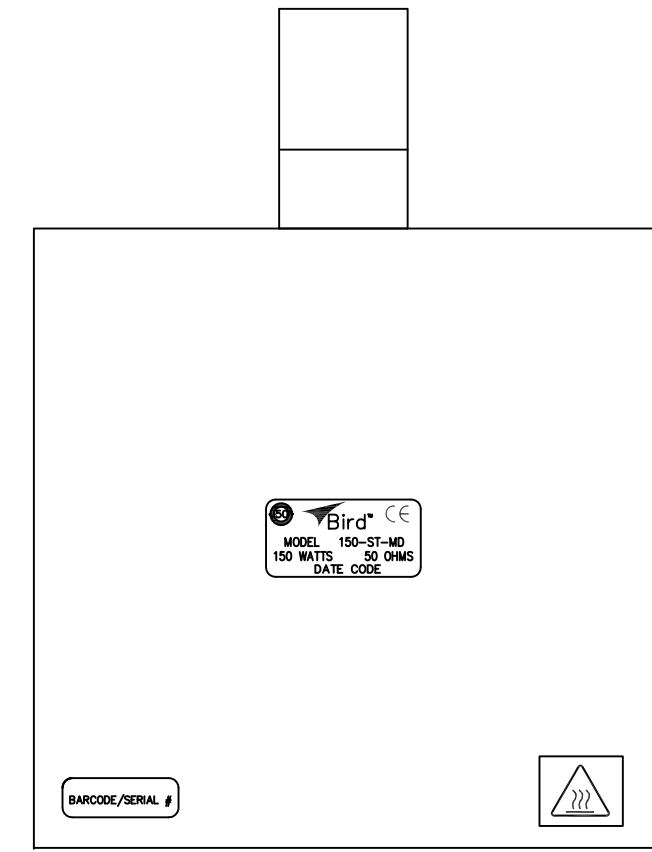
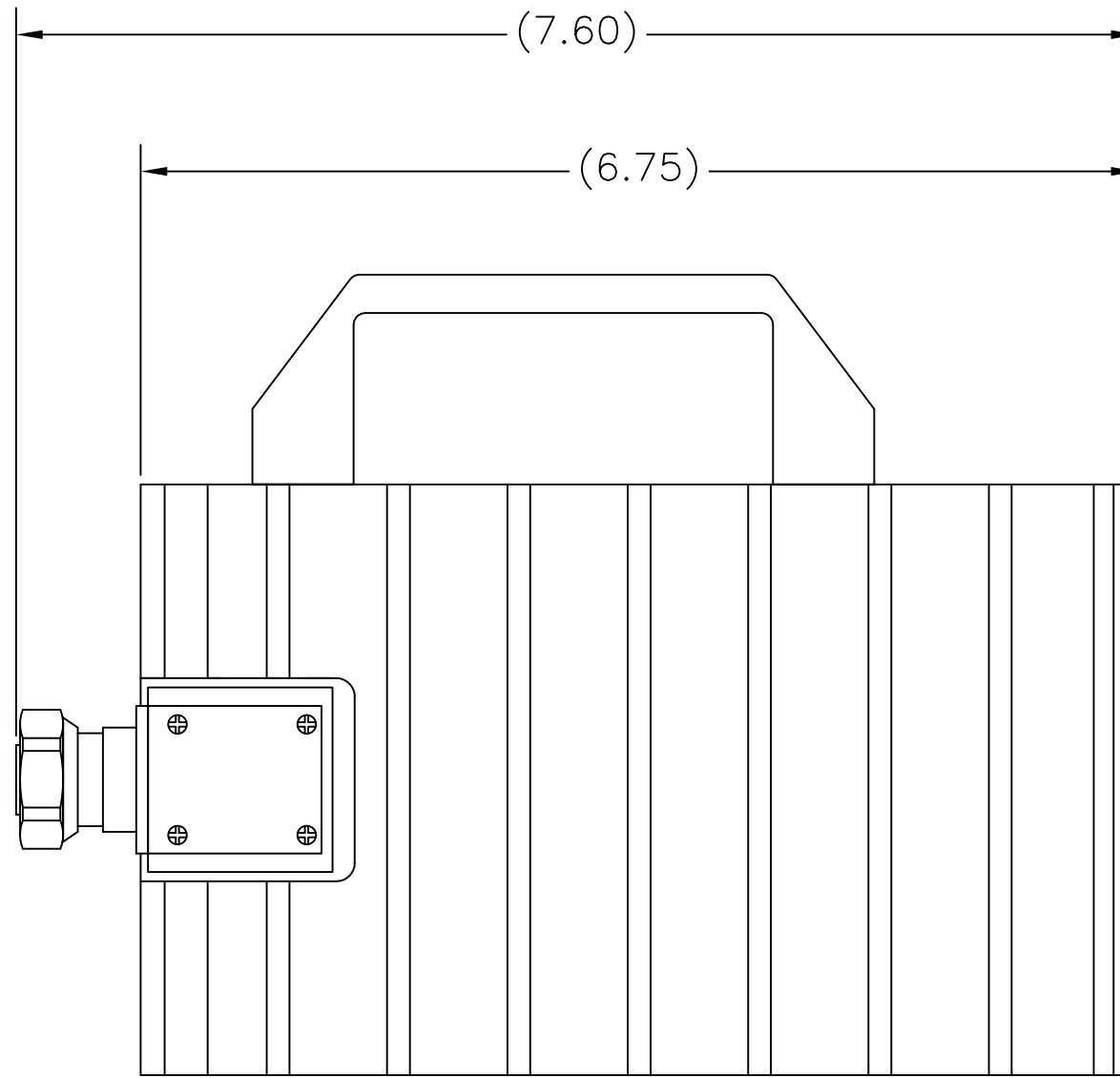
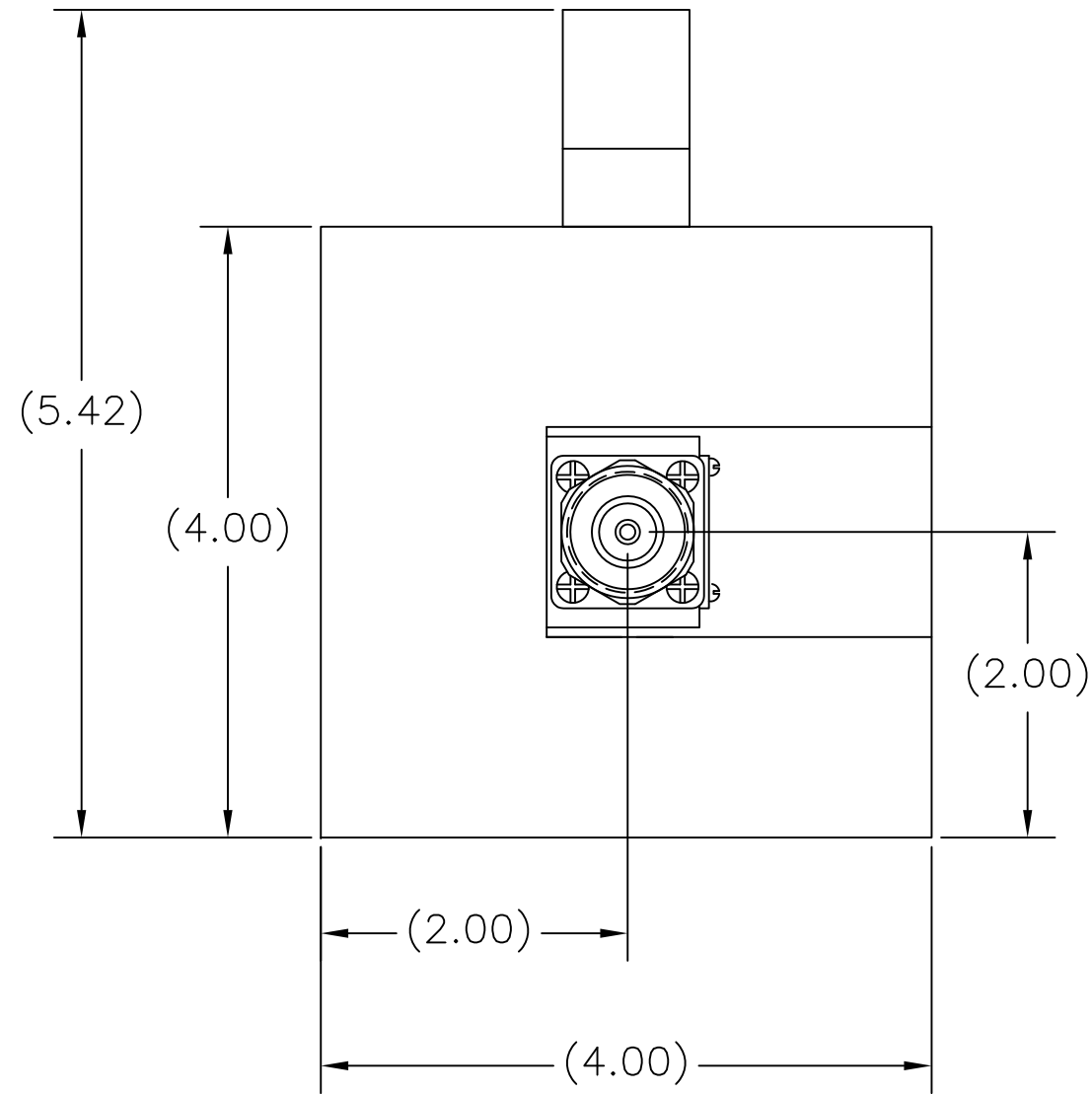
3

2

DWG. NO. 150-ST-MD SHEET 1 REV A

1

REVISIONS			
REV	DESCRIPTION	DATE	APPROVED
A	FINAL RELEASE ECO: R1602-BCP	7-15-14	



SPECIFICATIONS:  
 IMPEDANCE: 50 OHMS NOMINAL  
 POWER RATING: 150 CW AT 40°C  
 180 CW AT 25°C  
 FREQUENCY RANGE & VSWR:  
 DC TO 1 GHz AT 1.10:1 MAX.  
 1 GHz TO 3 GHz AT 1.25:1 MAX.  
 CONNECTOR: 4.1/9.5 DIN MALE  
 OPERATING POSITION: ANY  
 AMBIENT TEMPERATURE: -45°C TO +40°C  
 OPERATING TEMPERATURE: -45°C TO +120°C  
 HUMIDITY: 95% NON-CONDENSED  
 NOMINAL SIZE: APPROX 7.60" L X 4.00" W X 5.42" H  
 WEIGHT: APPROX. 5.0 LBS

MATERIALS: ALL RoHS COMPLIANT  
 CONNECTOR BODY/COUPLING NUT: BRASS  
 COOLING FIN: ALUMINUM  
 CONTACT: BRASS  
 INSULATOR: TEFLON (PTFE)  
 FINISH: ALL RoHS COMPLIANT  
 BODY/COUPLING NUT: TRI-METAL  
 COOLING FIN: BLACK ANODIZE  
 CONTACT: SILVER PLATED

UNLESS OTHERWISE SPECIFIED DIMENSIONS ARE IN INCHES  
 TOLERANCES ARE:  
 FRACTIONS ±1/64 DECIMALS .XX = ±.010  
 .XXX = ±.005  
 ANGLES ±30' MILLIMETERS .X = ±.4  
 .XX = ±.12  
 DO NOT SCALE DRAWING

APPROVALS		DATE
DRN	DMD	7-3-14
CHK	DMD	7-15-14
APP	DMD	7-15-14

THIS DRAWING IS THE PROPERTY OF THE BIRD TECHNOLOGIES GROUP OR BIRD ELECTRONIC CORPORATION. THE DESIGNS AND SPECIFICATIONS DISCLOSED HEREON ARE PROPRIETARY AND SHALL NOT BE REPRODUCED, NOR COPIED, NOR USED AS THE BASIS FOR THE MANUFACTURE OR SALE OF APPARATUS OR DEVICES WITHOUT THEIR EXPRESS WRITTEN CONSENT.

MATERIAL	CODE
FINISH	CODE

**Bird Technologies**

TITLE: TERMINATION, CONVECTION COOLED, 4.1/9.5 MINI DIN MALE, DC-3GHz, 150W

PROJ./LIB	FSCM NO. 70998	SCALE 1:1	DWG. NO. 150-ST-MD	REV A
AUTOCAD	COMM CODE LD1	SHEET 1 OF 1		

4

3

2

1