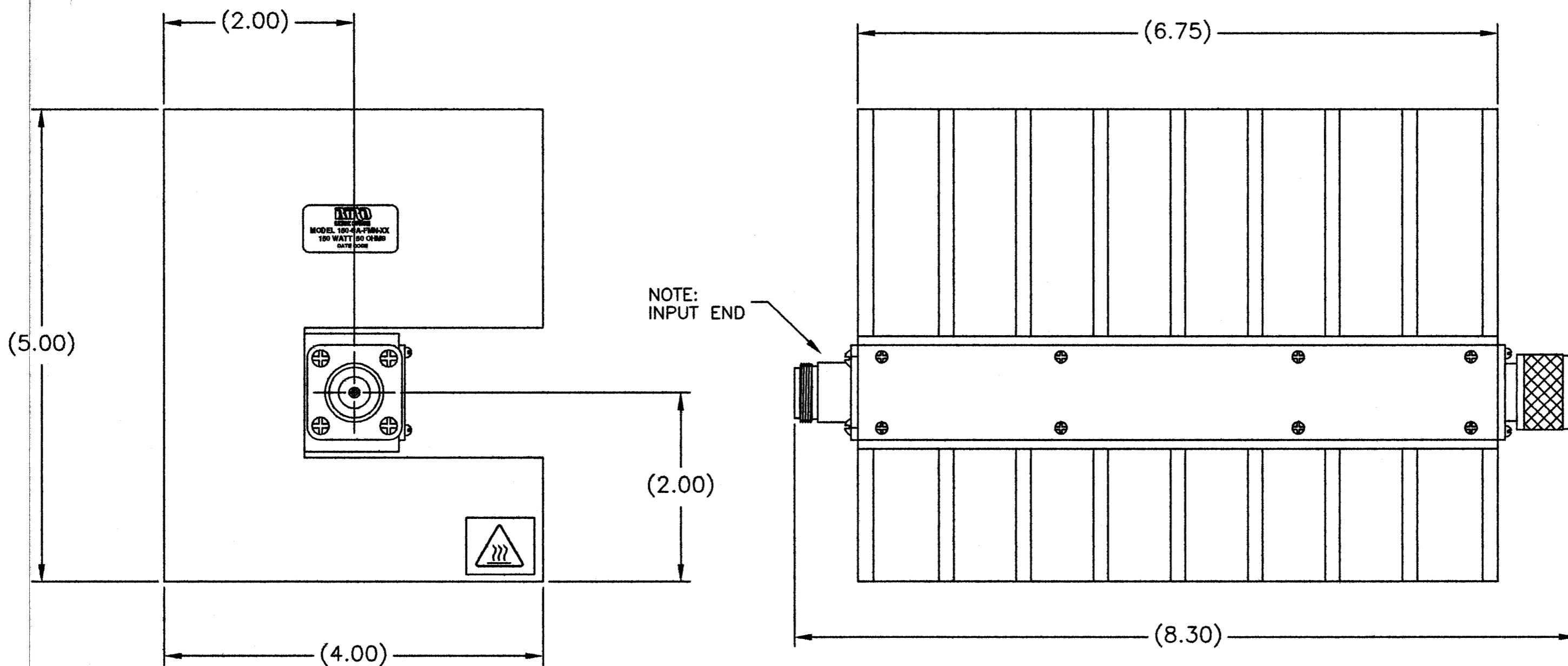
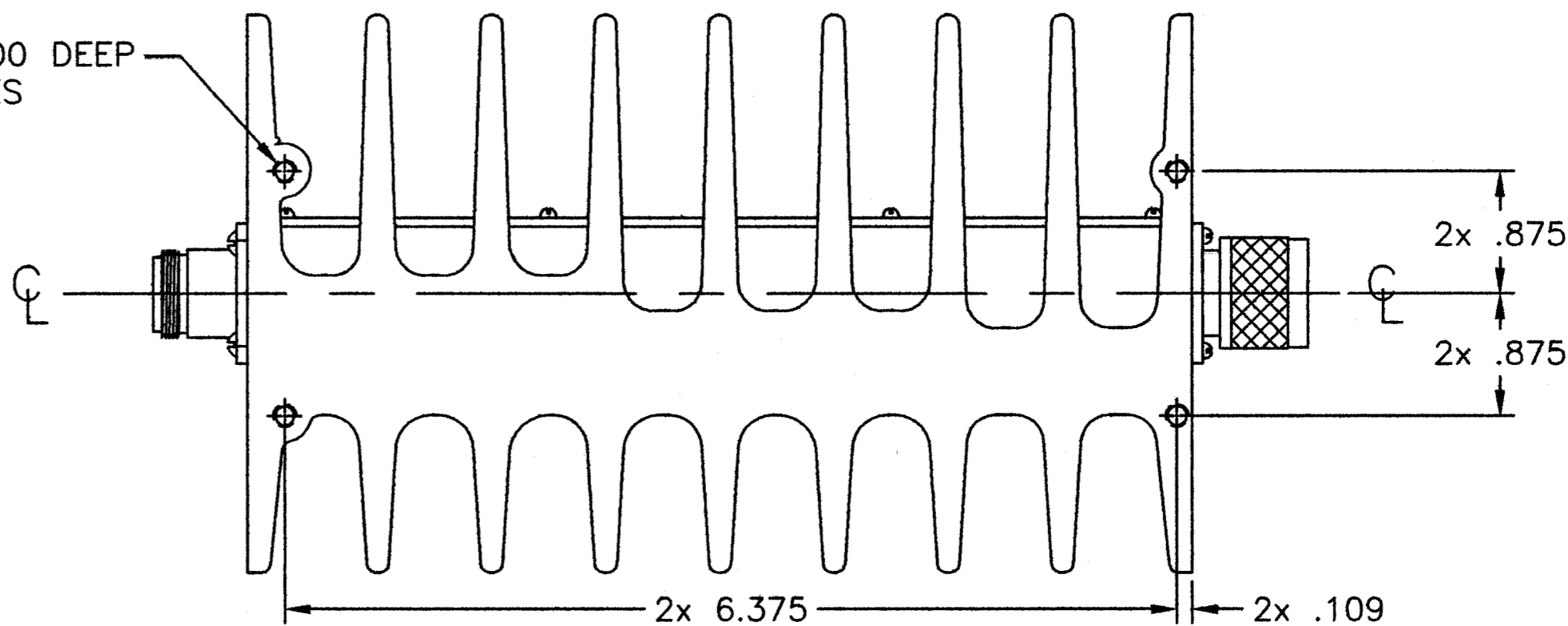


REVISIONS			DWG. NO.	SHEET	REV
ZONE	REV	DESCRIPTION	DATE	1	A
A		RELEASED TO PRODUCTION	11-22-02		mcv



4x 8-32UNC-2B x .200 DEEP MOUNTING HOLES



IMPEDANCE: 50 OHMS NOMINAL  
 FREQUENCY RANGE: DC TO 2.4GHz  
 VSWR: DC TO 1GHz AT 1.10:1 MAX.  
 1GHz TO 2.4GHz AT 1.25:1 MAX.  
 POWER RATING: 150 WATTS MAX. @ 40°C.  
 180 WATTS MAX. @ 25°C.  
 COOLING FIN: ALUMINUM, BLACK ANODIZED  
 HEAT SPREADER: ALUMINUM, TRI-ALLOY PLATED  
 CONNECTORS: N-TYPE FEMALE/MALE, TRI-ALLOY PLATED  
 OPERATING POSITION: VERTICALLY  
 NOMINAL SIZE: APPROX. 8.30" L. X 5.00" H X 4.00" W  
 WEIGHT: APPROX. 5.5 LBS.

XX = DASH NUMBER (dB VALUE)

-30	30	±0.8 dB	±1.3 dB
-20	20	±0.5 dB	±1.0 dB
-10	10	±0.4 dB	±0.8 dB
-06	6	±0.4 dB	±0.6 dB
-03	3	±0.3 dB	±0.5 dB
-02	2	±0.3 dB	±0.5 dB
-01	1	±0.3 dB	±0.5 dB
DASH NO.	dB ATTEN.	DC - 1GHz ATTENUATOR	1 - 2.4GHz ACCURACY ±dB

UNLESS OTHERWISE SPECIFIED DIMENSIONS ARE IN INCHES TOLERANCES ARE:  
 FRACTIONS DECIMALS ANGLES  
 ± 1/64 .001 ± .010 ± 30'

MILLIMETERS  
 .X = ±.4  
 .XX = ±.12

THIS DRAWING IS THE PROPERTY OF THE BIRD ELECTRONIC CORPORATION. THE DESIGNS AND SPECIFICATIONS DISCLOSED HEREON ARE PROPRIETARY AND SHALL NOT BE REPRODUCED, NOR COPIED, NOR USED AS THE BASIS FOR THE MANUFACTURE OR SALE OF APPARATUS OR DEVICES WITHOUT THEIR EXPRESS WRITTEN CONSENT.



DO NOT SCALE DRAWING		APPROVALS		DATE		TITLE	
MATERIAL		DRAWN	D.M.RINK	11-22-02	ATTENUATOR, N-TYPE FEMALE/MALE, 150W		
FINISH		CHECKED			SIZE	FSCM NO.	DWG. NO.
		APPROVED	MAEUV	12-2-02	C	70998	150-SA-FMN-XX
				AUTOCAD	SCALE	1:1	COMI CODE AT1
					SHEET	1 OF 1	