

4

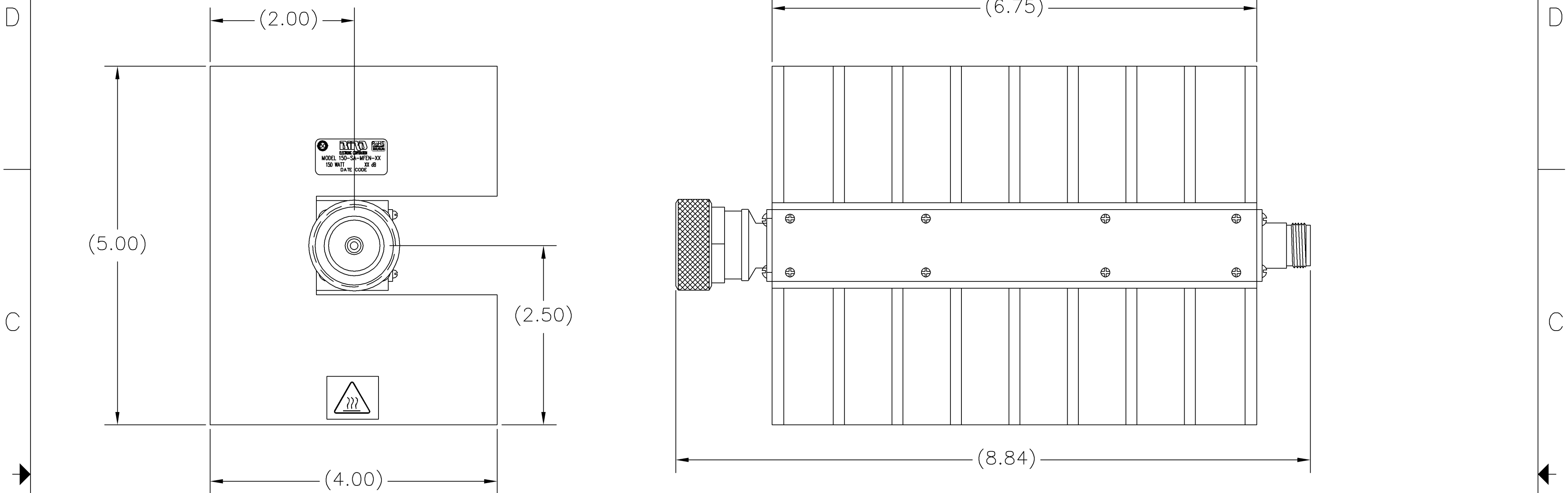
3

2

1

DWG. NO. 150-SA-MFEN-XX SHEET 1 REV A

REVISIONS			
REV	DESCRIPTION	DATE	APPROVED
A	CONVERT TO BTG FORMAT	9-24-08	DMD



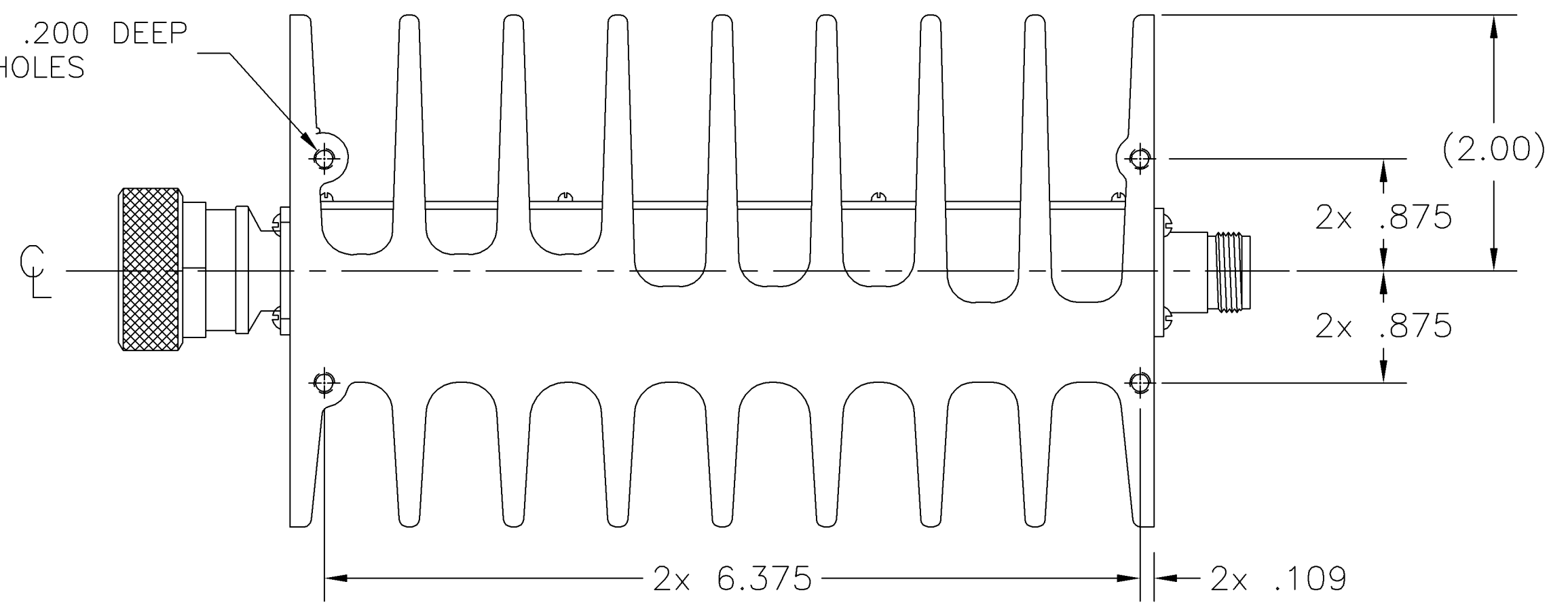
**SPECIFICATIONS:**  
 IMPEDANCE: 50 OHMS NOMINAL  
 FREQUENCY RANGE: DC TO 2.4GHz  
 VSWR: DC TO 1GHz AT 1.10:1 MAX.  
 1GHz TO 2.4GHz AT 1.25:1 MAX.  
 POWER RATING: 150 WATTS MAX. @ 40°C.  
 180 WATTS MAX. @ 25°C.  
 COOLING FIN: ALUMINUM, BLACK ANODIZED  
 HEAT SPREADER: ALUMINUM, TRI-ALLOY PLATED  
 CONNECTORS: 7/16 DIN MALE, N-TYPE FEMALE  
 OPERATING POSITION: VERTICALLY  
 NOMINAL SIZE: APPROX. 8.84" L. X 5.00" H X 4.00" W  
 WEIGHT: APPROX. 5.5 LBS.

XX = DASH NUMBER (dB VALUE)

-30	30	±0.8 dB	±1.3 dB
-20	20	±0.5 dB	±1.0 dB
-10	10	±0.4 dB	±0.8 dB
-06	6	±0.4 dB	±0.6 dB
-03	3	±0.3 dB	±0.5 dB
-02	2	±0.3 dB	±0.5 dB
-01	1	±0.3 dB	±0.5 dB
DASH NO.	dB ATTEN.	DC - 1GHz ATTENUATOR	1 - 2.4GHz ACCURACY ±dB

**NOTE:**  
 FOR VALUES NOT LISTED, REFER TO THE NEXT HIGHER ATTENUATION LEVEL FOR SPECIFICATIONS. FOR ATTENUATION VALUES GREATER THAN THE HIGHEST LISTED ATTENUATION VALUE, REFER TO THE VALUE 1/2 THE DESIRED ATTENUATION LEVEL, THEN DOUBLE THE LISTED SPECIFICATION VALUES, UNLESS OTHERWISE SPECIFIED.

4x 8-32UNC-2B x .200 DEEP MOUNTING HOLES



UNLESS OTHERWISE SPECIFIED DIMENSIONS ARE IN INCHES		APPROVALS		DATE	
TOLERANCES ARE:		DRN	DMD	9-24-08	
FRACTIONS ±1/64	DECIMALS .XX = ±.010 .XXX = ±.005	CHK	D.M.RINK	9-25-08	
ANGLES ±30'	MILLIMETERS .X = ±.4 .XX = ±.12	APP	DMD		
DO NOT SCALE DRAWING		MATERIAL	CODE	TITLE	ATTENUATOR, CONVECTION COOLED, 7/16 DIN MALE/N-TYPE FEMALE, 150W
THIS DRAWING IS THE PROPERTY OF THE BIRD TECHNOLOGIES GROUP OR BIRD ELECTRONIC CORPORATION. THE DESIGNS AND SPECIFICATIONS DISCLOSED HEREIN ARE PROPRIETARY AND SHALL NOT BE REPRODUCED, NOR COPIED, NOR USED AS THE BASIS FOR THE MANUFACTURE OR SALE OF APPARATUS OR DEVICES WITHOUT THEIR EXPRESS WRITTEN CONSENT.		FINISH	CODE	FSCM NO. 70998	SCALE 1:1
				DWG. NO. 150-SA-MFEN-XX	REV A
				PROJ./LIB AUTOCAD	COMM CODE AT1
				SHEET 1 OF 1	

4

3

2

1