

4

3

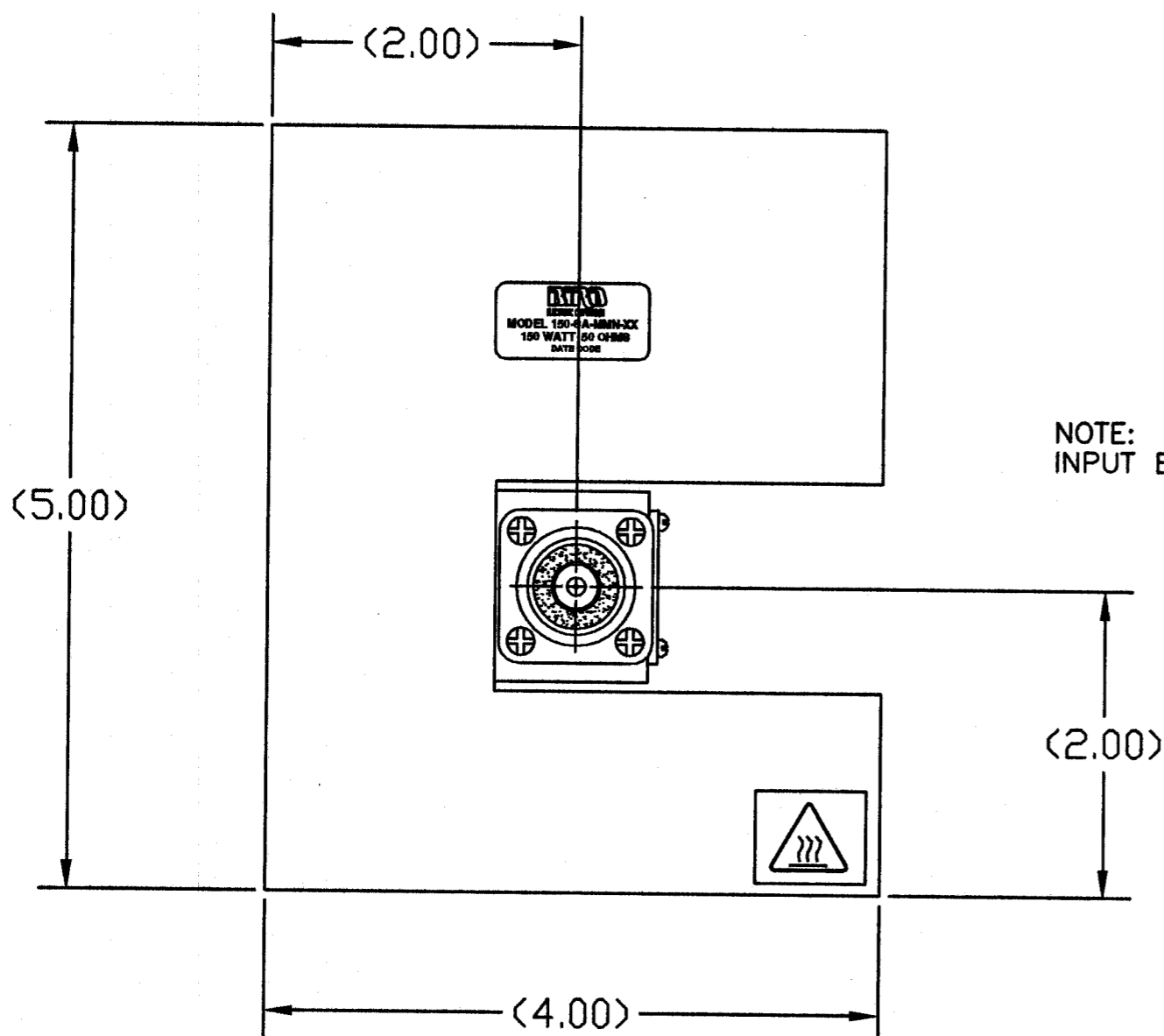
2

1

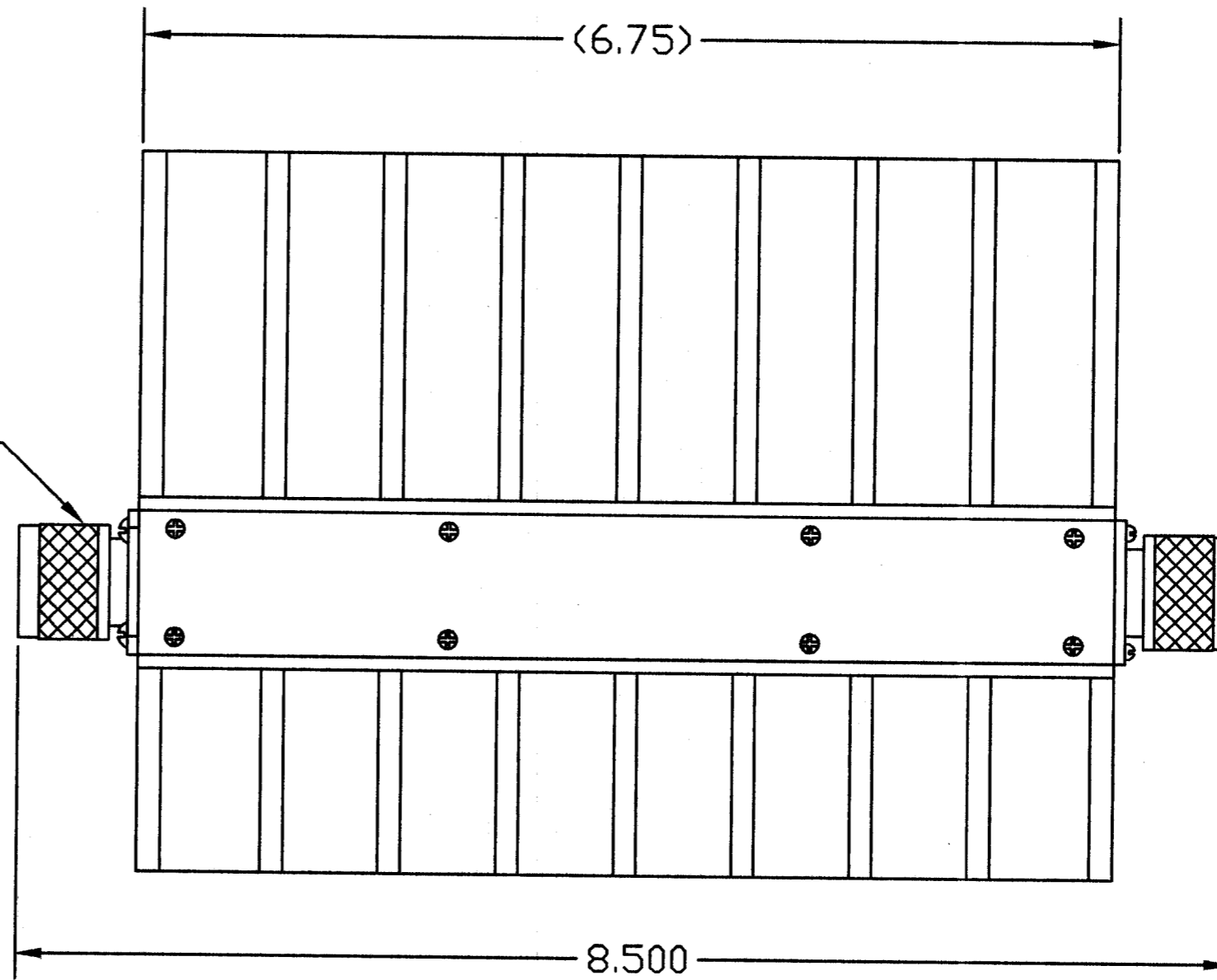
NOTES:

- ☒ 1. PART MUST BE BURR FREE.
- ☒ 2. CHAMFER 1st THREAD.
- ☒ 3. 63 MICRINCH UNLESS OTHERWISE SPECIFIED.
- ☐ 4. PER BPS
- ☒ 5. .005 RADIUS ON ALL INSIDE & OUTSIDE CORNERS UNLESS OTHERWISE SPECIFIED.

REVISIONS		DWG. NO.	150-SA-MMN-XX	SHEET	REV
ZONE	REV	DESCRIPTION	DATE	APPROVED	
	A	RELEASED TO PRODUCTION	12-14-98	<i>MP</i>	

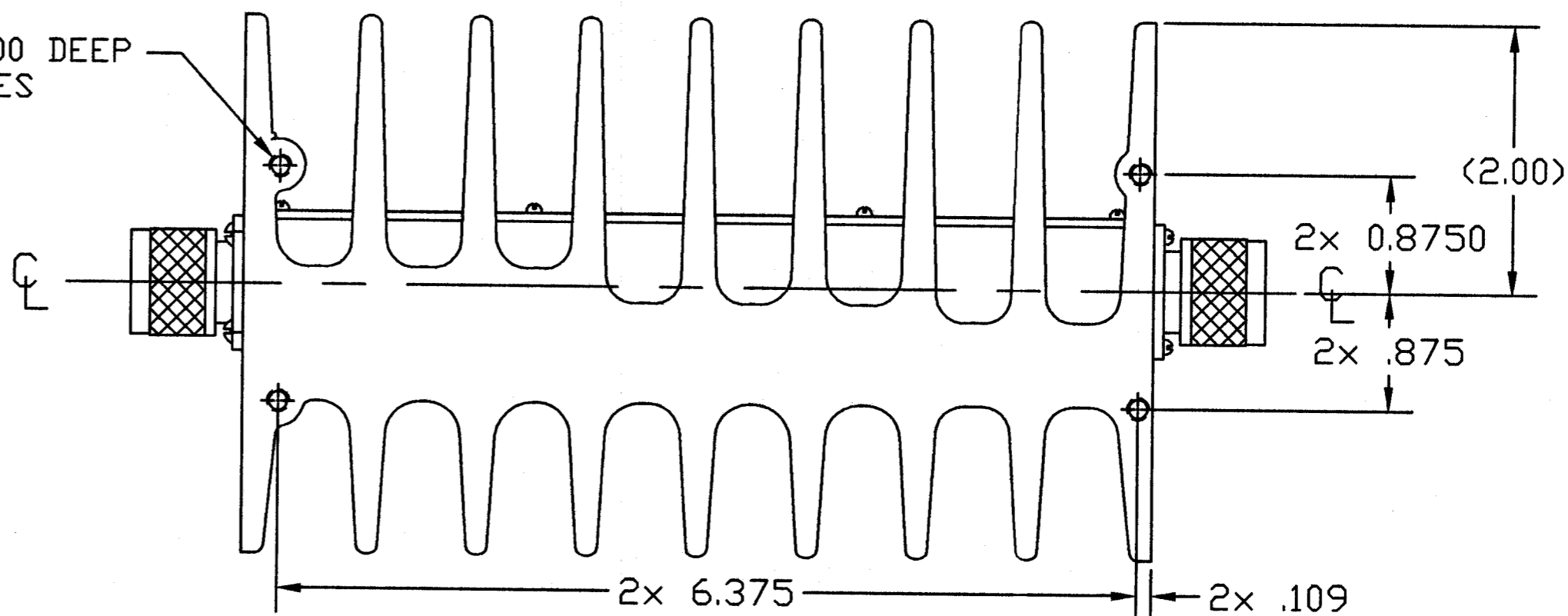


NOTE: INPUT END



**SPECIFICATIONS:**  
 IMPEDANCE: 50 OHMS NOMINAL  
 FREQUENCY RANGE: DC TO 2.4GHz  
 VSWR: DC TO 1GHz AT 1.10:1 MAX.  
 1GHz TO 2.4GHz AT 1.25:1 MAX.  
 POWER RATING: 150 WATTS MAX. @ 40°C. (BI-DIRECTIONAL)  
 180 WATTS MAX. @ 25°C. (BI-DIRECTIONAL)  
 COOLING FIN: ALUMINUM, BLACK ANODIZED  
 HEAT SPREADER: ALUMINUM, TRI-ALLOY PLATED  
 CONNECTORS: N-TYPE MALE, TRI-ALLOY PLATED  
 OPERATING POSITION: VERTICALLY  
 NOMINAL SIZE: APPROX. 8.50" L. X 5.00" H X 4.00" W  
 WEIGHT: APPROX. 5.5 LBS.

4x 8-32UNC-2B x .200 DEEP MOUNTING HOLES



XX = DASH NUMBER (dB VALUE)

-30	30	±0.8 dB	±1.3 dB
-20	20	±0.5 dB	±1.0 dB
-10	10	±0.4 dB	±0.8 dB
-06	6	±0.4 dB	±0.6 dB
-03	3	±0.3 dB	±0.5 dB
-02	2	±0.3 dB	±0.5 dB
-01	1	±0.3 dB	±0.5 dB
DASH NO.	dB ATTEN.	DC - 1GHz ATTENUATOR	1 - 2.4GHz ACCURACY ±dB

NOTE:  
 FOR VALUES NOT LISTED, REFER TO THE NEXT HIGHER ATTENUATION LEVEL FOR SPECIFICATIONS. FOR ATTENUATION VALUES GREATER THAN THE HIGHEST LISTED ATTENUATION VALUE, REFER TO THE VALUE 1/2 THE DESIRED ATTENUATION LEVEL, THEN DOUBLE THE LISTED SPECIFICATION VALUES, UNLESS OTHERWISE SPECIFIED.

UNLESS OTHERWISE SPECIFIED DIMENSIONS ARE IN INCHES TOLERANCES ARE:  
 FRACTIONS ± 1/64  
 DECIMALS .001  
 ANGLES ± 30'

MILLIMETERS  
 .X = ±.4  
 .XX = ±.12

THIS DRAWING IS THE PROPERTY OF THE BIRD ELECTRONIC CORPORATION. THE DESIGNS AND SPECIFICATIONS DISCLOSED HEREON ARE PROPRIETARY AND SHALL NOT BE REPRODUCED, NOR COPIED, NOR USED AS THE BASIS FOR THE MANUFACTURE OR SALE OF APPARATUS OR DEVICES WITHOUT THEIR EXPRESS WRITTEN CONSENT.



MATERIAL	APPROVALS	DATE	TITLE
	D.M.RINK	4-4-03	ATTENUATOR, CONVECTION COOLED N-TYPE MALE/MALE, 150W
FINISH	CHECKED	APPROVED <i>MP</i>	SIZE / PSCM NO. / DWG. NO. / REV
		6/15/03	C / 70998 / 150-SA-MMN-XX / A
		AUTOCAD	SCALE 1:1 / COMM CODE AT1 / SHEET 1 OF 1

4

3

2

1