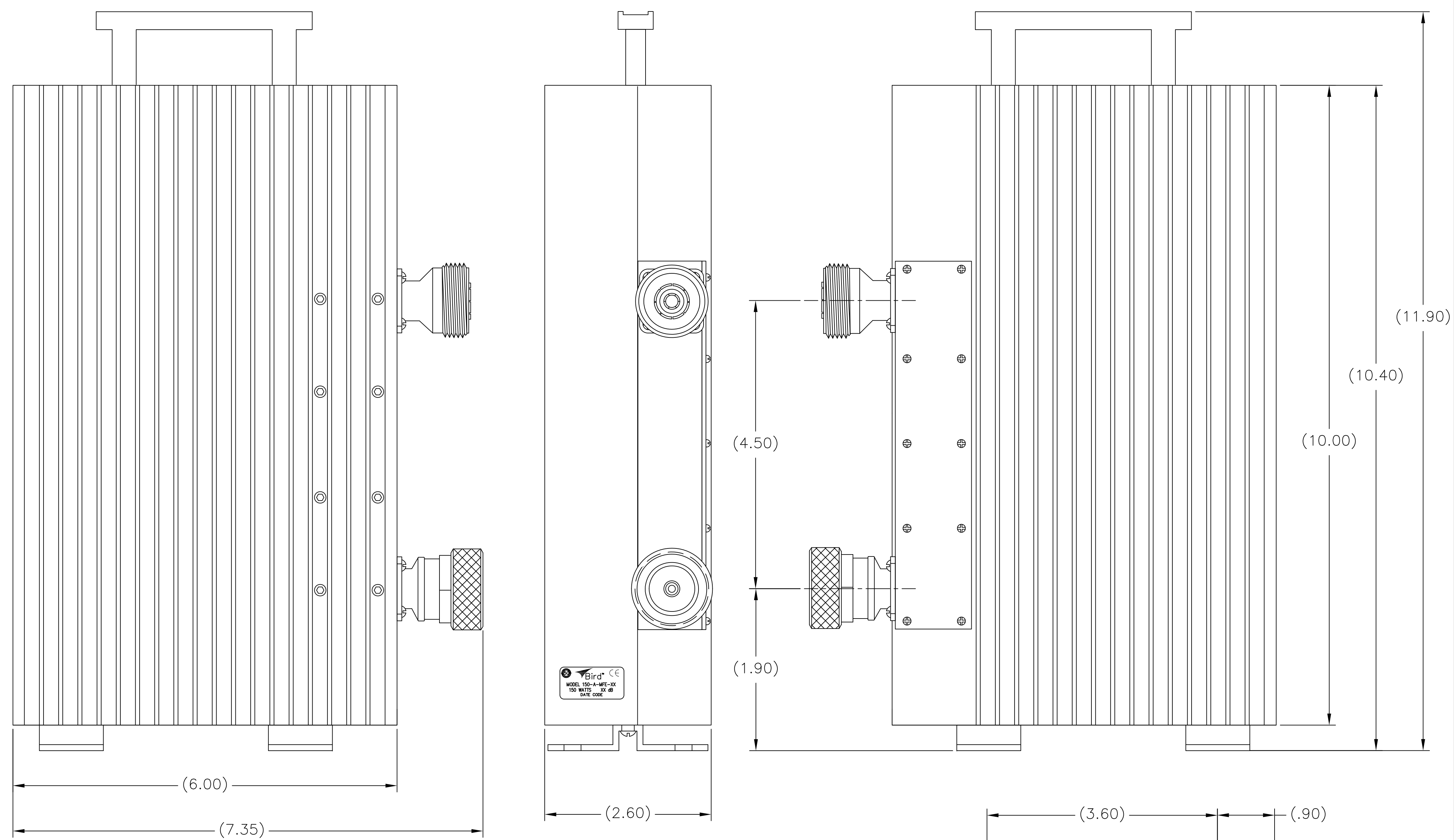


REVISIONS			
REV	DESCRIPTION	DATE	APPROVED
A	CONVERT TO BTG FORMAT	6-23-08	
B	CHANGE FREQUENCY RANGE, LABELING ECO: 16026/NA	6-7-17	N Azim



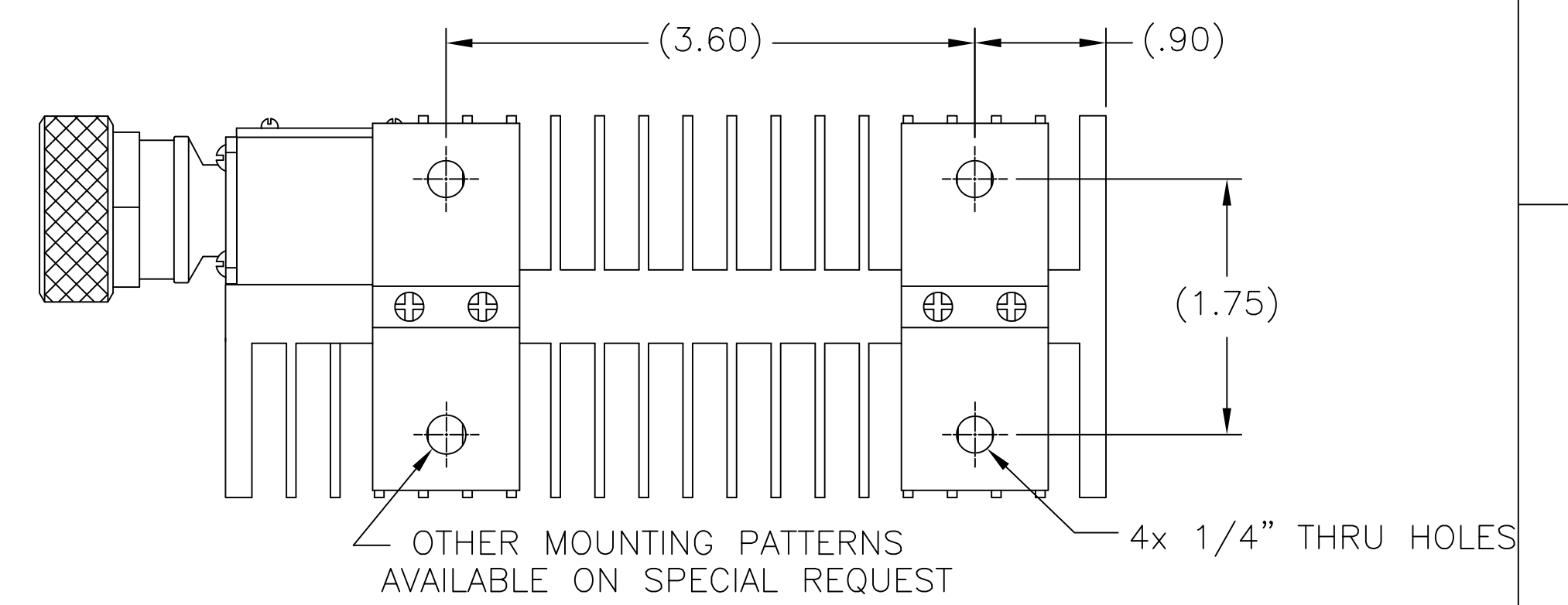
**SPECIFICATIONS:**  
 ATTENUATION VALUE/ACCURACY: SEE TABLE  
 IMPEDANCE: 50 OHMS NOMINAL  
 POWER RATING: 150 CW AT 40°C  
 180 CW AT 25°C  
 -DERATED LINEARLY TO 0 WATTS FROM 40°C TO 120°C  
 PEAK POWER: 2.5kW MAX, PULSES NOT TO EXCEED 1mS  
 -DUTY CYCLE NOT TO EXCEED AVERAGE RATED POWER  
 FREQUENCY RANGE & VSWR:  
 DC TO 1 GHz AT 1.10:1 MAX.  
 1 GHz TO 3 GHz AT 1.25:1 MAX.  
 CONNECTORS: IEC MALE/FEMALE  
 OPERATING POSITION: VERTICAL (MOUNTING BRACKETS DOWN)  
 AMBIENT TEMPERATURE: -40°C TO +40°C  
 OPERATING TEMPERATURE: -40°C TO +120°C  
 HUMIDITY: 95% NON-CONDENSED  
 WEIGHT: APPROX. 6.6 LBS  
 MATERIALS: ALL RoHS COMPLIANT  
 CONNECTOR BODY: BRASS  
 HOUSING/COVER: ALUMINUM  
 COOLING FIN: ALUMINUM  
 CONTACT: BRASS OR BERYLLIUM COPPER  
 INSULATOR: TEFLON (PTFE)  
 FINISH: ALL RoHS COMPLIANT  
 CONNECTOR BODY/HOUSING/COVER: TRI-METAL  
 COOLING FIN: BLACK ANODIZE  
 CONTACT: SILVER OR GOLD PLATED

XX = DASH NUMBER (dB VALUE)

DASH NO.	dB ATTEN.	DC - 1GHz ATTENUATOR	1 - 3.0GHz ATTENUATOR ACCURACY ±dB
-30	30	±0.8 dB	±1.3 dB
-20	20	±0.5 dB	±1.0 dB
-10	10	±0.4 dB	±0.8 dB
-06	6	±0.4 dB	±0.6 dB
-03	3	±0.3 dB	±0.5 dB
-02	2	±0.3 dB	±0.5 dB
-01	1	±0.3 dB	±0.5 dB

DIMENSIONS HEREON ARE FOR CUSTOMER CONVENIENCE AND REFERENCE ONLY. TOLERANCE TO BE APPLIED ONLY WHERE INDIVIDUALLY STATED ON THE RESPECTIVE DIMENSION. -DO NOT SCALE DRAWING-

NOTE:  
 FOR VALUES NOT LISTED, REFER TO THE NEXT HIGHER ATTENUATION LEVEL FOR SPECIFICATIONS. FOR ATTENUATION VALUES GREATER THAN THE HIGHEST LISTED ATTENUATION VALUE, REFER TO THE VALUE 1/2 THE DESIRED ATTENUATION LEVEL, THEN DOUBLE THE LISTED SPECIFICATION VALUES, UNLESS OTHERWISE SPECIFIED.



UNLESS OTHERWISE SPECIFIED DIMENSIONS ARE IN INCHES		TOLERANCES ARE:		APPROVALS		DATE	
FRACTIONS ±1/64		DECIMALS .XX= ±0.10 .XXX= ±0.005		DRN	DMD	6-23-08	
ANGLES ±30°		MILLIMETERS .X= ±.4 .XX= ±.12		CHK			
DO NOT SCALE DRAWING				APP			
MATERIAL				CODE			
FINISH				CODE			
THIS DRAWING IS THE PROPERTY OF THE BIRD TECHNOLOGIES GROUP OR BIRD ELECTRONIC CORP. ORION. THE DESIGN AND SPECIFICATIONS DISCLOSED HEREON ARE PROPRIETARY AND SHALL NOT BE REPRODUCED, NOR COPIED, NOR USED AS THE BASIS FOR THE MANUFACTURE OR SALE OF APPARATUS OR DEVICES WITHOUT THEIR EXPRESS WRITTEN CONSENT.				TITLE			
D				ATTENUATOR, CONVECTION COOLED, IEC 7/16 MALE/FEMALE, 150W			
FSCM NO. 70998		SCALE 1:1		DWG. NO. 150-A-MFE-XX		REV B	
PROJ./LIB AUTOCAD		COMM CODE AT1		SHEET 1 OF 1			