

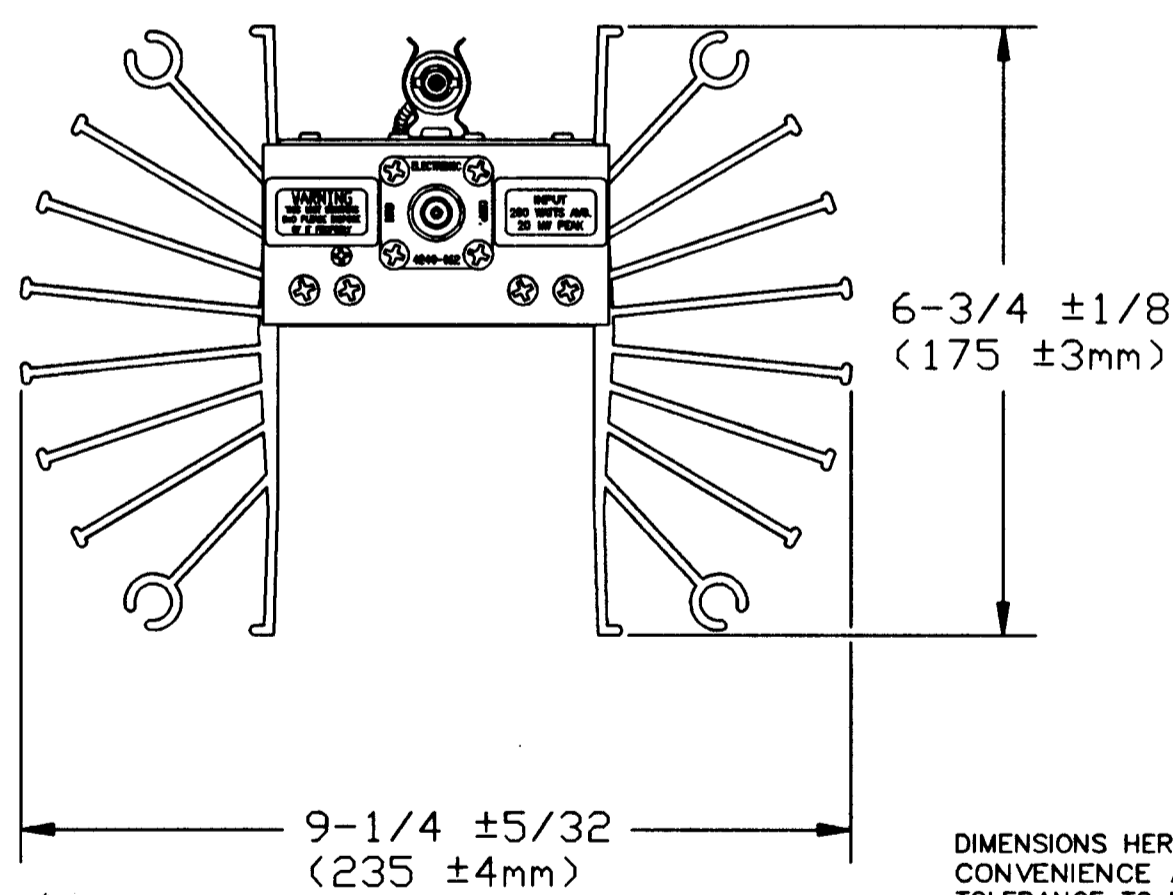
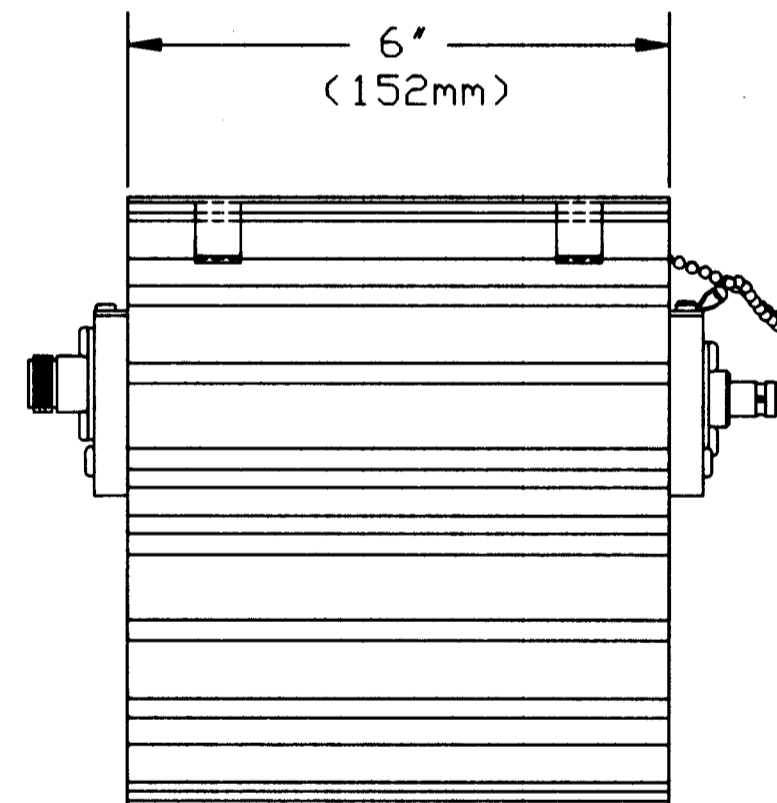
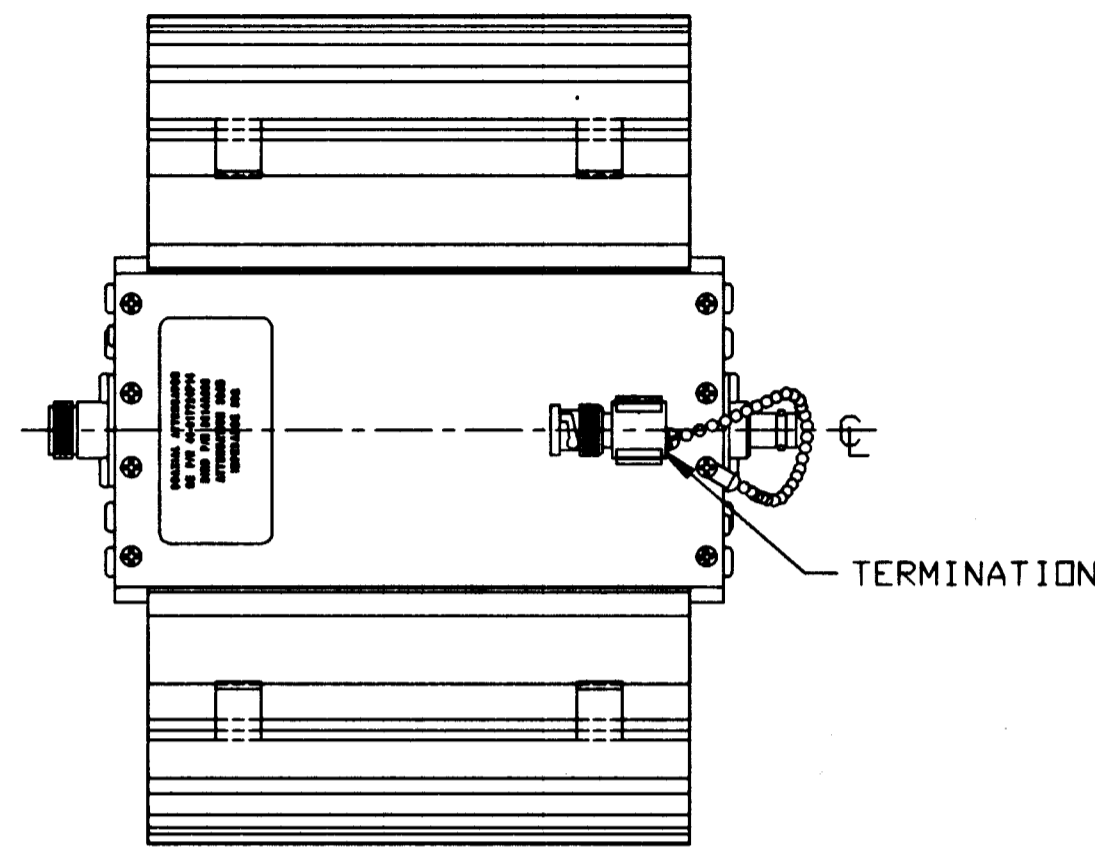
**SPECIFICATIONS**

OPERATING FREQUENCY: 20.99MHz TO 64.16MHz  
 OPERATING TEMPERATURE: 50°F TO 85°F (10°C TO 30°C)  
 STORAGE TEMPERATURE: -30°F TO 150°F (-35°C TO 65°C)  
 WARM-UP TIME: NONE REQUIRED IF INITIAL TEMPERATURE IS WITHIN OPERATING TEMPERATURE RANGE.  
 INPUT/OUTPUT IMPEDANCE: 50Ω NOMINAL  
 INPUT/OUTPUT VSWR: 1.1:1 MAXIMUM  
 MAXIMUM PEAK POWER: 25kW WITH 1.0mS RECTANGULAR PULSE @ 0.1% DUTY CYCLE (MAXIMUM 5 PULSES)  
 20kW WITH 4.0mS RECTANGULAR PULSE @ 1.0% DUTY CYCLE  
 MAXIMUM CONTINUOUS AVERAGE POWER: 200W  
 MAXIMUM PULSE WIDTH: 4.0mS RECTANGULAR  
 ATTENUATION: 30.0 ±0.5dB  
 ATTENUATION STABILITY: CONSTANT WITHIN ±0.1dB OVER ANY 10 MINUTE INTERVAL UNDER THE FOLLOWING CONDITIONS:  
 a. ANY AVERAGE POWER BETWEEN 0 AND 50W.  
 b. AMBIENT TEMPERATURE IS WITHIN THE ALLOWABLE OPERATING RANGE.  
 c. INITIAL TEMPERATURE IS ANY VALUE BETWEEN AMBIENT AND EQUILIBRIUM.  
 d. RECTANGLE PUSLE BETWEEN 1.0 AND 4.0mS.  
 e. PEAK POWER UP TO 20kW.  
 INPUT CONNECTOR: FEMALE TYPE N  
 OUTPUT CONNECTOR: FEMALE TYPE BNC

**TERMINATION SPECIFICATIONS**

INPUT IMPEDANCE: 50 NOMINAL  
 VSWR: 1.15:1  
 MAXIMUM AVERAGE POWER: 250mW  
 MAXIMUM PEAK POWER: 28W  
 MAXIMUM PULSE WIDTH: 4.0mS RECTANGULAR  
 INPUT CONNECTOR: BNC MALE  
 CHAIN LENGTH: 4' ±3/16" (102 ±5mm)

REVISIONS		8314A030	
		DRAWING NO. 1 OF 1	
LTR.	SECTION	DESCRIPTION	DATE
D		REV. & REDRAWN PER ECN 9423 E.S.	4-25-95



DIMENSIONS HEREON ARE FOR CUSTOMER CONVENIENCE AND REFERENCE ONLY. TOLERANCE TO BE APPLIED ONLY WHERE INDIVIDUALLY STATED ON THE RESPECTIVE DIMENSION. -DO NOT SCALE DRAWING-

THIS DRAWING IS THE PROPERTY OF THE BIRD ELECTRONIC CORPORATION. THE DESIGNS AND SPECIFICATIONS DISCLOSED HEREON IS PROPRIETARY AND SHALL NOT BE REPRODUCED, NOR COPIED, NOR USED AS THE BASIS FOR THE MANUFACTURE OR SALE OF APPARATUS OR DEVICES WITHOUT THEIR EXPRESS WRITTEN CONSENT.		ITEM REQ. DRAWING NO. DESCRIPTION MATL.:
DRAWN A. SNYDER 4-25-95 CHECKED A. SNYDER 4-25-95 APPROVED <i>[Signature]</i> 5-26-95	FINISH: CODE IDENT. NO. 70998	SCALE: 1/2 ITEM TYPE: CDM. CD. AT1
DESCRIPTION: ATTENUATOR, HIGH POWER/OUTLINE SUB-DESCRIPTION: 30dB		SIZE: 8314A030 DRAWING NO. 1 OF 1

