

4

3

2

1

DWG. NO. 4275-000 SHEET 1 REV E

REVISIONS			
REV	DESCRIPTION	DATE	APPROVED
C	REVISED PER ECN 2977 B.H.	4-27-78	
D	REVISED PER ECN 8455 A.T.	3-18-92	
E	ADD COUPLING TOLERANCE TO SPEC., REMOVE ±3dB FROM COUPLING, UPDATE CHART. ECO:14487/HS	6/14/11	T.Holt

SPECIFICATIONS

IMPEDANCE: 50 OHMS NOMINAL

FREQUENCY RANGE: 20 - 1000 MHz

MAXIMUM POWER: 1000 WATTS

INSERTION VSWR IN 50 OHM SYSTEM: 1.1 MAX. 2-512 MHz*
1.25 MAX. 512-1000 MHz*

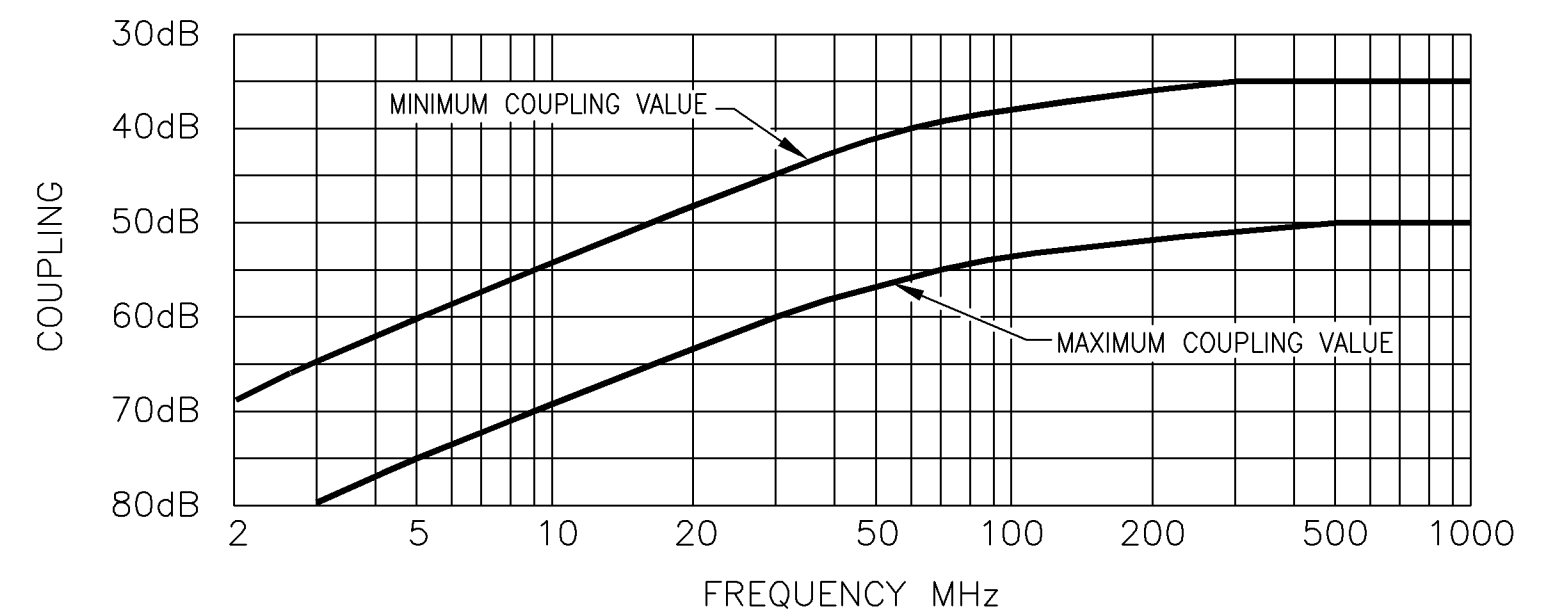
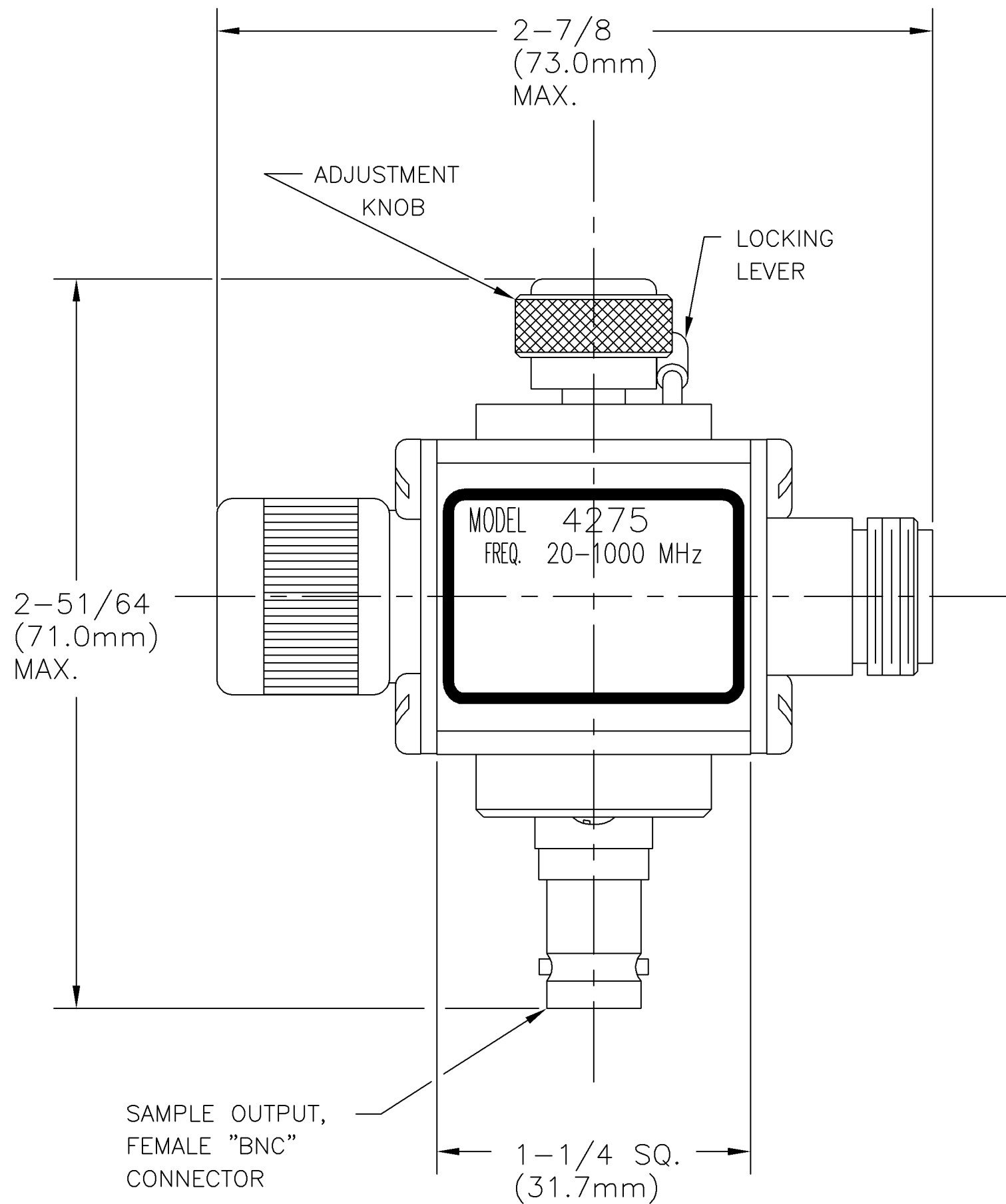
INSERTION LOSS: 0.1 dB MAX. 2-512 MHz*
0.2 dB MAX. 512-1000 MHz*

COUPLING: ADJUSTABLE AS SHOWN

COUPLING TOLERANCE: MAXIMUM COUPLING +10dB/-3dB
MINIMUM COUPLING -10dB/+3dB

CONNECTORS: BIRD "Q.C." TYPE (PER CUSTOMER ORDER)

WEIGHT: 10 OZ. (.28Kg)*
* WITH "N" CONNECTORS ONLY



4275-045	(2) FEMALE "BNC"
4275-040	(1) FEMALE "BNC" & (1) MALE "BNC"
4275-035	(2) FEMALE "UHF"
4275-030	(1) FEMALE UHF & (1) MALE UHF
4275-025	(2) FEMALE "N"
4275-020	(1) FEMALE "N" & (1) MALE "N"
4275	BASIC UNIT WITHOUT CONNECTOR
MODEL	CONNECTOR DESCRIPTION

UNLESS OTHERWISE SPECIFIED DIMENSIONS ARE IN INCHES TOLERANCES ARE: FRACTIONS ±1/64 DECIMALS .XX = ±.010 .XXX = ±.005 ANGLES ±30' MILLIMETERS .X = ±.4 .XX = ±.12 DO NOT SCALE DRAWING		APPROVALS DRN GIONEST CHK D.L.A. APP D.L.A.		DATE 3-11-92 3-1-94 3-1-94	
THIS DRAWING IS THE PROPERTY OF THE BIRD TECHNOLOGIES GROUP OR BIRD ELECTRONIC CORP-ORATION. THE DESIGNS AND SPECIFICATIONS DISCLOSED HEREON ARE PROPRIETARY AND SHALL NOT BE REPRODUCED, NOR COPIED, NOR USED AS THE BASIS FOR THE MANUFACTURE OR SALE OF APPARATUS OR DEVICES WITHOUT THEIR EXPRESS WRITTEN CONSENT.		MATERIAL SILVER PLATE		TITLE VARIABLE SAMPLER MODEL 4275 SERIES/OUTLINE	
FSCM NO. 70998 SCALE 2/1 PROJ./LIB AUTOCAD		DWG. NO. 4275-000 SHEET 1 OF 1		REV E	

4

3

2

1