

4

3

2

DWG. NO. 100-T-MT SHEET 1 REV B

1

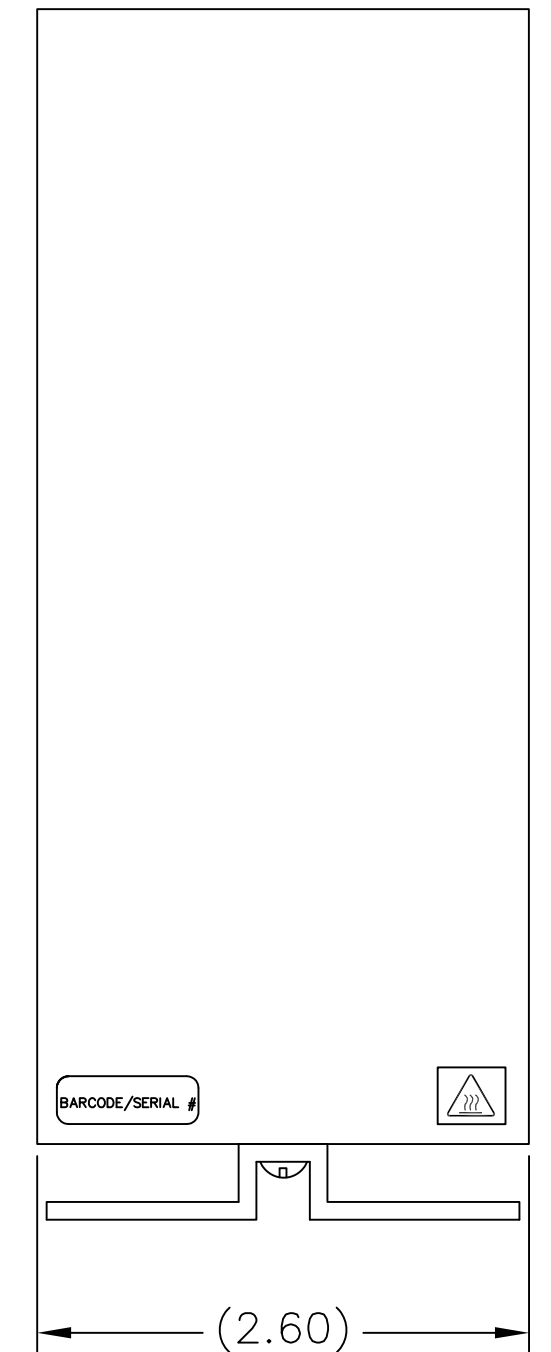
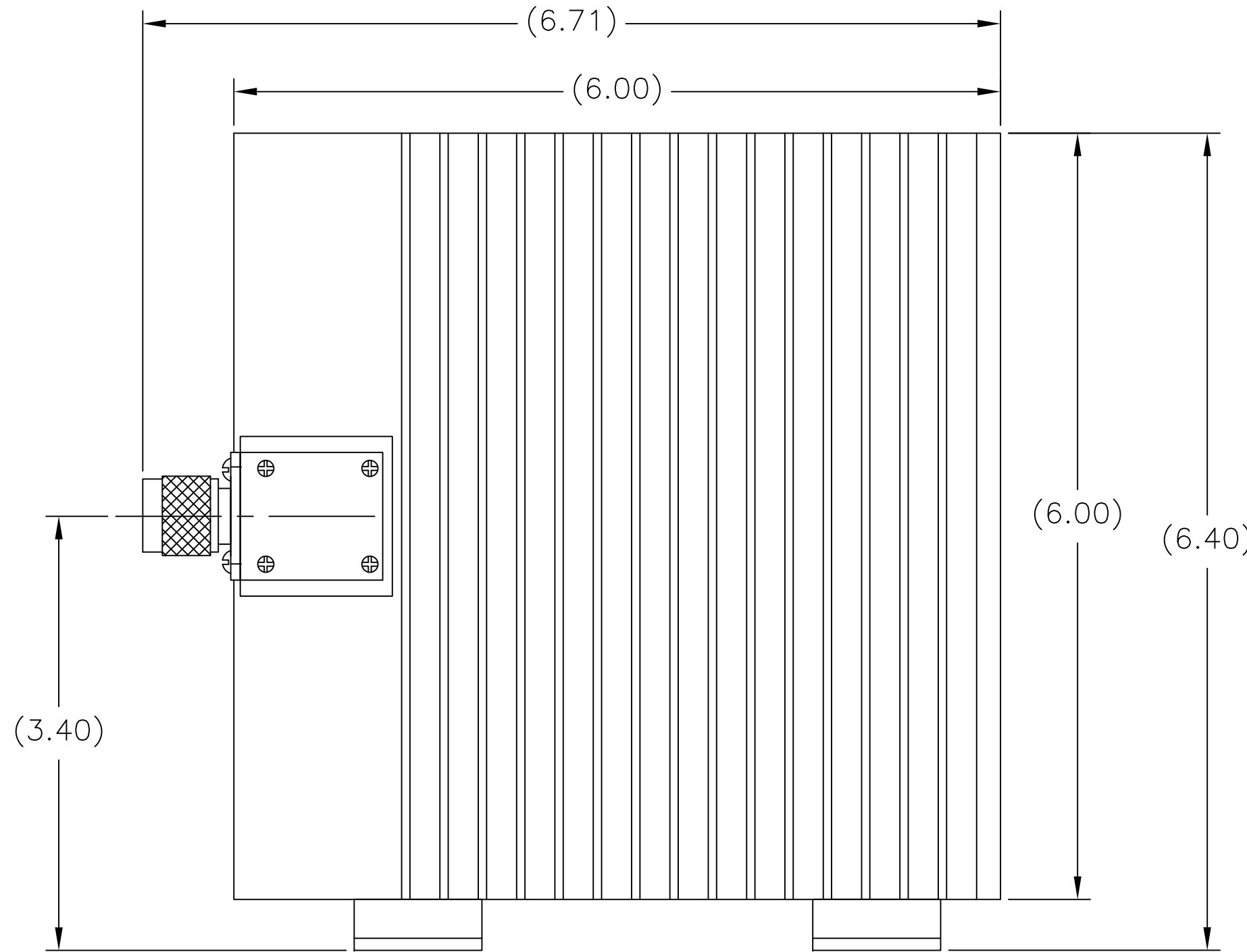
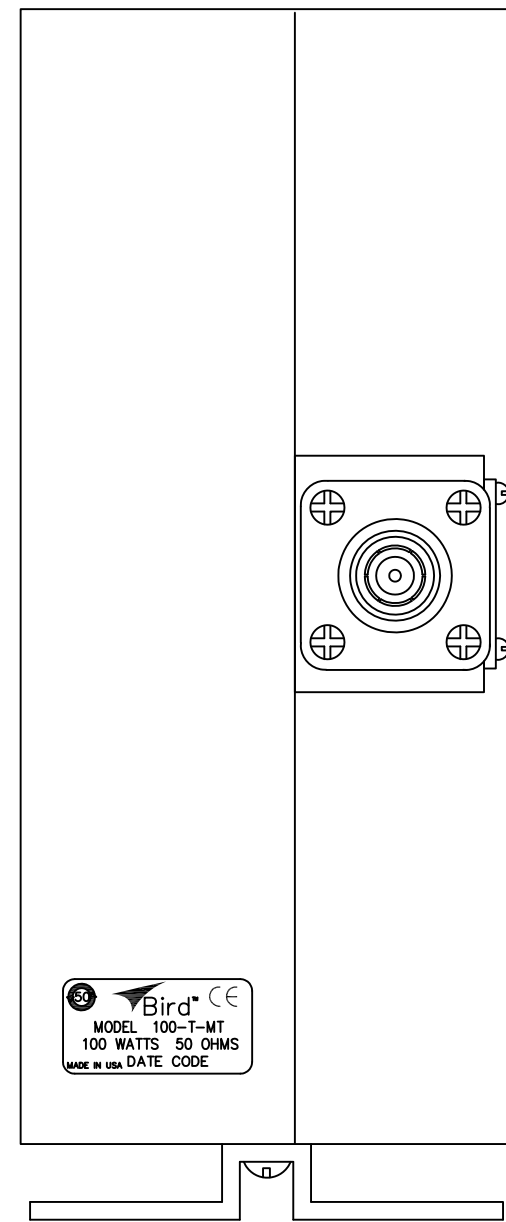
REVISIONS			
REV	DESCRIPTION	DATE	APPROVED
A	CONVERT TO BTG FORMAT	3-6-07	DMD
B	FREQ RANGE TO 3GHz, UPDATE LABELING/DRAWING FORMAT ECO: 15851/DMD	12-2-15	<i>[Signature]</i>

D

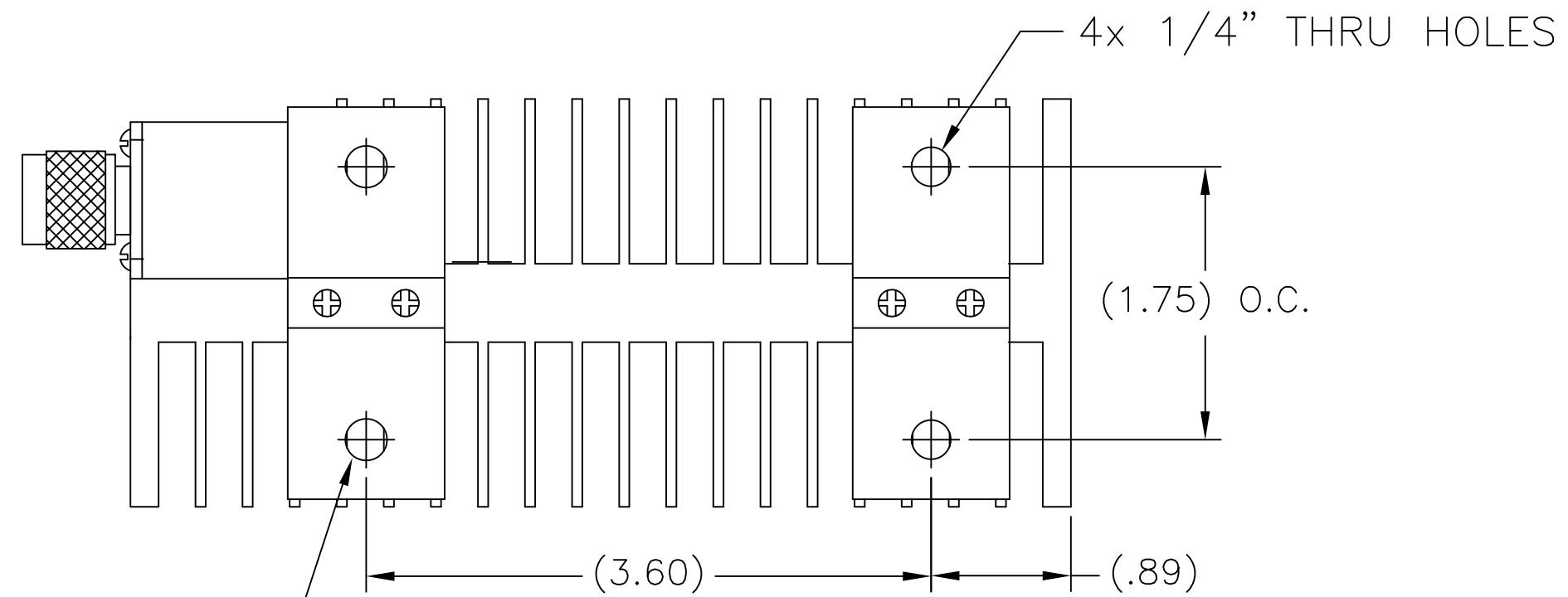
C

B

A



SPECIFICATIONS:
 IMPEDANCE: 50 OHMS NOMINAL
 POWER RATING: 100 CW AT 40°C
 125 CW AT 25°C
 -DERATED LINEARLY TO 0 WATTS FROM 40°C TO 120°C
 PEAK POWER: 2.5kW MAX, PULSES NOT TO EXCEED 1ms
 -DUTY CYCLE NOT TO EXCEED AVERAGE RATED POWER
 FREQUENCY RANGE & VSWR:
 DC TO 1 GHz AT 1.10:1 MAX.
 1 GHz TO 3 GHz AT 1.25:1 MAX.
 CONNECTOR: TNC MALE
 OPERATING POSITION: MOUNTING BRACKETS DOWN
 AMBIENT TEMPERATURE: -45°C TO +40°C
 OPERATING TEMPERATURE: -45°C TO +120°C
 HUMIDITY: 95% NON-CONDENSED
 WEIGHT: APPROX. 3.4 LBS
 MATERIALS: ALL RoHS COMPLIANT
 CONNECTOR BODY: BRASS
 HOUSING/COVER: ALUMINUM
 COOLING FIN: ALUMINUM
 CONTACT: BRASS OR BERYLLIUM COPPER
 INSULATOR: TEFLON (PTFE)
 FINISH: ALL RoHS COMPLIANT
 CONNECTOR BODY/HOUSING/COVER: TRI-METAL
 COOLING FIN: BLACK ANODIZE
 CONTACT: SILVER OR GOLD PLATED



OTHER MOUNTING PATTERNS
 AVAILABLE ON SPECIAL REQUEST

DIMENSIONS HEREON ARE FOR CUSTOMER
 CONVENIENCE AND REFERENCE ONLY.
 TOLERANCE TO BE APPLIED ONLY WHERE
 INDIVIDUALLY STATED ON THE RESPECTIVE
 DIMENSION. -DO NOT SCALE DRAWING-

UNLESS OTHERWISE SPECIFIED DIMENSIONS ARE IN INCHES
 TOLERANCES ARE:
 FRACTIONS ±1/64 DECIMALS .XX = ±.010
 .XXX = ±.005
 ANGLES ±30' MILLIMETERS .X = ±.4
 .XX = ±.12
 DO NOT SCALE DRAWING

APPROVALS		DATE
DRN	DMD	11-3-01
CHK		
APP		

		TITLE	
		TERMINATION, CONVECTION COOLED, TNC MALE, DC TO 3GHz, 100W	
C	FSCM NO. 70998	SCALE 1:1	DWG. NO. 100-T-MT
PROJ./LIB	AUTOCAD	COMM CODE LD1	SHEET 1 OF 1

4

3

2

1