

4

3

2

DWG. NO. 100-T-FE SHEET 1 REV C

1

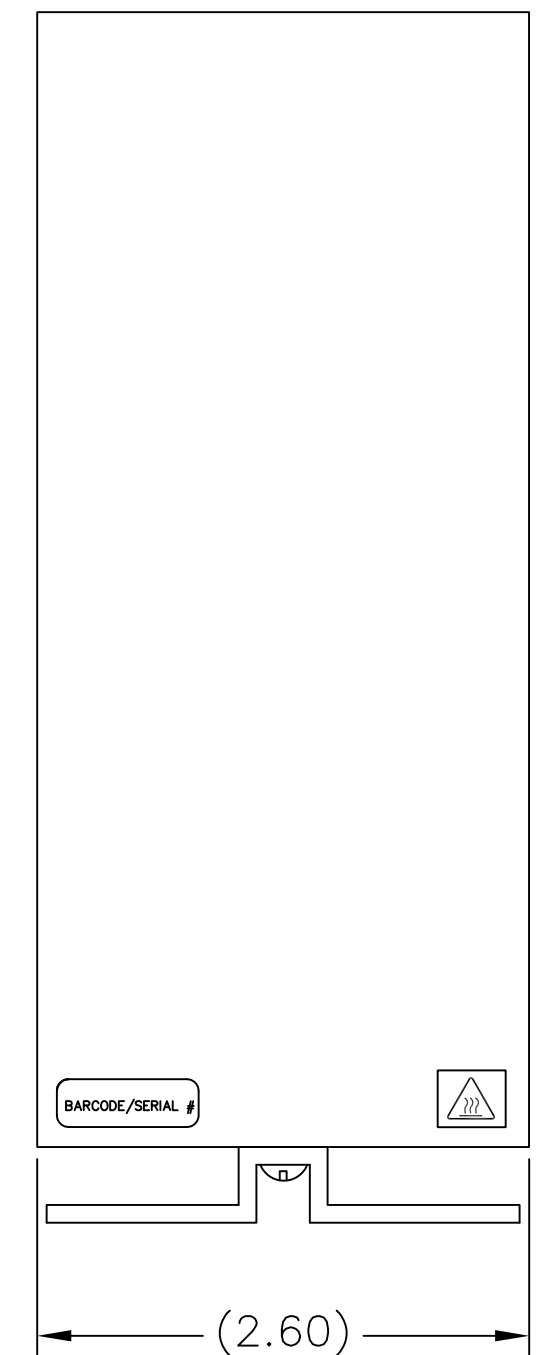
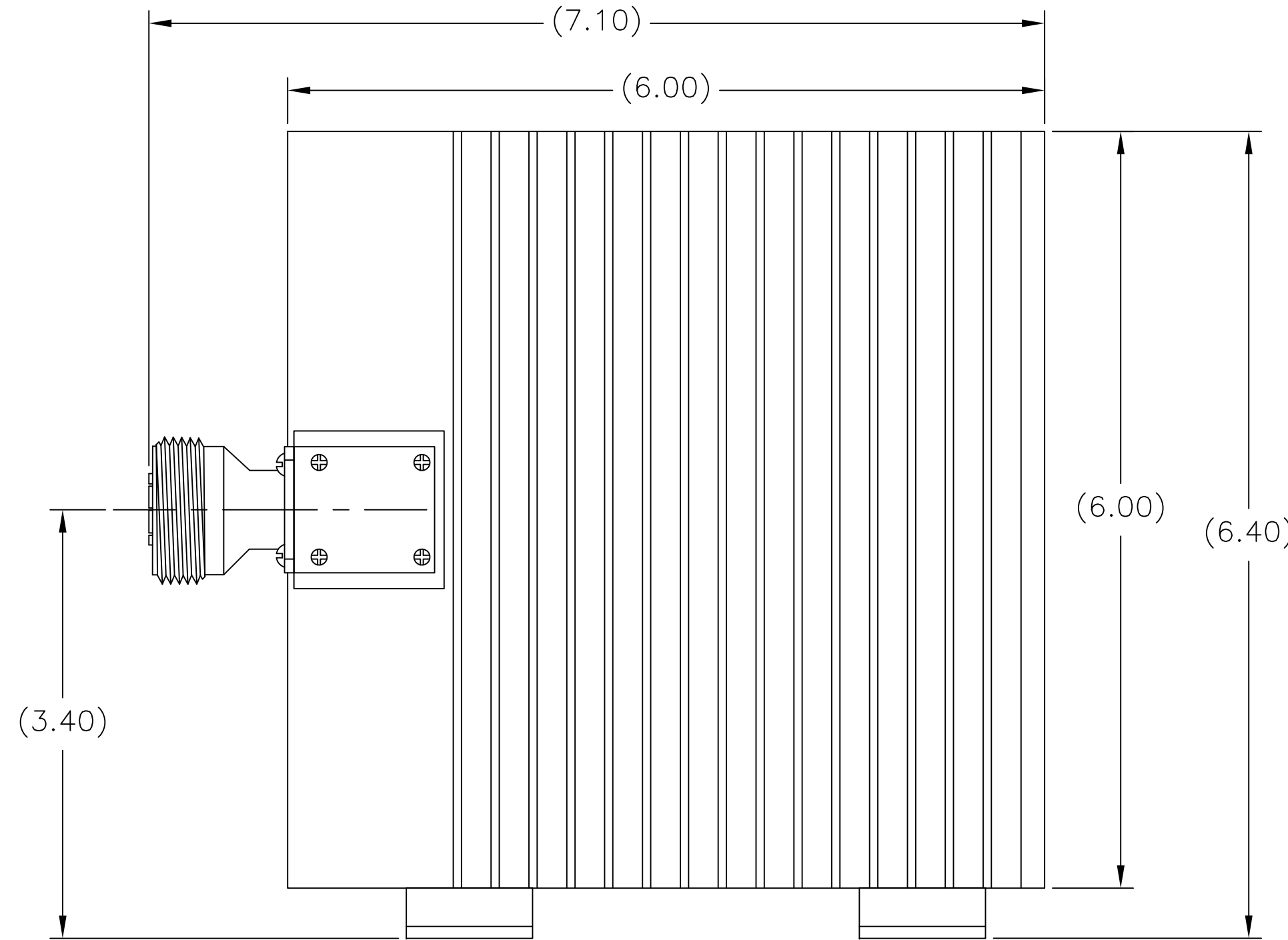
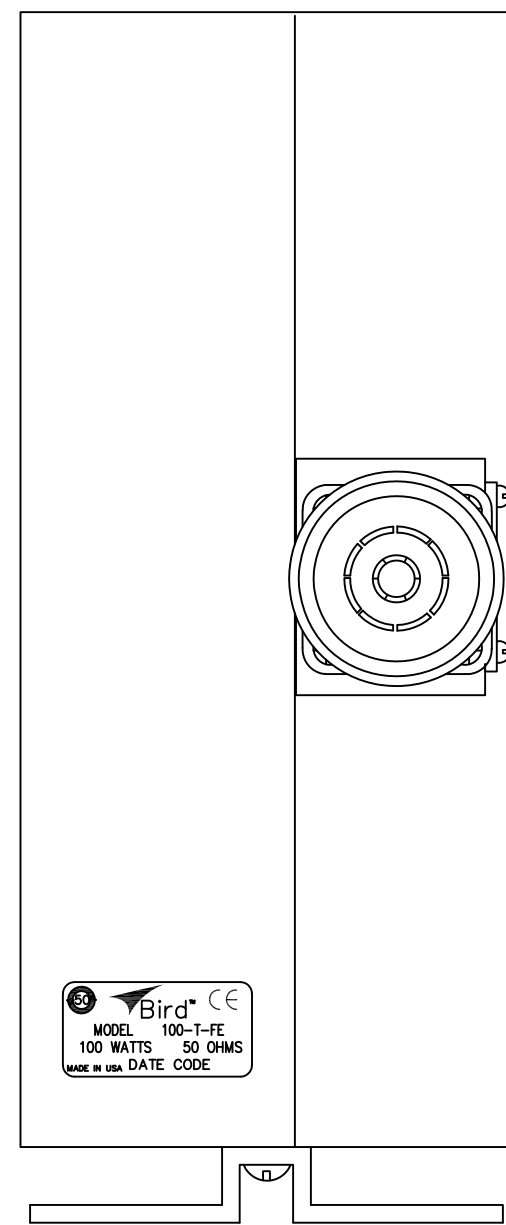
REVISIONS			
REV	DESCRIPTION	DATE	APPROVED
A	CONVERT TO BEC FORMAT	DMR 4-2-03	
B	REMOVE PRODUCT LABEL, REFORMAT/ECO 13425 dmr	2-25-09	DMD
C	FREQ RANGE TO 3GHz, UPDATE LABELING/DRAWING FORMAT ECO: 15851/DMD	12-1-15	<i>[Signature]</i>

D

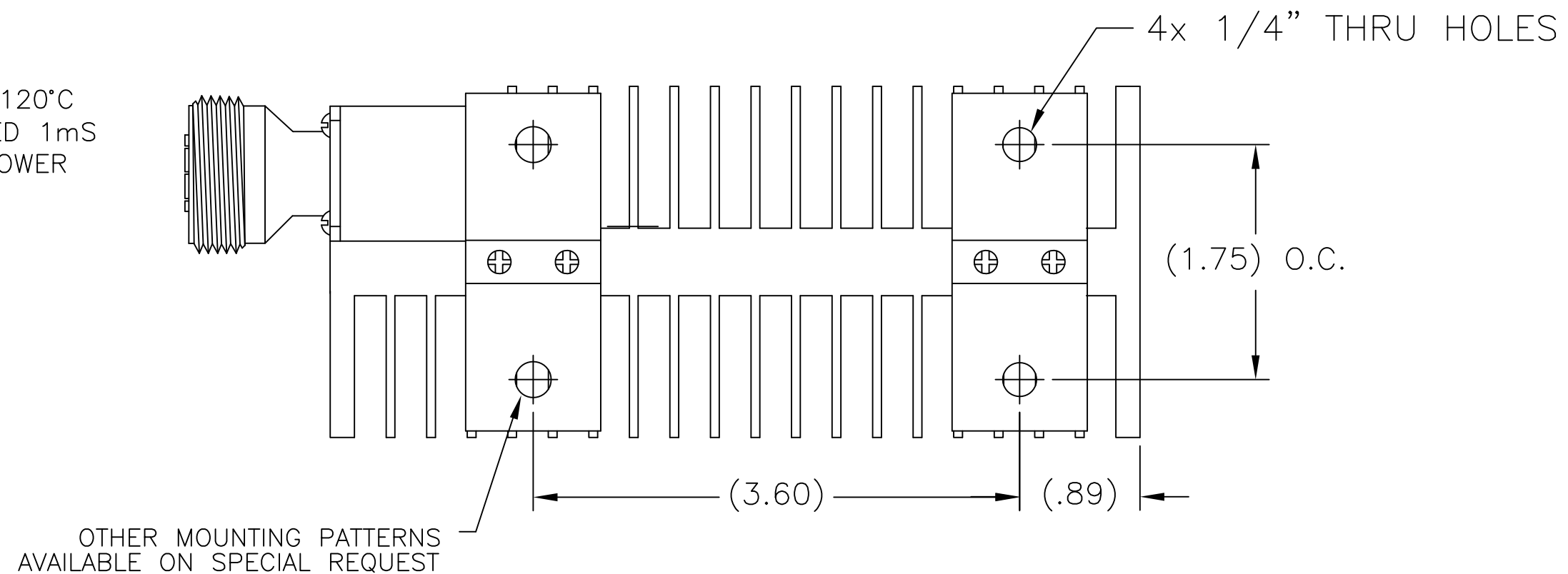
C

B

A



SPECIFICATIONS:
 IMPEDANCE: 50 OHMS NOMINAL
 POWER RATING: 100 CW AT 40°C
 125 CW AT 25°C
 -DERATED LINEARLY TO 0 WATTS FROM 40°C TO 120°C
 PEAK POWER: 2.5kW MAX, PULSES NOT TO EXCEED 1mS
 -DUTY CYCLE NOT TO EXCEED AVERAGE RATED POWER
 FREQUENCY RANGE & VSWR:
 DC TO 1 GHz AT 1.10:1 MAX.
 1 GHz TO 3 GHz AT 1.25:1 MAX.
 CONNECTOR: 7/16 DIN FEMALE
 OPERATING POSITION: MOUNTING BRACKETS DOWN
 AMBIENT TEMPERATURE: -45°C TO +40°C
 OPERATING TEMPERATURE: -45°C TO +120°C
 HUMIDITY: 95% NON-CONDENSED
 WEIGHT: APPROX. 3.5 LBS
 MATERIALS: ALL RoHS COMPLIANT
 CONNECTOR BODY: BRASS
 HOUSING/COVER: ALUMINUM
 COOLING FIN: ALUMINUM
 CONTACT: BRASS OR BERYLLIUM COPPER
 INSULATOR: TEFLON (PTFE)
 FINISH: ALL RoHS COMPLIANT
 CONNECTOR BODY/HOUSING/COVER: TRI-METAL
 COOLING FIN: BLACK ANODIZE
 CONTACT: SILVER OR GOLD PLATED



DIMENSIONS HEREON ARE FOR CUSTOMER CONVENIENCE AND REFERENCE ONLY. TOLERANCE TO BE APPLIED ONLY WHERE INDIVIDUALLY STATED ON THE RESPECTIVE DIMENSION. -DO NOT SCALE DRAWING-

UNLESS OTHERWISE SPECIFIED DIMENSIONS ARE IN INCHES
 TOLERANCES ARE:
 FRACTIONS ±1/64 DECIMALS .XX = ±.010 .XXX = ±.005
 ANGLES ±30' MILLIMETERS .X = ±.4 .XX = ±.12
 DO NOT SCALE DRAWING

APPROVALS		DATE
DRN	DMD	1-16-02
CHK		
APP		
MATERIAL	CODE	
FINISH	CODE	

Bird Technologies

TITLE: TERMINATION, CONVECTION COOLED, 7/16 DIN FEMALE, DC TO 3GHz, 100W

C	FSCM NO. 70998	SCALE 1:1	DWG. NO. 100-T-FE	REV C
PROJ./LIB	AUTOCAD	COMM CODE LD1	SHEET	1 OF 1

4

3

2

1