

4

3

2

DWG. NO. 100-T-MD SHEET 1 REV B

1

REVISIONS			
REV	DESCRIPTION	DATE	APPROVED
A	FINAL RELEASE ECO: R1612	7-17-14	DMD
B	UPDATE LABELING, ADD DERATING. ECO: 15851/DMD	12-2-15	

D

D

C

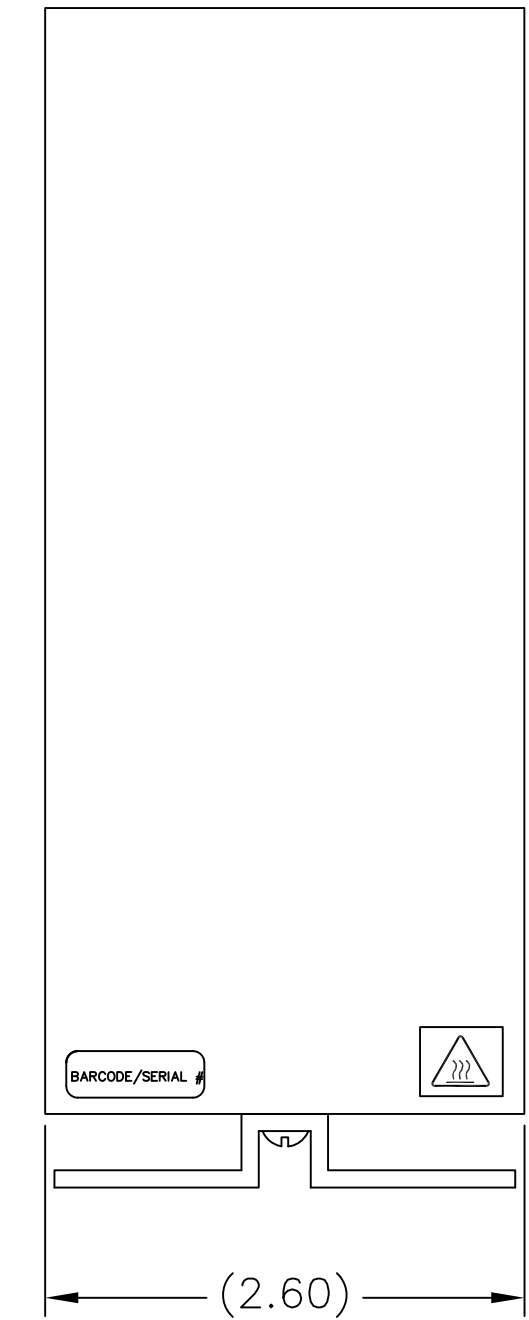
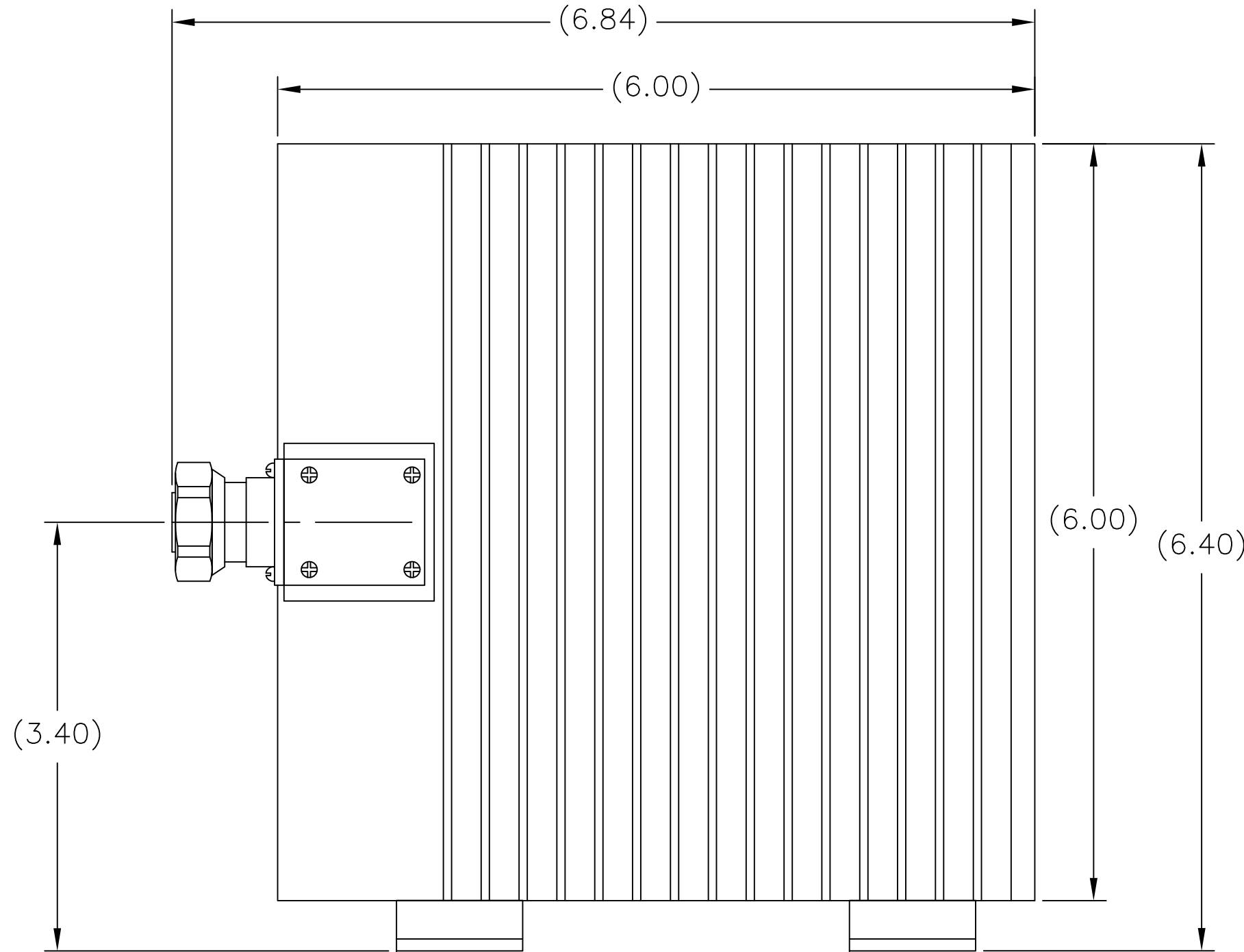
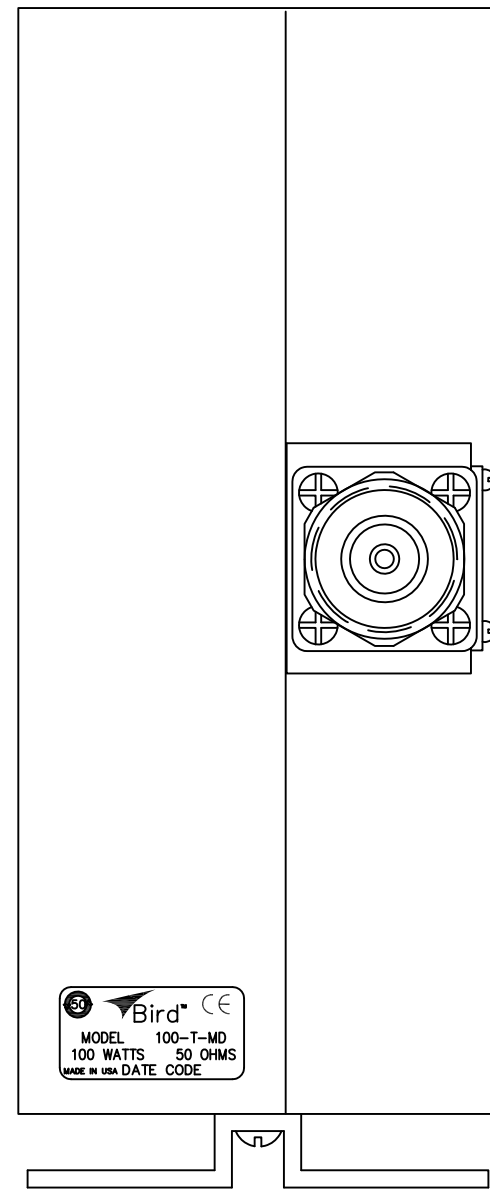
C

B

B

A

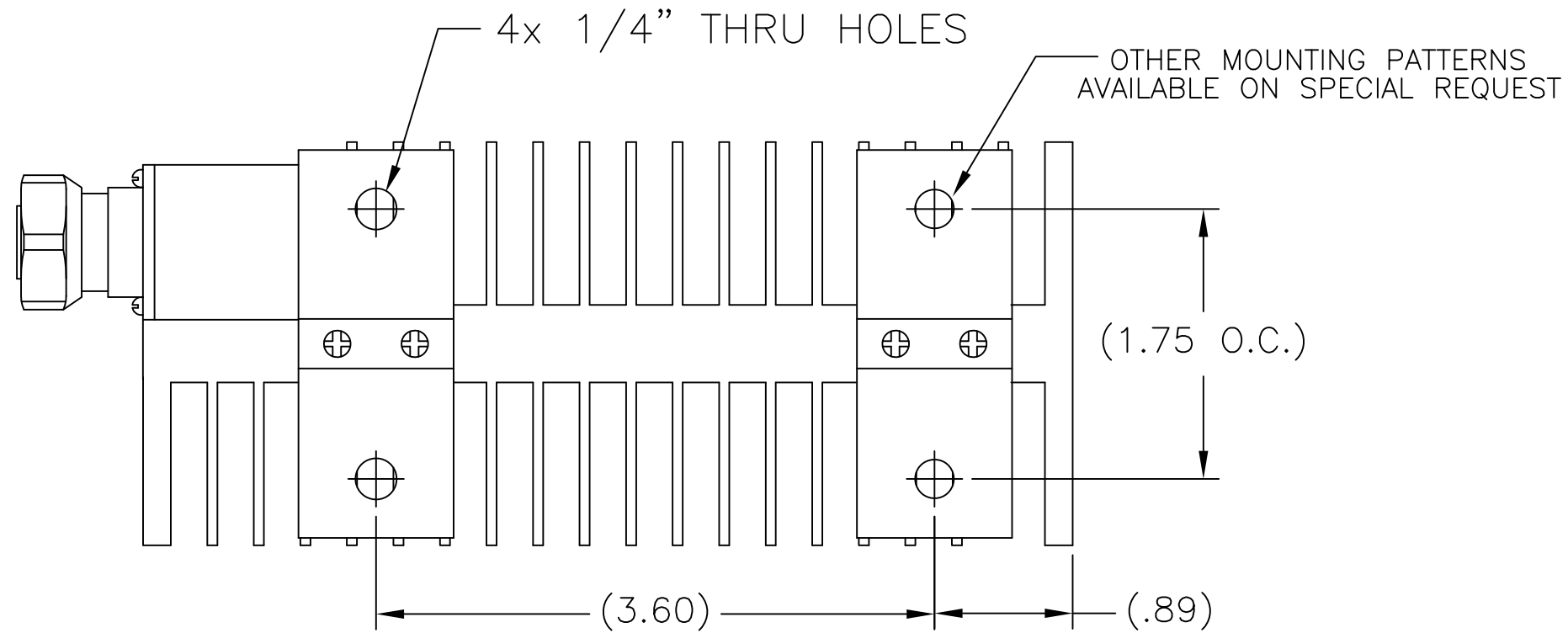
A



SPECIFICATIONS:

IMPEDANCE: 50 OHMS NOMINAL
 POWER RATING: 100 CW AT 40°C
 125 CW AT 25°C
 -DERATED LINEARLY TO 0 WATTS FROM 40°C TO 120°C
 PEAK POWER: 2.5kW MAX, PULSES NOT TO EXCEED 1ms
 -DUTY CYCLE NOT TO EXCEED AVERAGE RATED POWER
 FREQUENCY RANGE & VSWR:
 DC TO 1 GHz AT 1.10:1 MAX.
 1 GHz TO 3 GHz AT 1.25:1 MAX.
 CONNECTOR: 4.1/9.5 MINI DIN MALE
 OPERATING POSITION: ANY
 AMBIENT TEMPERATURE: -45°C TO +40°C
 OPERATING TEMPERATURE: -45°C TO +120°C
 HUMIDITY: 95% NON-CONDENSED
 WEIGHT: APPROX. 3.4 LBS

MATERIALS: ALL RoHS COMPLIANT
 CONNECTOR BODY/COUPLING NUT: BRASS
 HOUSING/COVER: ALUMINUM
 COOLING FIN: ALUMINUM
 CONTACT: BRASS OR BERYLLIUM COPPER
 INSULATOR: TEFLON (PTFE)
 FINISH: ALL RoHS COMPLIANT
 CONNECTOR BODY/HOUSING: TRI-METAL
 HOUSING/COVER: TRI-METAL
 COOLING FIN: BLACK ANODIZE
 CONTACT: SILVER OR GOLD PLATED



UNLESS OTHERWISE SPECIFIED DIMENSIONS ARE IN INCHES TOLERANCES ARE: FRACTIONS ±1/64 DECIMALS .xx = ±.010 .xxx = ±.005 ANGLES ±30' MILLIMETERS .x = ±.4 .xx = ±.12 DO NOT SCALE DRAWING	APPROVALS	DATE	
	DRN DMD	7-17-14	
	CHK DMD	7-21-14	
	APP DMD	7-21-14	
THIS DRAWING IS THE PROPERTY OF THE BIRD TECHNOLOGIES GROUP OR BIRD ELECTRONIC CORPORATION. THE DESIGNS AND SPECIFICATIONS DISCLOSED HEREON ARE PROPRIETARY AND SHALL NOT BE REPRODUCED, NOR COPIED, NOR USED AS THE BASIS FOR THE MANUFACTURE OR SALE OF APPARATUS OR DEVICES WITHOUT THEIR EXPRESS WRITTEN CONSENT.	MATERIAL	CODE	TITLE
			TERMINATION, CONVECTION COOLED, 4.1/9.5 MINI DIN MALE, DC-3GHz, 100W
	FINISH	CODE	C FSCM NO. 70998 SCALE 1:1 DWG. NO. 100-T-MD REV B PROJ./LIB AUTOCAD COMM CODE LD1 SHEET 1 OF 1

4

3

2

1